

# Solvent Selection Valve (SSV) Upgrade Kit

## Installation Note

This kit is compatible with 1260 Infinity III Binary Pumps, Model G7112B.

## Installation of the Solvent Selection Valve Upgrade Kit

A solvent selection valve allows you to choose between four different solvents that can be used with a binary pump. The valve switches between two solvents A1 and A2 for channel A of the left pump head and two solvents B1 and B2 for channel B of the right pump head.

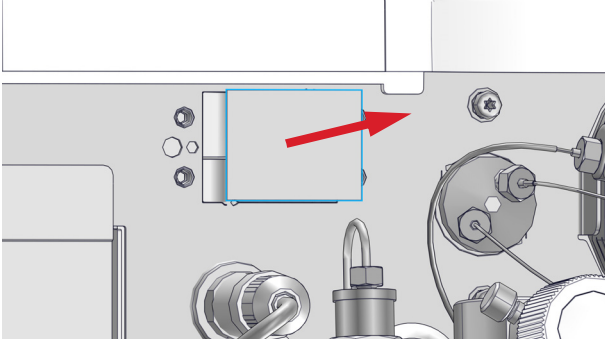
Tools required	p/n	Description
	8710-0899	Screwdriver Pozidrive Shaft

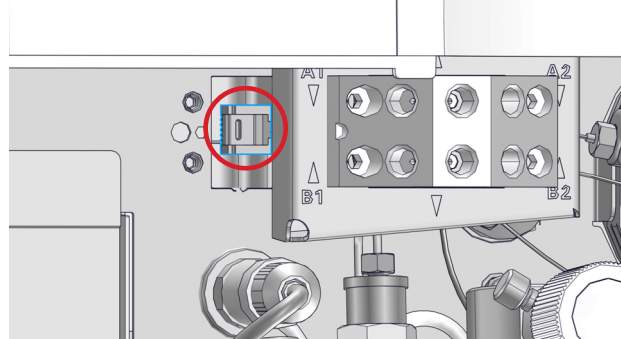
Parts required	#	p/n	Description
	1	G1381-60001	Solvent Selection Valve Upgrade Kit includes:
	1		Valve Assembly (1 Valve Holder, 1 Cable, 1 Cable Holder, 4 Screws, 4 Plugs)
	2		Bottles
	2		Bottle Heads
	2		Tubings
	1		Distance sheet SSV

**Preparations** Remove the solvent tubes from the Degasser

**1** Break out the metal sheet piece to get access to the connection socket inside (behind the pump front metal panel).

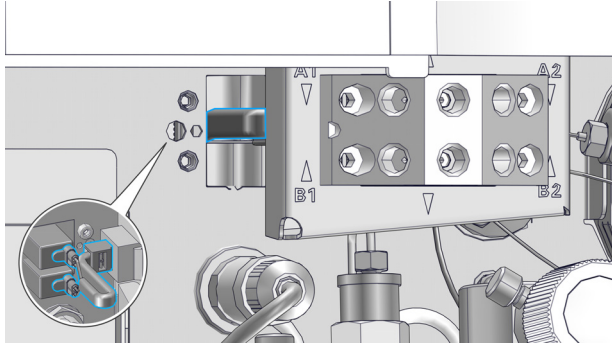


**2** Guide the SSV cable through the slots in the distance sheet and route it through the slot in the pump front metal panel to the internal connection socket.

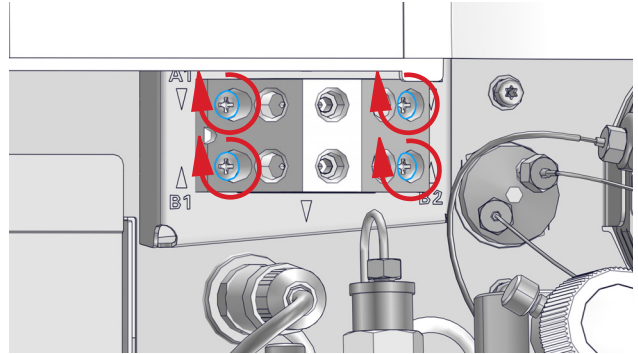


## Installation of the Solvent Selection Valve Upgrade Kit

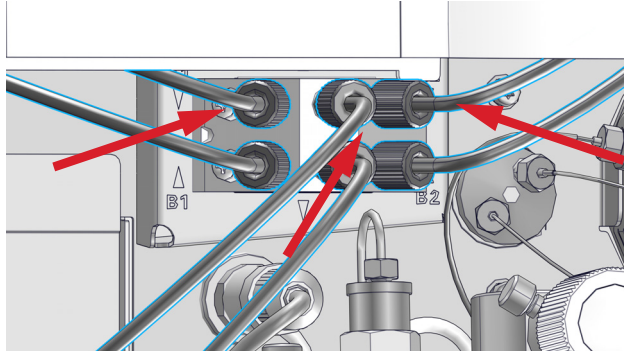
**3** Carefully plug in the connector of the solvent selection valve into the internal connection socket on the left side of the slot behind the pump front metal panel.



**4** Install the solvent selection assembly by fixing the indicated screws with distance sheet under the SSV body.



**5** Connect the outlet of solvent A (upper row) to the top degasser inlet and the outlet of solvent B (lower row) to the bottom degasser inlet. Put the solvent bottles into the solvent cabinet. Connect the bottle heads of solvents A1 and A2 to the inlets in the upper row, see labels on valve assembly. Connect the bottle heads of solvents B1 and B2 to the inlets in the lower row, see labels on valve assembly.



### NOTE

Block unused channels of the SSV using a plug (Blank plug (5041-8365)) to avoid leaks or air entering the solvent channels.

### NOTE

Before using of the system with a new installed valve it may be required to pump several mL of solvent to get the flow stabilized at a pressure ripple as low as it used to be when the system was still working properly.

The information in this document also applies to Infinity II modules.



Manual Part Number: G7112-90120 Rev. B

Edition: 10/2024

Document No: SD-29002428 Rev. B

Printed in Germany

© Agilent Technologies, Inc 2018-2024

Agilent Technologies, Inc  
Hewlett-Packard-Strasse 8  
76337 Waldbronn  
Germany