



Agilent 1260 Infinity III Max Uptime Kit

Technical Note

The Agilent 1260 Infinity III Max Uptime Kit is for Agilent 1260 Infinity III Systems.



Agilent Technologies

Max Uptime Kit

1260 Infinity III Max Uptime Kit (G7111-68707):

#	p/n	Description
1	01018-22707	PTFE frits (pack of 5)
1	0890-1763	Capillary PK 0.18 mm x 1.5 m
3	5022-2184	Union, stand LD flow, no fitting
2	5041-2168	Solvent inlet filter, 20 µm pore size
1	5065-4426	Colored finger-tight PEEK fittings, 10/PK
3	5500-1193	Capillary ST 0.17 mm x 105 mm, long socket (Connection from Heat Exchanger to Column)
1	5500-1217	Capillary ST 0.17 mm x 900 mm SI/SX ps-ps (Connection from pump to ALS (with ICC))
2	5500-1246	Capillary ST 0.17 mm x 500 mm SI/SI (Connection from pump to Sampler (with MCT) or from Sampler to heat exchanger)
2	5500-1250	Capillary ST 0.17 mm x 120 mm SL/SL Long Socket (Connection from Sampler valve to ICC or Column to MCT valve)
1	5959-3887	Ship Container
1	5971-5210	Assortment Box
1	8710-1930	Plastic tubing cutter
1	8710-2391	Rheotool socket wrench ¼ inch
1	5500-1191	Capillary ST 0.12 mm x 280 mm, long socket (Connection to Detector)
6	G7167-68703	Fitting Intermediate Kit (p/n for re-order: 5005-0068 Stainless steel fittings intermediate 10/pack)
1	G7111-90120	Technical Note 1260 Infinity III Max Uptime Kit

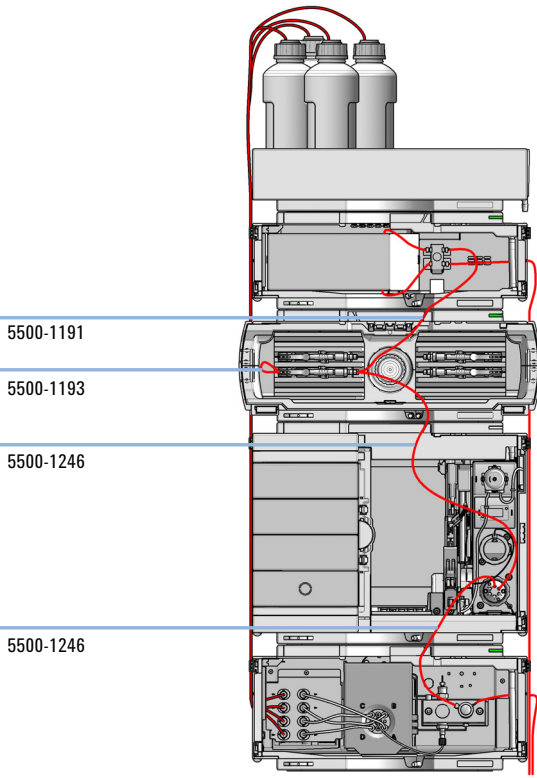


Figure 1 Capillary Connections (Stack with Multisampler / MCT)

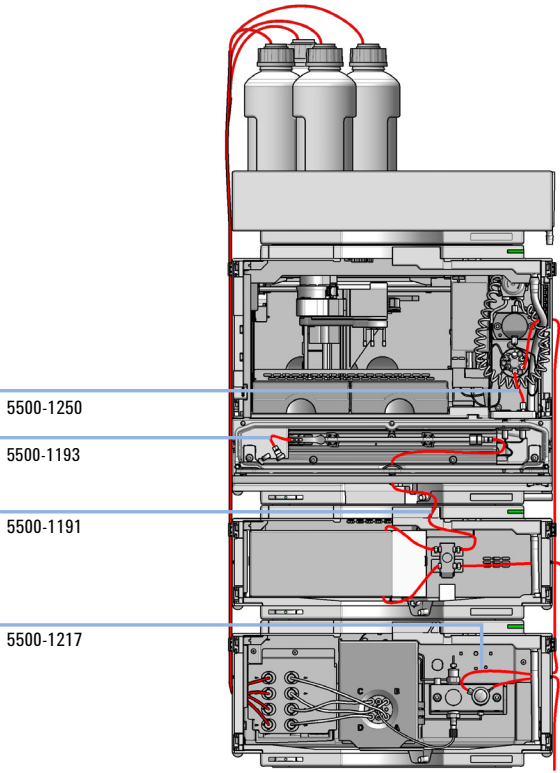


Figure 2 Capillary Connections (Stack with Vial Sampler / ICC)

The information in this document also applies to Infinity II modules.

www.agilent.com

©Agilent Technologies Inc. 2016-2024

Printed in Germany

Edition: 10/2024



Part No: G7111-90120 Rev. B

Document No: SD-29000351 Rev. B

