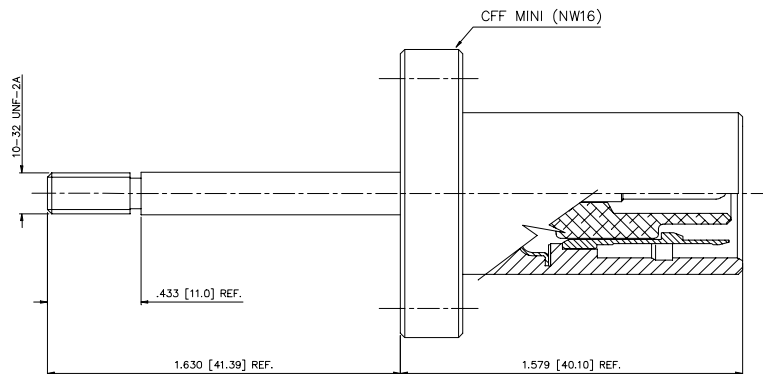




Agilent high voltage feedthroughs are rated up to 12kV.

Model is available equipped with a stainless steel Mini-ConFlat® flange.

12KV F/T FISCHER



Specifications

12kV F/T Fischer	Model Number 959-5125
Voltage rating (below 10^{-4} Torr/mbar)	12kV F/T Fischer
Current rating	1A maximum
Temperature bakeout range	-196°C to +450°C
Body material	Stainless steel
Mounting flange	1.33"O.D. mini (NW16)
Mating connector external side	929-0705 H.V. radiation cable with interlock and Fischer F/T C.U. side
	929-0706 H.V. radiation cable with interlock and king F/T C.U. side

DISPOSAL

Meaning of the "WEEE" logo found in labels

The following symbol is applied in accordance with the EC WEEE (Waste Electrical and Electronic Equipment) Directive. This symbol (**valid only in countries of the European Community**) indicates that the product it applies to must NOT be disposed of together with ordinary domestic or industrial waste but must be sent to a differentiated waste collection system. The end user is therefore invited to contact the supplier of the device, whether the Parent Company or a retailer, to initiate the collection and disposal process after checking the contractual terms and conditions of sale.

