



Agilent high voltage feedthroughs are rated up to 12 kV.

Models are available equipped with a stainless steel skirt for welding into vacuum chambers or with a Mini-ConFlat® or 2 3/4" ConFlat flange.

All dimensions inches (mm)



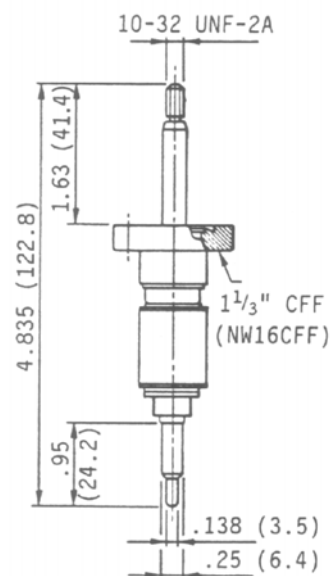
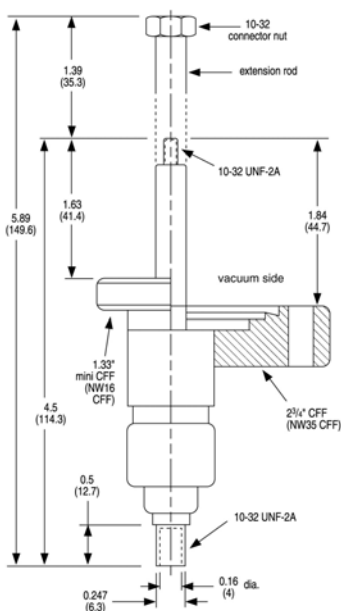
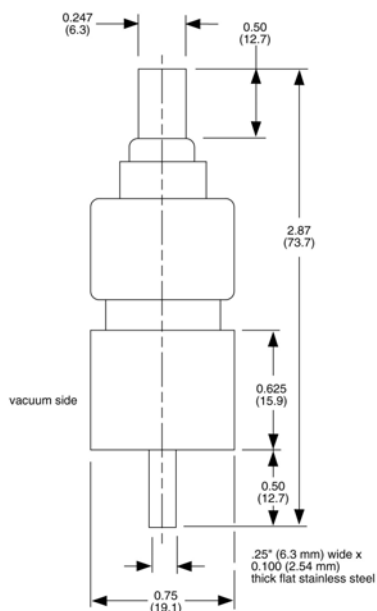
Model 954-0006



Model 954-5143 and 954-5119



Model 959-5120



## SPECIFICATIONS

Feedthrough model number	954-50006	954-5143 on 1 1/3" Mini CFF® 954-5119 on 2 3/4" CFF®	959-5120
Voltage rating (below 10 <sup>-4</sup> Torr/mbar)	12 kV maximum		
Current rating	10A maximum		
Temperature bakeout range	-196°C to + 450°C		
Conductor	Stainless Steel rod 0.25" (6.4 mm) Ø external 0.25" wide x 0.1" thick flat (6.4x2.5mm)	0.25" (6.4 mm) Ø stainless steel rod	
Mounting flange	without flange	1.33" OD (NW16) (Mini) or 2.75" OD (NW 35) ConFlat flange	1.33" OD (NW16) Mini ConFlat flange
Mating connector Vacuum side	-----	Provided items : SST nut 00-641133-60 Extens. rod 00-6183737-01	-----
Mating connector External side	Not provided items : Spring garter 00-601410-01 Bakeable (250°C) connector & cable 929-0736 Non-bakeable connector & cable 924-0750 Connector 03-638924A		Not provided items : Spring garter 00-601410-01 Cable to power unit 929-0770  Cable to power unit, 10 mt, 03.642700-04 Cable & adapter to control unit 929-0775  Cable & adapter to control unit, 10 mt, 03.642700-05 Connector only 03.642700A
Body material	Stainless steel		
Weight	1 lb - 0.45 kg	2 lb average - 0.9 kg	2.4 lb - 1.0 kg

## DISPOSAL

### Meaning of the "WEEE" logo found in labels

The following symbol is applied in accordance with the EC WEEE (Waste Electrical and Electronic Equipment) Directive. This symbol (**valid only in countries of the European Community**) indicates that the product it applies to must NOT be disposed of together with ordinary domestic or industrial waste but must be sent to a differentiated waste collection system. The end user is therefore invited to contact the supplier of the device, whether the Parent Company or a retailer, to initiate the collection and disposal process after checking the contractual terms and conditions of sale.

