



**Agilent Technologies**

Innovating the HP Way

*5973Network*

Mass Selective Detector

# Hardware Manual

All Rights Reserved.  
Reproduction, adaptation, or  
translation without prior  
written permission is  
prohibited, except as allowed  
under the copyright laws.

## Document History

Publication number  
G2589-90001

First edition, 11/99  
Printed in USA

## Warranty

The information contained in  
this document is subject to  
change without notice.

Agilent Technologies makes no  
warranty of any kind with  
regard to this material,  
including, but not limited to,  
the implied warranties of  
merchantability and fitness for  
a particular purpose.

Agilent Technologies shall not  
be liable for errors contained  
herein or for incidental or  
consequential damages in  
connection with the  
furnishing, performance or use  
of this material.

Agilent Technologies assumes  
no responsibility for the use or  
reliability of its software on  
equipment that is not  
furnished by Agilent  
Technologies.

## Noise Declaration

### Deutsch

LpA << 70 dB am Arbeitsplatz  
normaler Betrieb nach EN  
27779:1991

### English

LpA << 70 dB operator  
position normal operation per  
ISO 7779:1988

## Instrument Identification

Each 5973N Mass Selective  
Detector (MSD) is identified  
by a unique 10-character serial  
number. This serial number is  
located on a label on the lower  
left side near the front of the  
instrument (see page 9). On  
CI upgrades, a serial number is  
located under the cover of the  
flow module.

When corresponding with  
Agilent Technologies about  
your instrument, be sure to  
include the model number and  
both full 10-character serial  
numbers.

Write the serial number of  
your 5973N MSD here for  
reference:

-----

### 5973N MSD version

5973N MSDs are equipped  
with either a diffusion pump or  
one of two turbomolecular  
(turbo) pumps. Chemical  
Ionization is available for the  
turbo MSDs only. The serial  
number label displays a  
product number that tells  
what kind of MSD you have:

G2577A	Diffusion Pump EI MSD
G2578A	Standard turbo EI MSD
G2579A	Performance turbo EI MSD
G2588A	Standard turbo EI/ PCI MSD
G2589A	Performance turbo EI/PCI/NCI MSD

## Manual Conventions

### Cautions

Cautions call attention to  
procedures which, if not  
correctly performed or  
adhered to, could result in  
**damage to the instrument.**

### Warnings

Warnings call attention to  
procedures which, if not  
correctly performed or  
adhered to, could result in  
**personal injury.**

### Part Numbers

In this manual, Agilent  
Technologies part numbers  
are generally listed in  
parentheses after the name of  
the part or in tables in the  
*Parts* chapter. Most part  
numbers are either four-digit-  
by-four-digit (1234-1234)  
numbers or five-digit-by-five-  
digit (12345-12345) numbers.

A few tools and supplies listed  
have no part numbers and are  
not available from Agilent  
Technologies. Most of these  
can be obtained from  
laboratory supply companies.

## Safety Information

### Safety Symbols (on equipment)



Refer to operating  
instructions



Indicates hazardous  
voltage



Indicates hot surface



Indicates earth  
(ground) terminal

## Safety class

The 5973N Mass Selective  
Detector (MSD) is a Safety  
Class I instrument and has  
been designed and tested in  
accordance with IEC  
Publication 1010-1 Safety  
Requirements for Electrical  
Equipment for Measurement,  
Control, and Laboratory Use.

### WARNING

Connecting an MSD to a power  
source which is not equipped  
with a protective earth contact  
creates a shock hazard for the  
operator and can damage the  
instrument. Likewise,  
interrupting the protective  
conductor inside or outside  
the MSD or disconnecting the  
protective earth terminal  
creates a shock hazard for the  
operator and can damage the  
instrument.

### WARNING

Make sure that only fuses with  
the required current rating  
and of the specified type are  
used for replacement. The use  
of incorrect or makeshift fuses  
or the short-circuiting of fuse  
holders creates a shock hazard  
for the operator and can  
damage the instrument.

### WARNING

Any adjustment, maintenance  
or repair of the opened  
instrument while it is  
connected to a power source  
should be avoided if possible  
and, if required, should be  
carried out only by trained  
persons who are aware of the  
hazards involved.

*Safety Information* is contin-  
ued on the inside of the back  
cover.

---

*5973Network*  
Mass Selective Detector

---

Hardware Manual

---

# In This Manual

This manual describes the operation, troubleshooting, and maintenance of the Agilent Technologies 5973*Network* Mass Selective Detector (5973N MSD)

## ***5973N MSD Version***

5973N MSDs are equipped with either a diffusion pump or one of two turbomolecular (turbo) pumps. Chemical Ionization is available for the turbo pump MSDs only. The serial number label displays a product number that tells what kind of MSD you have. In this manual, the term “CI MSD” applies to both the EI/PCI MSD and the EI/PCI/NCI MSD.

Model number	Description
G2577A	Diffusion Pump EI MSD
G2578A	Standard turbo EI MSD
G2579A	Performance turbo EI MSD
G2588A	Standard turbo EI/PCI MSD
G2589A	Performance turbo EI/PCI/NCI MSD

- Chapter 1 shows you how to prepare and install a capillary column.
- Chapter 2 describes basic tasks such as setting temperatures, monitoring pressures, tuning, and venting, and pumpdown.
- Chapter 3 describes basic tasks necessary to operate a CI MSD in CI mode.
- Chapter 4 provides a quick reference for identifying causes of poor instrument performance or malfunctions.
- Chapter 5 provides a quick reference for identifying problems unique to CI MSDs.
- Chapter 6 features maintenance procedures.
- Chapter 7 features maintenance procedures unique to CI MSDs.

- Chapter 8 describes operation of the components of the vacuum system.
- Chapter 9 describes the GC/MSD interface, and the CI flow module.
- Chapter 10 describes operation of the analyzer (ion source, mass filter, and detector).
- Chapter 11 describes the electronics that control the MSD.
- Chapter 12 contains illustrated parts identification and part numbers.
- Appendix A is an overview of chemical ionization theory.

For updated information, check the Agilent Technologies Chemical Analysis web site at <http://www.agilent.com/chem>.

### ***Other User Information***

#### ***5973 Mass Selective Detector Reference Collection***

This CD-ROM includes the following multimedia resources:

- Software tutorial: hands-on training
- 5968-7358E 5973Network Mass Selective Detector Specifications
- Mass Spectrometer Fundamentals: *Mass spectrometer hardware*, and *Acquiring and evaluating (mass) spectra*

---

# The 5973Network MSD

## ***The 5973N MSD is a stand-alone capillary GC detector***

The 5973N Mass Selective Detector (MSD) is designed for use with the 6890 Plus Series Gas Chromatograph. The MSD features:

- Control panel for locally monitoring and operating the MSD
- One of three different high vacuum pumps
- Rotary vane foreline pump
- Independently heated electron-ionization ion source
- Independently heated hyperbolic quadrupole mass filter
- High-energy dynode (HED) electron multiplier detector
- Independently heated GC/MSD interface
- Chemical ionization (EI/PCI or EI/PCI/NCI) models available

## ***Physical description***

The 5973N MSD is a rectangular box, approximately 42 cm high, 26 cm wide, 65 cm deep. The weight is 25 kg for the diffusion pump mainframe, 26 kg for the standard turbo pump mainframe and 29 kg for the performance turbo pump mainframe. The attached rough pump weighs an additional 11 kg.

The basic components of the instrument are: the frame/cover assemblies, the control panel, the vacuum system, the GC interface, the electronics, and the analyzer.

## ***The control panel allows local monitoring and operation of the MSD***

The control panel acts as a local user interface to the MSD. You can perform some basic tasks such as running a tune, a method, or a sequence; and monitor MSD status from the control panel.

***An optional gauge controller is available for measuring vacuum***

The 5973N MSD is equipped with a triode ionization gauge tube. With an 59864B Gauge Controller, the tube can be used to measure pressure (high vacuum) in the vacuum manifold. Installation and operation of the gauge controller is described in this manual.

The gauge controller is **required** for chemical ionization (CI) operation.

**5973N MSD models and features**

<b>Feature</b>	<b>G2577A</b>	<b>G2578A</b>	<b>G2579A</b>	<b>G2588A</b>	<b>G2589A</b>
High vac pump	Diffusion pump	Standard turbo	Performance turbo	Standard turbo	Performance turbo
Optimal He column flow ml/min	1	1	1 to 2	1	1 to 2
Maximum recommended gas flow, ml/min <sup>a</sup>	1.5	2.0	4	2.0	4
Maximum gas flow, ml/min <sup>b</sup>	2	2.4	6.5	2.4	6.5
Max column id	0.25 mm (30 m)	0.32 mm (30m)	0.53 mm (30 m)	0.32 mm (30 m)	0.53 mm (30 m)
CI capability	no	no	no	PCI	PCI/NCI
DIP capability (3rd Party)	yes	yes	yes	no	no

a. Total gas flow into the MSD: column flow plus reagent gas flow (if applicable).

b. Expect degradation of spectral performance and sensitivity.

## CI MSD hardware description

In this manual, the term “CI MSD” applies to both the EI/PCI MSD and the EI/PCI/NCI MSD. The CI hardware allows the 5973N MSD to produce high-quality, classical CI spectra, which include molecular adduct ions. A variety of reagent gases can be used.

The 5973N CI system adds to the 5973N MSD:

- Redesigned EI/CI GC/MSD interface
- CI ion source and interface tip seal
- Reagent gas flow control module
- Bipolar HED power supply (for PCI/NCI MSDs *only*)
- A methane/isobutane gas purifier is provided, and is required. It removes oxygen, water, hydrocarbons, and sulfur compounds.

A high vacuum gauge controller (59864B) is **required** for CI MSDs.

To achieve the relatively high source pressure required for CI while still maintaining high vacuum in the quadrupole and detector, the MSD CI system has been carefully optimized. Special seals along the flow path of the reagent gas and very small openings in the ion source keep the source gases in the ionization volume long enough for the appropriate reactions to occur.

The EI/CI interface has special plumbing for reagent gas. A spring-loaded insulating seal fits onto the tip of the interface.

Switching back and forth between CI and EI takes less than an hour, although a 1- to 2-hour wait is **required** in order to purge the reagent gas lines and bake out water and other contaminants. Switching from PCI to NCI requires about 2 hours for the ion source to cool.



6890 Series  
ALS tower

6890 Series  
ALS tray

59864B High Vacuum Gauge  
Controller

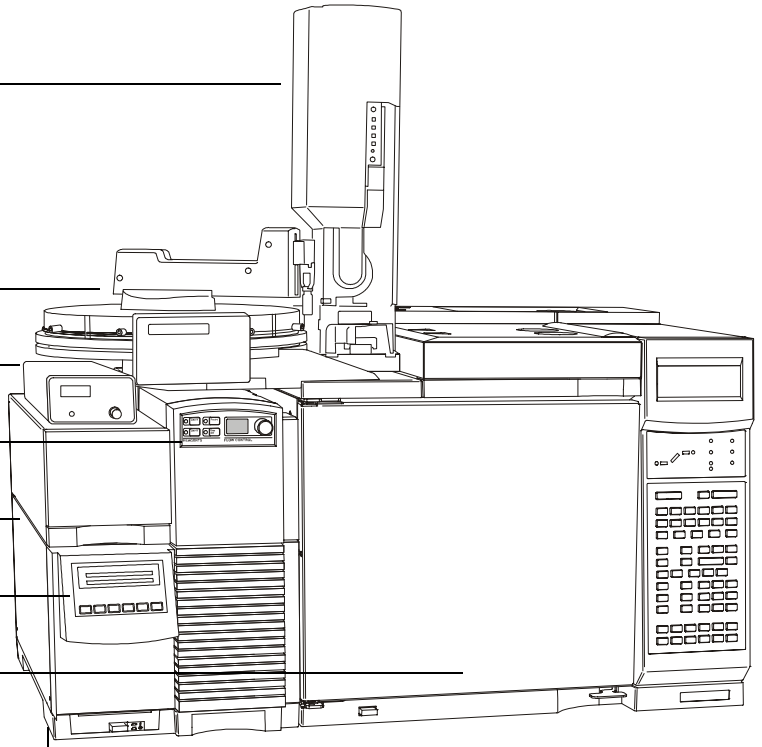
CI gas flow module  
(EI/PCI and EI/PCI/NCI MSDs only)

5973N  
Mass Selective Detector

5973N MSD control panel

6890 Plus  
Gas Chromatograph

5973N MSD serial number  
sticker





---

# Table of Contents

## **Chapter 1      Installing GC Columns**

- To prepare a capillary column for installation, 22
- To install a capillary column in a split/splitless inlet, 24
- To condition a capillary column, 26
- To install a capillary column in the GC/MSD interface, 28
- To install a capillary column using the installation tool, 30

## **Chapter 2      Operating the MSD**

- To view MSD analyzer temperature and vacuum status, 38
- To set monitors for MSD temperature and vacuum status, 40
- To set the MSD analyzer temperatures, 42
- To set the GC/MSD interface temperature from the PC, 44
- To monitor high vacuum pressure, 46
- To measure column flow linear velocity, 48
- To calculate column flow, 49
- To tune the MSD, 50
- To verify system performance, 51
- To remove the MSD covers, 52
- To vent the MSD, 54
- To open the analyzer chamber, 56
- To close the analyzer chamber, 58
- To pump down the MSD, 60
- To pump down the CI MSD, 62
- To connect the gauge controller, 63
- To move or store the MSD, 65
- To set the interface temperature from a 6890 Plus GC, 67
- To vent the MSD without the ChemStation, 68

**Chapter 3**

**Operating the CI MSD**

- To switch from EI to CI operating mode, 72
- To set up the software for CI operation, 73
- To operate the reagent gas flow control module, 74
- To set up methane reagent gas flow, 76
- CI autotune, 78
  - To perform a positive CI autotune (methane only), 80
  - To perform a negative CI autotune (any reagent gas), 82
- To verify positive CI performance, 84
- To verify negative CI performance, 85
- To monitor high vacuum pressure, 86
  - Typical pressure readings, 87
- To use other reagent gases, 88
  - Isobutane CI, 90
  - Ammonia CI, 90
  - Carbon dioxide NCI, 91
- To switch from CI to EI operating mode, 92

**Chapter 4**

**Troubleshooting the MSD**

- General symptoms, 96
  - GC does not turn on, 96
  - MSD does not turn on, 96
  - Foreline pump is not operating, 96
  - MSD turns on but then the foreline pump shuts off, 97
  - Control panel says “No server found”, 97
- Chromatographic symptoms, 98
  - No peaks, 98
  - Peaks are tailing, 99
  - Peaks are fronting, 99
  - Peaks have flat tops, 100
  - Peaks have split tops, 100
  - Baseline is rising, 100
  - Baseline is high, 100
  - Baseline is falling, 100
  - Baseline wanders, 101
  - Retention times for all peaks drift – shorter, 101
  - Retention times for all peaks drift – longer, 101
  - Poor sensitivity, 102
  - Poor Repeatability, 102

- Mass spectral symptoms, 103
    - No peaks, 103
    - Isotopes are missing or isotope ratios are incorrect, 103
    - High background, 103
    - High abundances at  $m/z$  18, 28, 32, and 44 or at  $m/z$  14 and 16, 104
    - Mass assignments are incorrect, 104
    - Peaks have precursors, 104
    - Peak widths are inconsistent, 104
    - Relative abundance of  $m/z$  502 is less than 3%, 105
    - Spectra look different from those acquired with other MSDs, 105
    - High mass sensitivity is poor, 106
  - Pressure symptoms, 107
    - Foreline pressure is too high, 107
    - Analyzer chamber pressure is too high (EI operating mode), 107
    - Foreline pressure is too low, 108
    - Analyzer chamber pressure is too low, 108
    - Gauge controller displays 9.9+9 and then goes blank, 108
    - Power indicator on the gauge controller does not light, 109
  - Temperature symptoms, 110
    - Ion source will not heat up, 110
    - Mass filter (quad) heater will not heat up, 111
    - GC/MSD interface will not heat up, 111
  - Error messages, 112
    - Difficulty in mass filter electronics, 112
    - Difficulty with the electron multiplier supply, 112
    - Difficulty with the fan, 113
    - Difficulty with the HED supply, 113
    - Difficulty with the high vacuum pump, 113
    - Foreline pressure has exceeded 300 mTorr, 114
    - Internal MS communication fault, 114
    - Lens supply fault, 114
    - Log amplifier ADC error, 114
    - No peaks found, 114
    - Temperature control disabled, 115
    - Temperature control fault, 115
    - The high vacuum pump is not ready, 116
    - The system is in standby, 116
    - The system is in vent state, 117
    - There is no emission current, 117
    - There is not enough signal to begin tune, 117
  - Air leaks, 118
  - Contamination, 119
-

**Chapter 5**

**CI Troubleshooting**

- Troubleshooting tips and tricks, 123
- Air leaks, 124
  - How do I know if I have an air leak?, 124
  - How do I find the air leak?, 126
- Pressure-related symptoms (overview), 128
- Poor vacuum without reagent gas flow, 129
- High pressure with reagent gas flow, 130
- Pressure does not change when reagent flow is changed, 131
- Signal-related symptoms (overview), 132
- No peaks, 133
  - No reagent gas peaks in PCI, 133
  - No PFDTD peaks in PCI, 134
  - No reagent gas peaks in NCI, 134
  - No PFDTD calibrant peaks in NCI, 134
  - No sample peaks in NCI, 134
  - Large peak at  $m/z$  238 in NCI OFN spectrum, 134
- No or low reagent gas signal, 135
- No or low PFDTD signal, but reagent ions are normal, 138
- Excessive noise or low signal-to-noise ratio, 140
- Large peak at  $m/z$  19, 141
- Peak at  $m/z$  32, 142
- Tuning-related symptoms (overview), 144
- Reagent gas ion ratio is difficult to adjust or unstable, 145
- High electron multiplier voltage, 147
- Can not complete autotune, 148
- Peak widths are unstable, 149

**Chapter 6**

**Maintaining the MSD**

**Before starting, 152**

**Maintaining the vacuum system, 159**

- To check and add foreline pump oil, 160
- To drain the foreline pump, 162
- To refill the foreline pump, 164
- To replace the oil trap, 166
- To check the diffusion pump fluid, 168
- To replace the turbo pump, 170
- To separate the MSD from the GC, 171
- To remove the diffusion pump, 173

- To replace the diffusion pump fluid, 175
- To reinstall the diffusion pump, 177
- To reconnect the MSD to the GC, 179
- To remove the EI calibration vial, 181
- To refill and reinstall the EI calibration vial, 183
- To purge the calibration valves, 185
  - EI calibration valve, 185
  - CI calibration valve, 185
- To remove the foreline gauge, 186
- To reinstall a foreline gauge, 188
- To remove the EI calibration valve, 190
- To reinstall the EI calibration valve, 192
- To replace the fan for the high vacuum pump, 194
- To remove the triode gauge tube, 196
- To reinstall a triode gauge tube, 198
- To lubricate the side plate O-ring, 200
- To lubricate the vent valve O-ring, 202

#### **Maintaining the analyzer 204**

- To remove the ion source, 206
- To disassemble the ion source, 208
- To clean the ion source, 210
- To reassemble the ion source, 214
- To reinstall the ion source, 216
- To remove a filament, 218
- To reinstall a filament, 220
- To remove the heater and sensor from the ion source, 222
- To reinstall the heater and sensor in the ion source, 224
- To remove the heater and sensor from the mass filter, 226
- To reinstall the heater and sensor in the mass filter, 228
- To replace the electron multiplier horn, 230

#### **Maintaining the GC/MSD interface 232**

- To remove the GC/MSD interface heater and sensor, 234
- To reinstall the GC/MSD interface heater and sensor, 236

#### **Maintaining the electronics 238**

- To adjust the RF coils, 240
- To replace the primary fuses, 242

**Chapter 7**

**CI Maintenance**

- To set up your MSD for CI operation, 247
- To install the CI ion source, 248
- To install the CI interface tip seal, 250
- To clean the CI ion source, 252
  - Frequency of cleaning, 252
  - Cleaning procedure, 252
- To minimize foreline pump damage from ammonia, 254
- To replace the methane/isobutane gas purifier, 255
- To clean the reagent gas supply lines (tubing), 256
- To refill the CI calibrant vial, 257

**Chapter 8**

**Vacuum System**

- Diffusion pump MSD vacuum system, 264
- Turbo pump MSD vacuum system, 265
- Diffusion pump analyzer chamber, 266
- Turbo pump analyzer chamber, 267
- Side plate, 268
- Vacuum seals, 270
  - Face seals, 270
  - KF (NW) seals, 270
  - Compression seals, 270
  - High voltage feedthrough seal, 271
- Foreline pump, 272
- Foreline gauge, 274
- Diffusion pump and fan, 276
- Turbomolecular pump and fan, 280
- Standard turbo pump, 281
- Performance turbo pump, 282
- Calibration valves and vent valve, 283
  - Calibration valves, 283
  - EI calibration valve, 283
  - CI calibration valve, 283
  - Vent valve, 283
- Triode gauge tube, 285
- Gauge controller, 287



**Chapter 9**      **GC/MSD Interfaces and  
CI Flow Control**

EI GC/MSD interface, 291  
EI/CI GC/MSD interface (CI interface), 292  
Reagent gas flow control module, 293

**Chapter 10**      **Analyzer**

Ion source, 300  
    Ion source body, 300  
    Filaments, 302  
    Magnet, 303  
    Repeller, 303  
    Drawout plate and cylinder, 304  
    Ion focus, 304  
    Entrance lens, 304  
CI ion source, 306  
Quadrupole mass filter, 308  
    AMU gain, 308  
    AMU offset, 309  
    219 width, 309  
    DC polarity, 310  
    Mass (axis) gain, 310  
    Mass (axis) offset, 310  
    Quadrupole maintenance, 311  
Detector, 312  
    Detector focus lens, 312  
    High energy dynode, 312  
    Electron multiplier horn, 312  
Analyzer heaters and radiators, 314

**Chapter 11**

**Electronics**

Control panel and power switch, 320  
Side board, 322  
Electronics module, 323  
Main board, 324  
Signal amplifier board, 325  
AC board, 326  
LAN/MSD control card, 330  
Power supplies, 331  
Back panel and connectors, 332  
Interfacing to external devices, 334

**Chapter 12**

**Parts**

Electronics, 339  
Vacuum system, 344  
Analyzer, 352  
EI GC/MSD interface, 358  
Consumables and maintenance supplies, 360  
CI Parts, 364

**Appendix A**

**Chemical Ionization Theory**

Chemical ionization overview, 374  
    References on chemical ionization, 375  
Positive CI theory, 376  
    Proton transfer, 378  
    Hydride abstraction, 380  
    Addition, 380  
    Charge exchange, 381  
Negative CI theory, 382  
    Electron capture, 384  
    Dissociative electron capture, 385  
    Ion pair formation, 385  
    Ion-molecule reactions, 386

---

# 1

- To prepare a capillary column for installation, 22
- To install a capillary column in a split/splitless inlet, 24
- To condition a capillary column, 26
- To install a capillary column in the GC/MSD interface, 28
- To install a capillary column using the installation tool, 30

---

## Installing GC Columns

How to connect GC columns to the 5973N MSD

---

## Installing GC columns

Before you can operate your GC/MSD system, you must select, condition, and install a GC column. This chapter will show you how to install and condition a column. For correct column and flow selection, you must know what type of vacuum system your MSD has. The serial number tag on the lower front of the left side panel shows the model number.

***Many types of GC columns can be used with the MSD but there are some restrictions***

During tuning or data acquisition the rate of column flow into the MSD should not exceed the maximum recommended flow. Therefore, there are limits to column length and flow. Exceeding recommended flow will result in degradation of mass spectral and sensitivity performance.

Remember that column flows vary greatly with oven temperature (unless the GC is set for constant flow). See *To measure column flow linear velocity* (page 48) for instructions on how to measure actual flow in your column. Use the Flow Calculation software to determine whether a given column will give acceptable flow with realistic head pressure.

<b>Feature</b>	<b>G2577A</b>	<b>G2578A</b>	<b>G2579A</b>	<b>G2588A</b>	<b>G2589A</b>
High vac pump	Diffusion pump	Standard turbo	Performance turbo	Standard turbo, EI/PCI	Performance turbo, EI/PCI/NCI
Optimal gas flow, ml/min <sup>a</sup>	1	1	1 to 2	1	1 to 2
Maximum recommended gas flow, ml/min	1.5	2.0	4	2.0	4
Maximum gas flow, ml/min <sup>b</sup>	2	2.4	6.5	2.4	4
Max column id	0.25mm (30m)	0.32mm (30m)	0.53 mm (30m)	0.32mm (30m)	0.53mm (30m)

a. Total gas flow into the MSD: column flow *plus* reagent gas flow (if applicable).

b. Expect degradation of spectral performance and sensitivity.

### ***Conditioning a column before it is installed into the GC/MSD interface is essential***

A small portion of the capillary column stationary phase is often carried away by the carrier gas. This is called column bleed. Column bleed deposits traces of the stationary phase in the MSD ion source. This decreases MSD sensitivity and makes cleaning the ion source necessary.

Column bleed is most common in new or poorly cross-linked columns. It is much worse if there are traces of oxygen in the carrier gas when the column is heated. To minimize column bleed, all capillary columns should be conditioned **before** they are installed in the GC/MSD interface.

### ***Conditioning ferrules is also beneficial***

Heating ferrules to their maximum expected operating temperature a few times before they are installed can reduce chemical bleed from the ferrules.

### ***Tips and hints***

- Note that the column installation procedure for the 5973 MSDs is different from that for **all** previous MSDs. Using the procedure from another instrument will **not** work, and may damage the column or the MSD.
- You can remove old ferrules from column nuts with an ordinary push pin.
- Always use carrier gas that is at least 99.999% pure.
- Because of thermal expansion, new ferrules may loosen after heating and cooling a few times. Check for tightness after two or three heating cycles.
- Always wear clean gloves when handling columns, especially the end that will be inserted into the GC/MSD interface.

---

#### **W A R N I N G**

**If you are using hydrogen as a carrier gas, do not start carrier gas flow until the column is installed in the MSD, and the MSD has been pumped down. If the vacuum pumps are off, hydrogen will accumulate in the MSD and an explosion may occur. Read the *Hydrogen Carrier Gas Safety Guide* (5955-5398) before operating the MSD with hydrogen carrier gas.**

---

#### **W A R N I N G**

**Always wear safety glasses when handling capillary columns. Use care to avoid puncturing your skin with the end of the column.**

---

**To prepare a capillary column for installation**

---

## To prepare a capillary column for installation

*Materials needed:*

Capillary column  
Column cutter (5181-8836)  
Ferrules  
    0.27-mm id, for 0.10-mm id columns (5062-3518)  
    0.37-mm id, for 0.20-mm id columns (5062-3516)  
    0.40-mm id, for 0.25-mm id columns (5181-3323)  
    0.47-mm id, for 0.32-mm id columns (5062-3514)  
    0.74-mm id, for 0.53-mm id columns (5062-3512)  
Gloves, clean  
    large (8650-0030)  
    small (8650-0029)  
Inlet column nut (5181-8830)  
Magnifying glass  
Septum (may be old, used inlet septum)

**1 Slide a septum, column nut, and conditioned ferrule onto the free end of the column.**

The tapered end of the ferrule should point away from the column nut.

**2 Use the column cutter to score the column 2 cm from the end.**

**3 Break off the end of the column.**

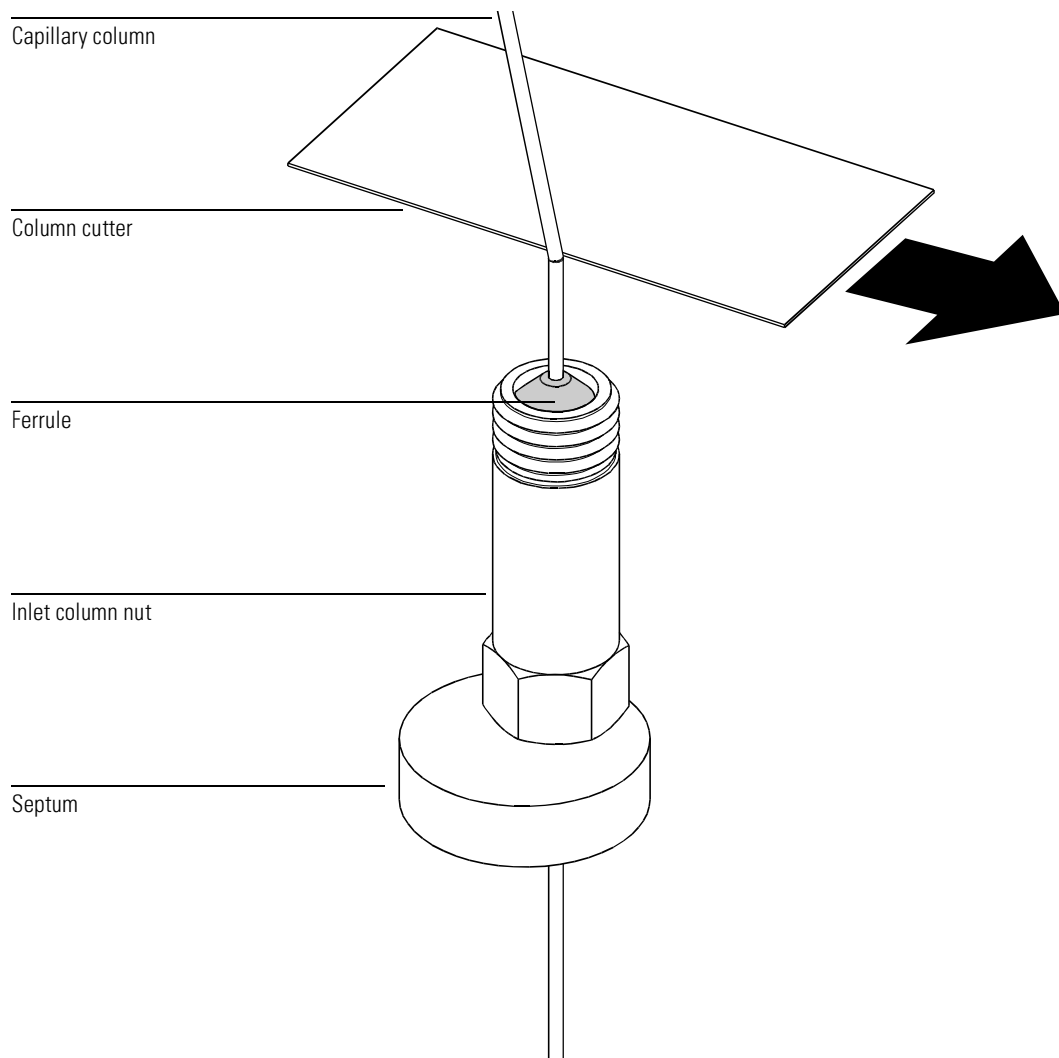
Hold the column against the column cutter with your thumb. Break the column against edge of the column cutter.

**4 Inspect the end for jagged edges or burrs.**

If the break is not clean and even, repeat steps 2 and 3.

**5 Wipe the outside of the free end of the column with a lint-free cloth moistened with methanol.**

To prepare a capillary column for installation



**To install a capillary column in a split/splitless inlet**

---

**To install a capillary column in a split/splitless inlet**

*Materials needed:*

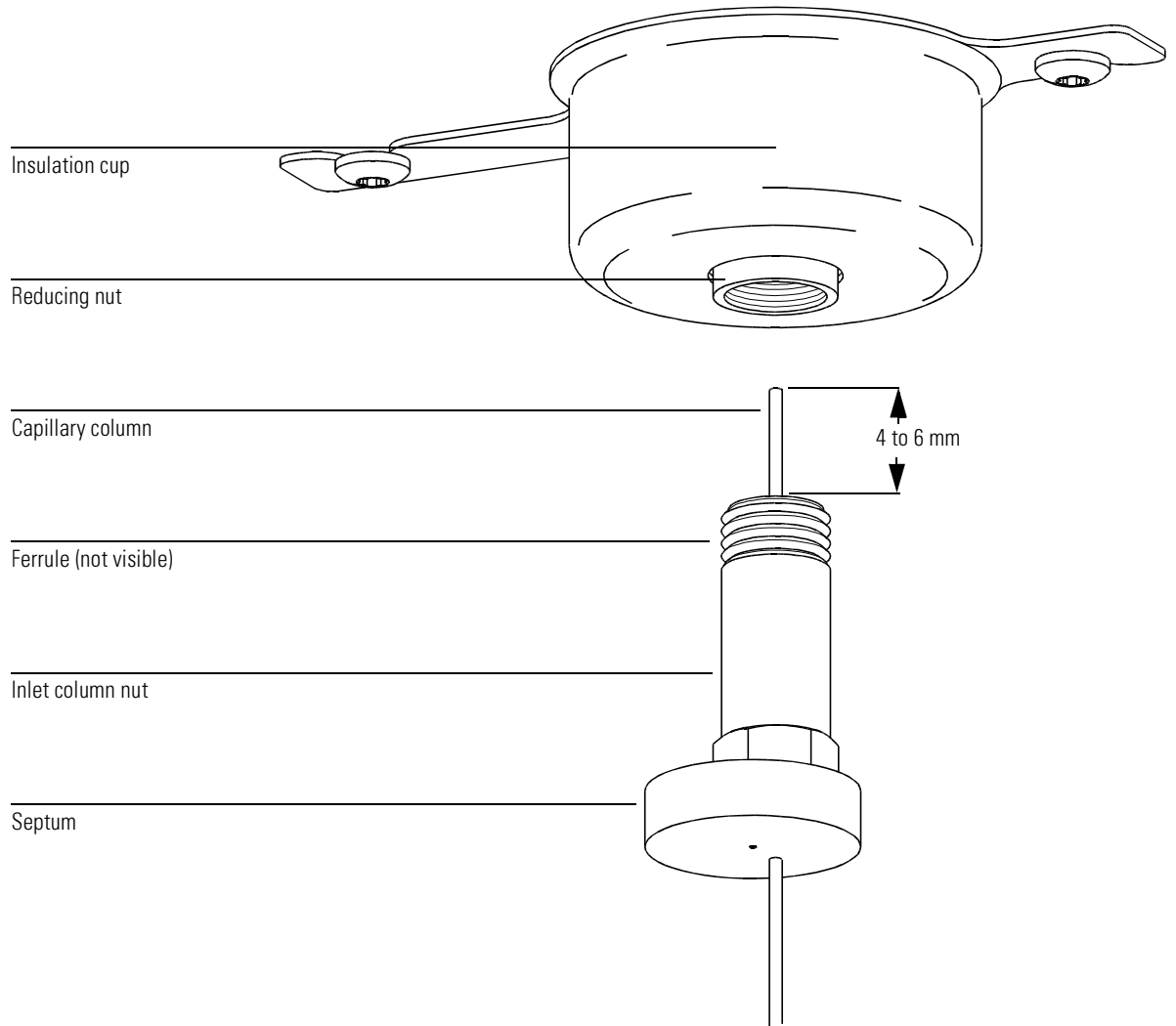
Gloves, clean  
    large (8650-0030)  
    small (8650-0029)  
Metric ruler  
Wrench, open-end, 1/4-inch × 5/16-inch (8710-0510)

To install columns in other types of inlets, refer to your 6890 Series Gas Chromatograph Operating Manual.

- 1 Prepare the column for installation (page 22).**
- 2 Position the column so it extends 4 to 6 mm past the end of the ferrule.**
- 3 Slide the septum to place the nut and ferrule in the correct position.**
- 4 Insert the column in the inlet.**
- 5 Slide the nut up the column to the inlet base and finger tighten the nut.**
- 6 Adjust the column position so the septum is even with the bottom of the column nut.**
- 7 Tighten the column nut an additional 1/4 to 1/2 turn.**  
The column should not slide with a gentle tug.
- 8 Start carrier gas flow.**
- 9 Verify flow by submerging the free end of the column in isopropanol. Look for bubbles.**



To install a capillary column in a split/splitless inlet



**To condition a capillary column**

---

## To condition a capillary column

*Materials needed:*

Carrier gas, (99.999% pure or better)  
Wrench, open-end, 1/4-inch × 5/16-inch (8710-0510)

---

**WARNING**

**Do not condition your capillary column with hydrogen. Hydrogen accumulation in the GC oven can result in an explosion. If you plan to use hydrogen as your carrier gas, first condition the column with ultrapure (99.999% or better) inert gas such as helium, nitrogen, or argon.**

- 1 Install the column in the GC inlet, page 24.**
- 2 Allow the carrier gas to flow through the column for 5 minutes without heating GC oven.**
- 3 Ramp the oven temperature at 5°C/minute to 10°C above your highest analytical temperature.**
- 4 Once the oven temperature exceeds 80°C, inject 5 µl methanol into GC; repeat two more times at 5-minute intervals.**

This will help remove any contamination from the column before it is installed into the GC/MSD interface.

---

**CAUTION**

Do not exceed the maximum temperature rating of the column.

- 5 Hold this temperature. Allow the carrier gas to flow for several hours.**
- 6 Return the GC oven temperature to a low standby temperature.**

**See Also**

For more information about installing a capillary column, refer to the application note:  
*Optimizing splitless injections on your GC for high performance MS analysis*, publication number 5091-4587E.

**Oven**

On      Setpoint °C:

Actual °C:

Oven Ramp	°C/min	Next °C	Hold min	Run Time
Initial		<input type="text" value="25"/>	5.00	5.00
Ramp 1	5.00	270	300.00	354.00
Ramp 2	0.00	240	0.00	
Ramp 3	30.00	270	0.00	
Ramp 4	0.00	0	0.00	
Ramp 5	0.00	0	0.00	
Ramp 6	0.00	0	0.00	
Post Run		<input type="text" value="25"/>	20.00	374.00

**To install a capillary column in the GC/MSD interface**

---

## To install a capillary column in the GC/MSD interface

*Materials needed:*

Column cutter (5181-8836)  
Ferrules  
    0.3-mm id, for 0.10-mm id columns (5062-3507)  
    0.4-mm id, for 0.20- and 0.25-mm id columns (5062-3508)  
    0.5-mm id, for 0.32-mm id columns (5062-3506)  
    0.8-mm id, for 0.53-mm id columns (5062-3538)  
Flashlight  
Hand lens (magnifying glass)  
Gloves, clean  
    large (8650-0030)  
    small (8650-0029)  
Interface column nut (05988-20066)  
Safety glasses  
Wrench, open-end, 1/4-inch × 5/16-inch (8710-0510)

---

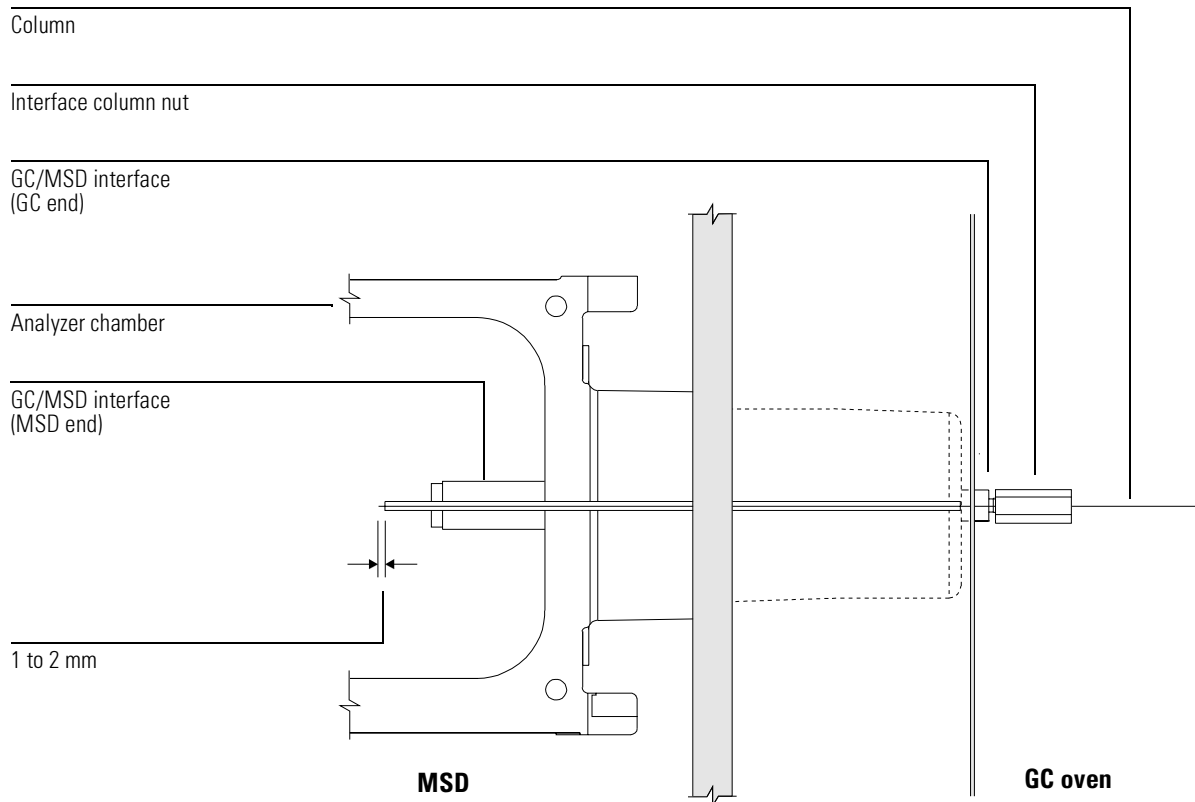
**CAUTION**

---

Note that the column installation procedure for the 5973 MSDs is different from that for all previous MSDs. Using the procedure from another instrument result in poor sensitivity, and possibly damage the MSD.

- 1 Condition the column (page 26).**
- 2 Vent the MSD (page 54) and open the analyzer chamber (page 56).**  
Be sure you can see the end of the GC/MSD interface.
- 3 Slide an interface nut and conditioned ferrule onto the free end of the GC column.**  
The tapered end of the ferrule must point towards the nut.
- 4 Slide the column into the GC/MSD interface until you can pull it out through the analyzer chamber.**
- 5 Break 1 cm off the end of the column (page 22).**  
Do not let any column fragments fall into the analyzer chamber. They could damage the turbo pump.

## To install a capillary column in the GC/MSD interface



**6 Clean the outside of the free end of the column with a lint-free cloth moistened with methanol.**

**7 Adjust the column so it projects 1 to 2 mm past the end of the GC/MSD interface.**

Use the flashlight and hand lens if necessary to see the end of the column inside the analyzer chamber. Do **not** use your finger to feel for the column end.

**8 Hand tighten the nut.**

Make sure the position of the column does not change as you tighten the nut.

**9 Tighten the nut 1/4 to 1/2 turn.**

Check the tightness after one or two heat cycles.

**To install a capillary column using the installation tool**

---

## To install a capillary column using the installation tool

*Materials needed:*

Column cutter (5181-8836)

Column installation tool (*not supplied with the MSD*) (G1099-20030)

Ferrules

0.3-mm id, for 0.10-mm id columns (5062-3507)

0.4-mm id, for 0.20- and 0.25-mm id columns (5062-3508)

0.5-mm id, for 0.32-mm id columns (5062-3506)

0.8-mm id, for 0.53-mm id columns (5062-3538)

Gloves, clean

large (8650-0030)

small (8650-0029)

Interface column nut (05988-20066)

Septum (may be old, used inlet septum)

Wrenches, open-end, 1/4-inch × 5/16-inch (8710-0510) – 2 required

*Note:*

The column installation tool is not recommended for applications requiring optimal sensitivity performance. See “To install a capillary column without the installation tool”, page 28.

**1 Vent the MSD. See page 54.**

**2 Slide a septum, interface column nut, and conditioned ferrule onto the free end of the column.**

The tapered end of the ferrule should point toward the nut.

**3 Insert the column into the column installation tool.**

Slide the column through until the end extends past the end of the tool.

**4 Cut 1 cm off the end of the column (page 22).**

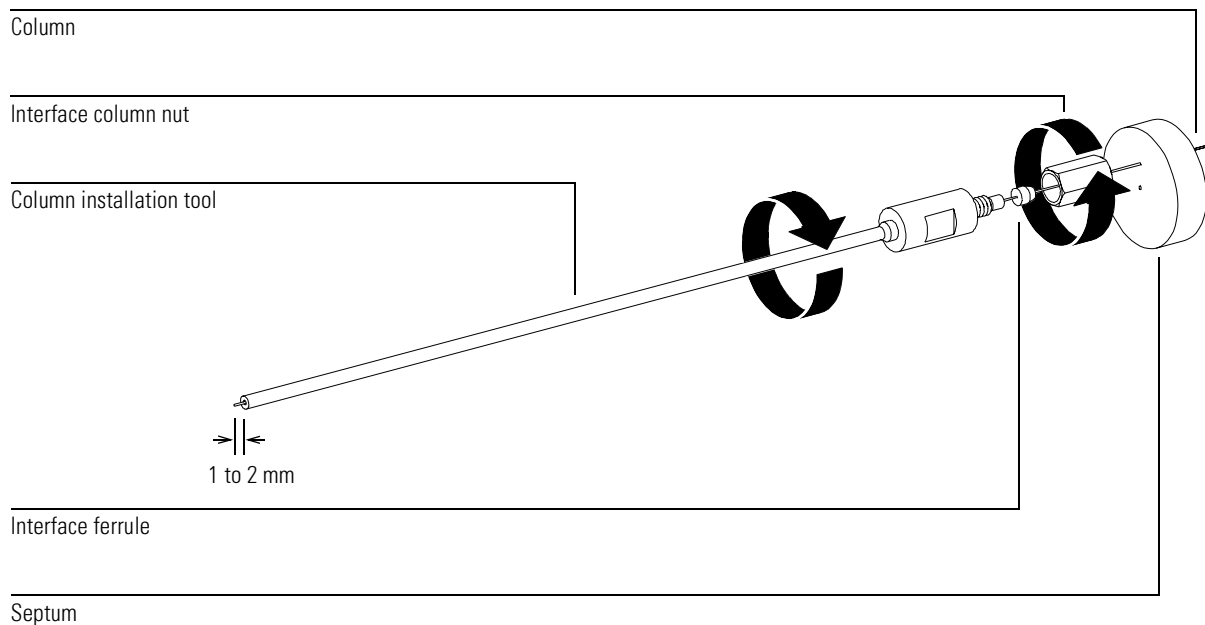
**5 Position the column so that 1 to 2 mm extends past the end of the tool. Hand tighten the nut.**

**6 Slide the septum to touch the end of the nut.**

The septum will help assure that the position is correct.

**7 Use two wrenches to tighten the nut 1/4 to 1/2 turn.**

The column should not slide when tugged *gently*.

**To install a capillary column using the installation tool****8 Remove the column and nut from the installation tool.**

The total length from the septum to the end of the column is 176 mm.

**9 Clean the outside of the end of the column with a lint-free cloth moistened with methanol.****10 Insert the column into the GC/MSD interface.****11 Tighten the nut 1/4 to 1/2 turn.**

Check tightness after one or two heat cycles.

**12 Pump down the MSD.****CAUTION**

The column installation tool must be kept *clean* to prevent contaminating the column and the ion source. Keep it in its storage tube, and clean it by flushing with methanol after each use.





- To view MSD analyzer temperature and vacuum status, 38
- To set monitors for MSD temperature and vacuum status, 40
- To set the MSD analyzer temperatures, 42
- To set the GC/MSD interface temperature from the PC, 44
- To monitor high vacuum pressure, 46
- To measure column flow linear velocity, 48
- To calculate column flow, 49
- To tune the MSD, 50
- To set the interface temperature from a 6890 Plus GC, 67
- To remove the MSD covers, 52
- To vent the MSD, 54
- To open the analyzer chamber, 56
- To close the analyzer chamber, 58
- To pump down the MSD, 60
- To connect the gauge controller, 63
- To move or store the MSD, 65
- To vent the MSD without the ChemStation, 68

---

## Operating the MSD

How to perform some basic operating procedures for the MSD

---

# Operating the MSD

## ***Operation of the MSD from the data system***

The software performs tasks such as pumpdown, monitoring pressures, setting temperatures, tuning, and preparing to vent. These tasks are described in this chapter. Data acquisition and data analysis are described in the manuals and online help supplied with the MSD ChemStation software.

## ***Operation of the MSD from the control panel***

You can use the 5973N MSD control panel to perform many of the same tasks that the ChemStation can perform. See the *5973N Control Panel Quick Reference* G2589-90011 for more information.

## ***Some conditions must be met before you turn on the MSD***

Verify the following **before** you turn on or attempt to operate the MSD.

- The vent valve must be closed (the knob turned all the way clockwise).
- All other vacuum seals and fittings must be in place and fastened correctly. (The the front side plate screw should not be tightened, unless hazardous carrier or reagent gasses are being used.
- The MSD is connected to a grounded power source.
- The GC/MSD interface extends into the GC oven.
- A conditioned capillary column is installed in the GC inlet and in the GC/MSD interface.
- The GC is on, but the heated zones for the GC/MSD interface, the injection port, and the oven are off.
- Carrier gas of at least 99.999% purity is plumbed to the GC with the recommended traps.
- If hydrogen is used as carrier gas, carrier gas flow must be off, and the front sideplate thumbscrew must be loosely fastened.
- The foreline pump exhaust is properly vented.

---

**WARNING**

**The exhaust from the foreline pump contains solvents and the chemicals you are analyzing. It also contains traces of pump oil. The supplied oil trap stops only pump oil. It does not trap or filter out toxic chemicals. If you are using toxic solvents or analyzing toxic chemicals, remove the oil trap. Install a hose (11 mm id) to take the foreline pump exhaust outside or to a fume (exhaust) hood.**

---

**WARNING**

**If you are using hydrogen as a carrier gas, do not start carrier gas flow until the MSD has been pumped down. If the vacuum pumps are off, hydrogen will accumulate in the MSD and an explosion may occur. Read the *Hydrogen Carrier Gas Safety Guide* (5955-5398) before operating the MSD with hydrogen carrier gas.**

---

***The data system or control panel help you pump down the MSD***

Pumpdown is mostly automated. Once you close the vent valve and turn on the main power switch (while pressing on the sideplate), the MSD pumps down by itself. The data system software contains a program that monitors and displays system status during pumpdown. When the pressure is low enough, the program turns on the ion source and mass filter heaters. It also prompts you to turn on the GC/MSD interface heater. 5973N MSDs will shutdown if they cannot pump down correctly.

***Pressure in the MSD can be monitored two ways***

The diffusion pump MSD is equipped with a gauge that measures foreline pressure. Foreline pressure can be monitored only through the data system. The turbo pump MSD does not have a foreline gauge. Instead, the data system displays turbo pump motor speed.

Each MSD is equipped with a triode ionization gauge tube. If your MSD is also equipped with an 59864B Gauge Controller, the triode gauge can measure the pressure in the analyzer chamber. The high vacuum pressure measured by the triode gauge cannot be monitored through the data system. It is displayed on the gauge controller.

***MSD temperatures are controlled through the data system***

The MSD has independent heaters and temperature sensors for the ion source and quadrupole mass filter. You can adjust the setpoints and view these temperatures from the data system, or from the control panel.

The GC/MSD interface heater is powered and controlled by the Thermal Aux #2 heated zone of the 6890 Plus GC. The GC/MSD interface temperature can be set and monitored from the data system or from the GC keypad.

***Column flow is controlled through the data system***

Carrier gas flow through the GC column is controlled by head pressure in the GC. For a given head pressure, the column flow will decrease as the GC oven temperature increases. With electronic pneumatic control (EPC) set to **Const Flow** (constant flow), the same column flow is maintained regardless of oven temperature.

The MSD can be used to measure actual column flow. You inject a **small** amount of air or other unretained chemical, and time how long it takes to reach the MSD. With this time measurement, you can calculate the column flow. See page 48..

***The data system aids in venting***

A program in the data system guides you through the venting process. It switches off the GC and MSD heaters and the diffusion pump heater or turbo pump at the correct time. It also lets you monitor temperatures in the MSD and indicates when to vent the MSD.

The MSD **will** be damaged by incorrect venting. A diffusion pump will backstream vaporized pump fluid onto the analyzer if the MSD is vented before the diffusion pump has fully cooled. A turbo pump will be damaged if it is vented while spinning at more than 50% of its normal operating speed.

---

**WARNING**

---

**Make sure the GC/MSD interface and the analyzer zones are cool (below 100°C) before you vent the MSD. 100°C is still hot enough to burn skin; always wear cloth gloves when handling analyzer parts.**

---

**WARNING**

---

**If you are using hydrogen as a carrier gas, the carrier gas flow must be off before turning off the MSD power. If the foreline pump is off, hydrogen will accumulate in the MSD and an explosion may occur. Read the *Hydrogen Carrier Gas Safety Guide* (5955-5398) before operating the MSD with hydrogen carrier gas.**

---

**CAUTION**

---

***Never*** vent the MSD by allowing air in through either end of the foreline hose. Use the vent valve or remove the column nut and column.

---

**CAUTION**

---

***Do not*** vent or shut off the power on a diffusion pump MSD while the pump is hot. ***Do not*** vent while the turbo pump is still spinning at more than 50%.

---

**CAUTION**

---

Do not exceed the maximum recommended total gas flow. See “5973N MSD models and features” on page 7.

***Moving or storing the MSD requires special care***

The best way to keep your MSD functioning properly is to keep it pumped down and hot, with carrier gas flow. If you plan to move or store your MSD, a few additional precautions are required. The MSD must remain upright at all times; this requires special caution when moving. The MSD should not be left vented to atmosphere for long periods.

## To view MSD analyzer temperature and vacuum status

*Software changes*

The software is revised periodically. If the steps in this procedure do not match your MSD ChemStation software, refer to the manuals and online help supplied with the software for more information.

**See also**

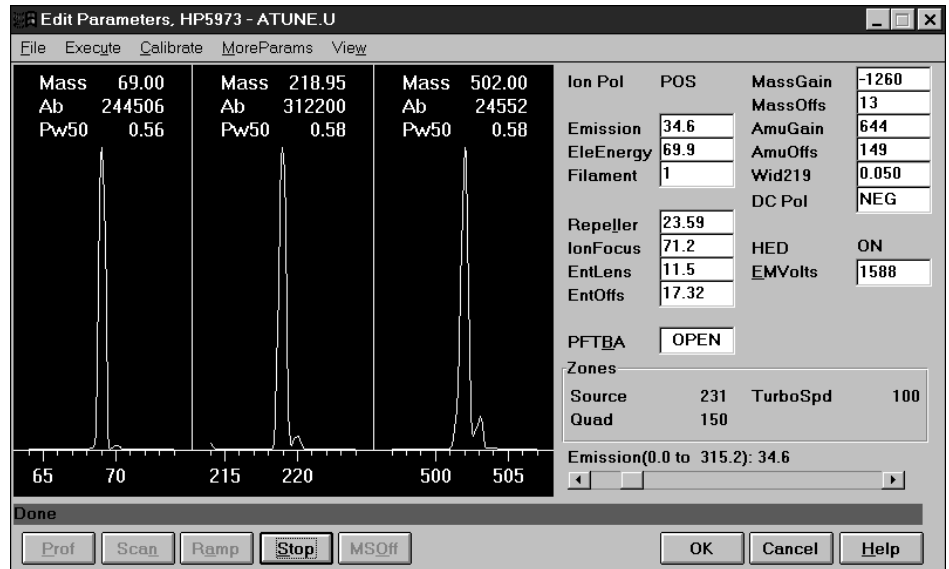
You can also use the Control Panel to perform this task. See the *5973N Control Panel Quick Reference Guide* for more information.

- 1 In Instrument Control view, select Edit MS Tune Parameters from the Instrument menu.**
- 2 Select the tune file you plan to use with your method from the Load MS Tune File dialog box.**
- 3 Analyzer temperatures and vacuum status are displayed in the Zones field.**

Unless you have just begun the pumpdown process, the foreline pressure should be less than 300 mTorr, or the turbo pump should be running at least 80% speed. MSD heaters remain off as long as the diffusion pump is cold or the turbo pump is operating at less than 80%. Normally, the foreline pressure will be below 100 mTorr, or the turbo pump speed will be at 100%.

The MSD heaters turn off at the beginning of the vent cycle, and turn on at the end of the pumpdown cycle. Note that the reported setpoints will not change during venting or pumpdown, even though both the MSD zones are turned off.

## To view MSD analyzer temperature and vacuum status



## To set monitors for MSD temperature and vacuum status

Monitors display the current value of a single instrument parameter. They can be added to the standard instrument control window. Monitors can be set to change color if the actual parameter value varies beyond a user-determined limit from the parameter setpoint. This procedure describes how to add monitors to your instrument control view.

### *Software changes*

The software is revised periodically. If the steps in this procedure do not match your MSD ChemStation software, refer to the manuals and online help supplied with the software for more information.

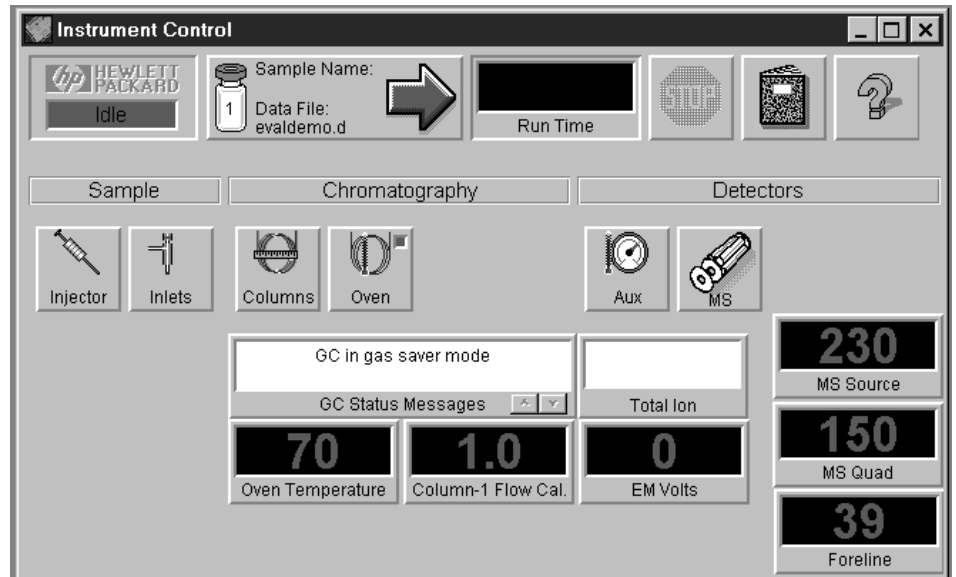
- 1 Select MS Monitors from the Instrument menu.**
- 2 In the Edit MS Monitors box, under Type, select Zone.**
- 3 Under Parameter, select MS Source and click Add.**
- 4 Under Parameter, select MS Quad and click Add.**
- 5 Under Parameter, select Foreline (or TurboSpd) and click Add.**
- 6 Click OK.**

The new monitors will be stacked on top of each other in the lower right corner of the Instrument Control window. They must be moved for you to see them all.

- 7 Click and drag each monitor to the desired position.**  
See the accompanying illustration for an example of arranging the monitors.
- 8 To make the new settings part of the method, select Save from the Method menu.**



## To set monitors for MSD temperature and vacuum status



**To set the MSD analyzer temperatures**

---

## To set the MSD analyzer temperatures

Setpoints for the MSD ion source and mass filter (quad) temperatures are stored in the current tune (\*.u) file. When a method is loaded, the setpoints in the tune file associated with that method are downloaded automatically.

*Software changes*

The software is revised periodically. If the steps in this procedure do not match your MSD ChemStation software, refer to the manuals and online help supplied with the software for more information.

- 1 In Instrument Control view, select Edit MS Tune Parameters from the Instrument menu.**
- 2 Select the tune file you plan to use with your method from the Load MS Tune File dialog box.**
- 3 Select Temperatures from the MoreParams menu.**
- 4 Type the desired Source and Quad (mass filter) temperatures in the setpoint fields and click OK.**

Table 1 on page 43 for recommended setpoints

The GC/MSD interface, ion source, and quadrupole heated zones interact. The analyzer heaters may not be able to accurately control temperatures if the setpoint for one zone is much lower than that of an adjacent zone.

---

**CAUTION**

---

Do not exceed 200°C for the quadrupole or 250°C for the source.

- 5 Click OK in the Edit Parameters window to apply the new temperature setpoints.**
- 6 When the Save MS Tune File dialog box appears, either click OK to save your changes to the same file or type a new file name and click OK.**

## To set the MSD analyzer temperatures

The screenshot shows a dialog box titled "MS Zones" with a close button (X) in the top right corner. The dialog contains a table with four columns: Zone, Actual, Setpoint, and Limit. The "MS Source" row shows an Actual temperature of 230, a Setpoint of 230 (highlighted in a text box), and a Limit of 250. The "MS Quad" row shows an Actual temperature of 150, a Setpoint of 150 (highlighted in a text box), and a Limit of 200. Below the table are two buttons: "OK" and "Help".

Zone	Actual	Setpoint	Limit
MS Source	230	230	250
MS Quad	150	150	200

Buttons: OK, Help

Table 1

**Recommended temperature settings**

	El operation	PCI operation	NCI operation
MS Source	230	150	150
MS Quad	150	150	150

**To set the GC/MSD interface temperature from the PC**

---

## To set the GC/MSD interface temperature from the PC

*Software changes*

The software is revised periodically. If the steps in this procedure do not match your MSD ChemStation software, refer to the manuals and online help supplied with the software for more information.

**See also**

You can also use the Control Panel to perform this task. See the *5973N Control Panel Quick Reference Guide* for more information.

- 1 Select Instrument Control from the View menu.**
- 2 Click the Aux button to display the Instrument | Edit | Aux: (6890) window.**
- 3 Verify that MSD is selected under Type and Thermal Aux #2 is selected under Aux Channel.**
- 4 Turn the heater on, and type the setpoint in the Next °C column. Do not set temperature ramps.**
- 5 The typical setpoint is 280°C.**

The limits are 0°C and 350°C. A setpoint below ambient temperature turns off the interface heater.

---

**CAUTION**

---

Never exceed the maximum temperature for your column.

- 6 Click Apply to download setpoints or click OK to download setpoints and close the window.**
- 7 To make the new settings part of the method, select Save from the Method menu.**

---

**CAUTION**

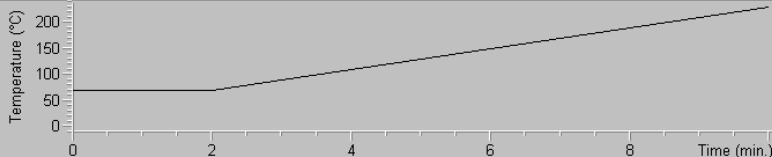
---

Make sure that the carrier gas is turned on and the column has been purged of air before heating the GC/MSD interface or the GC oven.

## To set the GC/MSD interface temperature from the PC

Instrument | Edit | Aux: (6890)

■ Oven Temp



Temperature (°C)

Time (min.)

Plot...

Injector Valves Inlets Columns Oven Detectors Signals Aux Runtime Options

Aux Channel

Thermal Aux #1  
 Thermal Aux #2  
 Pres Aux #3  
 Pres Aux #4  
 Pres Aux #5

Description:

Heater

On    Actual: 280 °C

Type

Valve Box  
 MSD  
 AED  
 Unknown

Ramps	°C/min	Next °C	Hold min	Run Time
Initial		280	0.00	10.00
Ramp 1	0.00	0	0.00	
Ramp 2	0.00	0	0.00	
Ramp 3	0.00	0	0.00	

Apply

OK

Cancel

Help

**To monitor high vacuum pressure**

---

## To monitor high vacuum pressure

*Materials needed:*

Gauge controller (59864B)  
Triode ionization gauge cable (8120-6573)

---

**WARNING**

**Never connect or disconnect the cable from the triode gauge tube while the MSD is under vacuum. Risk of implosion and injury due to broken glass exists.**

---

**WARNING**

**If you are using hydrogen as a carrier gas, do not turn on the triode gauge tube if there is any possibility that hydrogen has accumulated in the analyzer chamber. The triode gauge filament can ignite hydrogen. Read the *Hydrogen Carrier Gas Safety Guide* (5955-5398) before operating the MSD with hydrogen carrier gas.**

- 1 Connect the gauge controller to the ionization gauge tube (page 63).**
- 2 Start up and pump down the MSD (page 60).**
- 3 Switch on the power switch on the back of the gauge controller.**
- 4 Press and release the GAUGE button.**

After a few seconds, the pressure should be displayed.

Pressure is displayed in the format **X.X – X** where **– X** is the base 10 exponent. Units are Torr.

The gauge controller will not turn on if the pressure in the MSD is above approximately  $8 \times 10^{-3}$  Torr. The gauge controller will display all 9s and then go blank. The triode gauge tube can measure pressures between approximately  $8 \times 10^{-3}$  and less than  $2 \times 10^{-6}$  Torr. The gauge controller is calibrated for nitrogen, but all pressures listed in this manual are for helium. Refer to the manual for the 59864B for information on relative sensitivity to different gases.

The largest influence on operating pressure in EI mode is the carrier gas (column) flow. The following table lists typical pressures for various helium carrier gas flows. These pressures are approximate and will vary from instrument to instrument, by as much as 30%

Table 2

---

**Typical MSD pressure readings for various helium carrier gas flow rates**


---

**Diffusion pump MSD**


---

Column flow (ml/min)	Triode gauge reading (Torr)	Foreline gauge reading (Torr)
1.0	$5.0 \times 10^{-5}$	40
1.5	$7.5 \times 10^{-5}$	53
2.0	$1.0 \times 10^{-4}$ (Not recommended)	66

---

**Turbo pump MSDs**


---

Column flow (ml/min)	Triode gauge reading (Torr), <b>Performance</b> turbo pump	Triode gauge reading (Torr), <b>Standard</b> turbo pump
1.0	$1.5 \times 10^{-5}$	$4.0 \times 10^{-5}$
2.0	$3.0 \times 10^{-5}$	$8.0 \times 10^{-5}$
2.4	$3.5 \times 10^{-5}$	$1.0 \times 10^{-4}$ (Not recommended)
3.0	$4.5 \times 10^{-5}$	Not supported
4.0	$5.0 \times 10^{-5}$	Not supported

If the pressure is consistently higher than those listed, refer to the online help in the MSD ChemStation software for information on troubleshooting air leaks and other vacuum problems.

If the pressure rises above approximately  $8 \times 10^{-3}$  Torr, the gauge controller will turn off the triode gauge tube. The gauge tube **does not** turn back on automatically.

## To measure column flow linear velocity

*Materials needed:* Syringe

- 1 Set Data Acquisition for splitless manual injection and selected ion monitoring (SIM) of  $m/z$  28.**
- 2 Press the Prep Run button on the GC keypad.**
- 3 Inject 1  $\mu$ l of air into the injection port and press the Start Run button.**
- 4 Wait until a peak elutes at  $m/z$  28.**

Note the retention time.

- 5 Calculate the average linear velocity.**

$$\text{Average linear velocity (cm/sec)} = \frac{100 L}{t}$$

where:

$L$  = length of the column in meters

$t$  = retention time in seconds

Be sure to account for any pieces of column broken off. A 1-meter section missing from a 25-meter column can yield a 4% error.

- 6 Use this value to verify the MSD ChemStation flow calculations (page 49).**

If the numbers disagree, click the **Change** button to calibrate the column dimensions.

- 7 To calculate the volumetric flow rate.**

$$\text{Volumetric flow rate (ml/min)} = \frac{0.785 D^2 L}{t}$$

where:

$D$  = internal column diameter in millimeters

$L$  = the column length in meters

$t$  = the retention time in minutes



## To calculate column flow

- 1 In the Instrument Control view, click the Columns icon.
- 2 Check that the correct column dimensions are entered.
- 3 Type the desired value in the pressure field.

Instrument | Edit | Columns: (6890)

■ Oven Temp

Temperature (°C)

Plot...

Time (min.)

Injector Valves Inlets **Columns** Oven Detectors Signals Aux Runtime Options

Column:  1  2 Mode: Const Flow Installed Column Inventory#: AB001 (not calibrated) Change...

Inlet: Front Detector: MSD Outlet psi: Vacuum

Column Dimensions Capillary 30.0 m x 250 µm x 0.25 µm

He Flow

	Setpoint	Actual	
Pressure:	8.8	8.8	psi
Flow:	1.0	1.0	ml/min
Average Velocity:	37		cm/sec

Flow	ml/min <sup>2</sup>	ml/min	Hold min	Run Time
Initial		1.0	0.00	10.00
Ramp 1	0.00	0.0	0.00	
Ramp 2	0.00	0.0	0.00	
Ramp 3	0.00	0.0	0.00	
Post Run			0.00	10.00

Apply OK Cancel Help

- 4 If the Average Velocity displayed is different from that obtained on page 48, click the Change button to calibrate the column dimensions.

**To tune the MSD**

---

## To tune the MSD

*Software changes*

The software is revised periodically. If the steps in this procedure do not match your MS ChemStation software, refer to the manuals and online help supplied with the software for more information.

**See also**

You can also use the Control Panel to run the autotune that is currently loaded in the PC memory. See the *5973N Control Panel Quick Reference Guide* for more information.

**1 In the Instrument Control View, select Perform MS Autotune from the Instrument menu.**

**2 Select the tune program you wish to use.**

The tune will start immediately. For most applications, **Autotune** gives the best results. **Standard Tune** is not recommended, as it may reduce sensitivity.

**Quick Tune** is used to adjust peak width, mass assignment, and abundance, without changing ion ratios. Always tune the MSD with the same GC oven temperature and column flow, and the same analyzer temperatures that will be used for data acquisition.

**3 Wait for the tune to complete and to generate the report.**

Save your tune reports. To view history of tune results, select **View Tunes...** under the Qualify menu.

**4 To manually tune your MSD or to perform special autotunes, select Manual Tune from the View menu.**

In the Manual Tune view, you can manually adjust most tune parameters to suit special needs.

From the Tune menu, in addition to the tunes available from Instrument Control, you can select special autotunes for specific spectral results: **DFTPP Tune**, **BFB Tune**, or **Target Tune**.

See the manuals or online help provided with your MSD ChemStation software for additional information about tuning.

---

## To verify system performance

*Materials needed:* 1 pg/μl (0.001 ppm) OFN sample (8500-5441)

### Verify the tune performance

- 1 Verify that the system has been pumping down for at least 60 minutes.**
- 2 Set the GC oven temperature to 150°C, and the column flow to 1.0 ml/min.**
- 3 In the Instrument Control view, select Checkout Tune from the Qualify menu.**  
The software will perform an autotune and print out the report.
- 4 When the autotune has completed, save the method, and then select Tune Evaluation from the Qualify menu.**  
The software will evaluate the last autotune and print a System Verification – Tune report.

### Verify the sensitivity performance

- 1 Set up to inject 1 μl of OFN, either with the ALS or manually.**
- 2 In the Instrument Control view, select Sensitivity Check from the Qualify menu.**
- 3 Click the appropriate icons in the Instrument | Edit window to edit the method for the type of injection.**
- 4 Click OK to run the method.**  
**When the method is completed, an evaluation report will print out.**

Verify that rms signal-to-noise ratio meets the published specification. See the *5973Network Mass Selective Detector Specifications* (5968-7358E.).

**To remove the MSD covers**

---

## To remove the MSD covers

*Materials needed:* Screwdriver, TORX T-15 (8710-1622)

The analyzer cover is removed for venting and for many maintenance procedures. The lower MSD cover is removed to check the fluid level in the diffusion pump and for a few maintenance procedures. If you need to remove one of the MSD covers, follow these procedures:

### **Analyzer cover**

- 1 Grasp the front of the analyzer cover and lift up enough to unlatch the five front tabs.**
- 2 Reach back and grasp the back edge of the analyzer cover.**
- 3 Pull forward to disengage the rear spring latch.**

It may take a firm pull to disengage the latch.

To reinstall the analyzer cover, reverse these steps.

### **Lower MSD cover**

- 1 Remove the analyzer cover.**
- 2 Remove the 3 screws that hold the lower MSD cover in place.**
- 3 Pull the cover left slightly to disengage the two right side tabs and then pull it straight forward.**

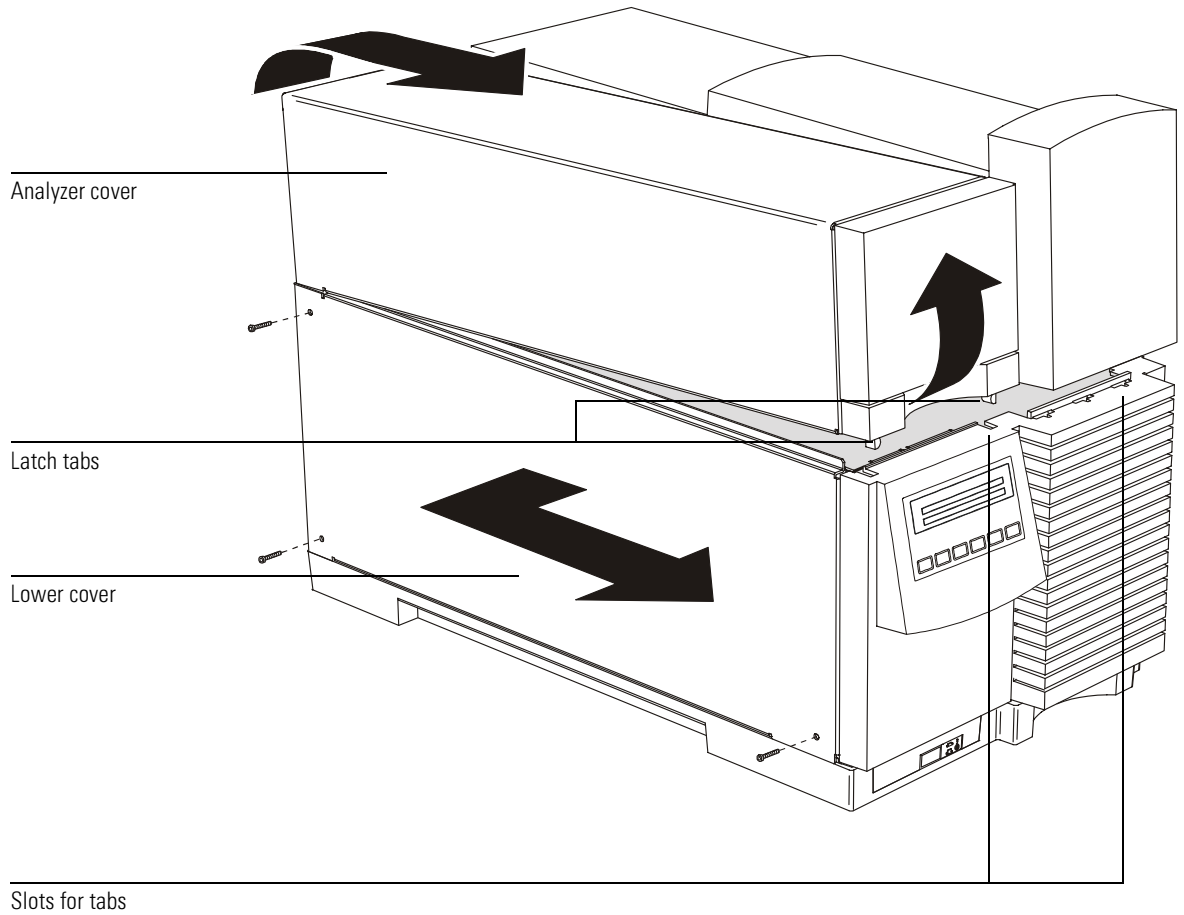
To reinstall the lower MSD cover, reverse these steps.

---

## **WARNING**

**Do not remove any covers other than the upper and lower MSD covers. Dangerous voltages are present under other covers.**

---



**CAUTION**

Do not use excessive force, or the plastic tabs that hold the cover to the mainframe will break off.

**To vent the MSD**

---

## To vent the MSD

*Firmware changes*

The firmware is revised periodically. If the steps in this procedure do not match your MSD control panel, refer to the manuals and online help supplied with the software, or the *5973N MSD Control Panel Quick Reference* for more information.

- 1 If your system is equipped with a gauge controller, switch off the triode gauge controller.**
- 2 Before venting a CI MSD, press the Gas Off button (turns off the reagent gas flow and closes the isolation valve.)**

---

**WARNING**

**On a CI MSD, the Gas Off light must be on when the MSD is venting.**

- 3 Select Vent from the from the Vacuum menu in the software. Follow the instructions presented.**
- 4 Set the GC/MSD interface heater and the GC oven temperatures to ambient (25°C).**

---

**WARNING**

**If you are using hydrogen as a carrier gas, the carrier gas flow must be off before turning off the MSD power. If the foreline pump is off, hydrogen will accumulate in the MSD and an explosion may occur. Read the *Hydrogen Carrier Gas Safety Guide* (5955-5398) before operating the MSD with hydrogen carrier gas.**

---

**CAUTION**

Be sure the GC oven and the GC/MSD interface are cool before turning off carrier gas flow.

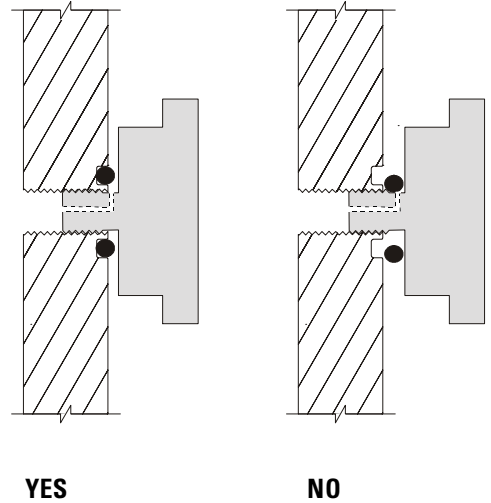
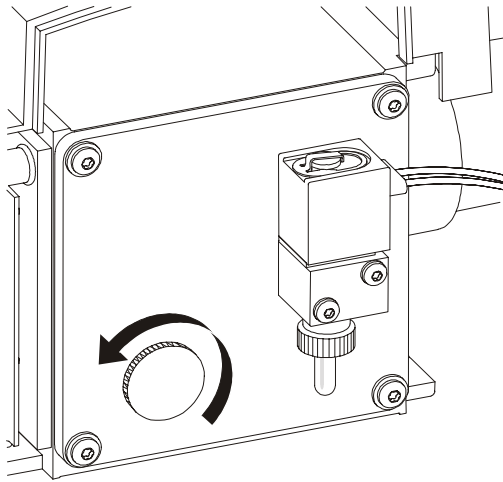
- 5 When prompted, turn off the MSD power switch.**
- 6 Unplug the MSD power cord.**

---

**WARNING**

**When the MSD is vented, do not put the ChemStation into Top view. Doing so will turn on the interface heater.**

- 7 Remove the analyzer cover (page 52).**
-



- 8 Turn the vent valve knob counterclockwise *only* 3/4 turns or until you hear the hissing sound of air flowing into the analyzer chamber.

Do *not* turn the knob too far, or the O-ring may fall out of its groove. Be sure to retighten the knob before pumping down.

---

**WARNING**

---

Allow the analyzer to cool to near room temperature before touching it.

---

**CAUTION**

---

Always wear clean gloves while handling any parts that go inside the analyzer chamber.

---

**WARNING**

---

When the MSD is vented, do not put the ChemStation into Top view. Doing so will turn on the interface heater.

**To open the analyzer chamber**

---

## To open the analyzer chamber

*Materials needed:*

Gloves, clean, lint-free  
    large (8650-0030)  
    small (8650-0029)  
Wrist strap, anti-static  
    small (9300-0969)  
    medium (9300-1257)  
    large (9300-0970)

---

**CAUTION**

Electrostatic discharges to analyzer components are conducted to the side board where they can damage sensitive components. Wear a grounded anti-static wrist strap and take other anti-static precautions (see page 158) before you open the analyzer chamber.

- 1 Vent the MSD (page 54).**
- 2 Disconnect the side board control cable and the source power cable from the side board.**
- 3 Loosen the side plate thumbscrews, if they are fastened.**

The rear side plate thumbscrew should be unfastened during normal use. It is only fastened during shipping. The front side plate thumbscrew should only be fastened for CI operation or if hydrogen or other flammable or toxic substances are used for carrier gas.
- 4 Gently swing the side plate out.**

---

**WARNING**

**The analyzer, GC/MSD interface, and other components in the analyzer chamber operate at very high temperatures. Do not touch any part until you are sure it is cool.**

---

**CAUTION**

Always wear clean gloves to prevent contamination when working in the analyzer chamber.

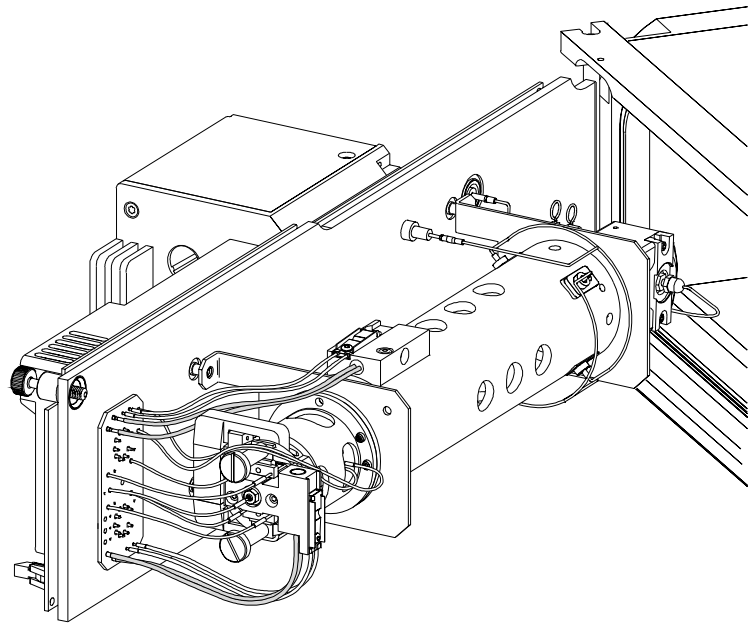
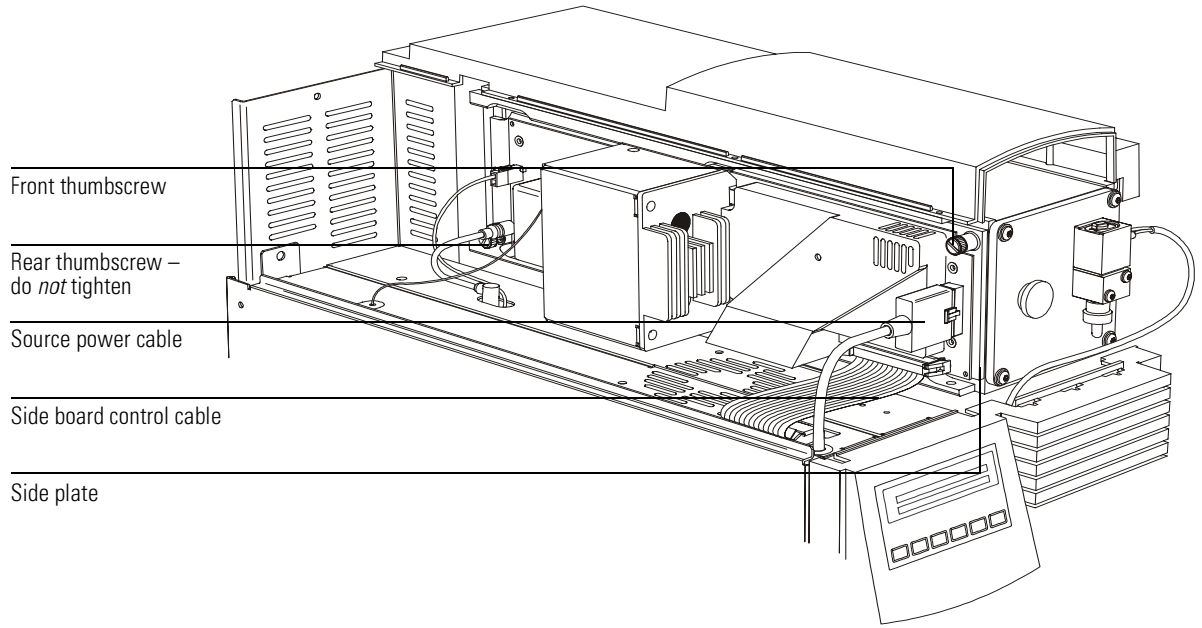
---

**CAUTION**

If you feel resistance, stop. Do not try to force the side plate open. Verify that MSD is vented. Verify that both the front and rear side plate screws are completely loose.

---





**To close the analyzer chamber**

---

## To close the analyzer chamber

*Materials needed:* Gloves, clean, lint-free  
large (8650-0030)  
small (8650-0029)

**1 Make sure all the internal analyzer electrical leads are correctly attached.**

**2 Check the side plate O-ring.**

Make sure the O-ring has a *very* light coat of Apiezon L high vacuum grease. If the O-ring is very dry, it may not seal well. If the O-ring looks shiny, it has too much grease on it. See page 200 for instructions for lubricating the side plate O-ring.

**3 Close the side plate.**

**4 Reconnect the side board control cable and source power cable to the side board.**

**5 Make sure the vent valve is closed.**

**6 Pump down the MSD (page 60).**

**7 Gently hand tighten the front side plate thumbscrew.**

This is only necessary for CI MSDs, or if hydrogen or other flammable or toxic substance is used for carrier gas.

---

**WARNING**

**This thumbscrew must be fastened for CI operation or if hydrogen (or other hazardous gas) is being used as the GC carrier gas. In the unlikely event of an explosion, it may prevent the side plate from opening.**

---

---

**CAUTION**

Do not overtighten the thumbscrew; it can cause air leaks or prevent successful pumpdown. Do not use a screwdriver to tighten the thumbscrew.

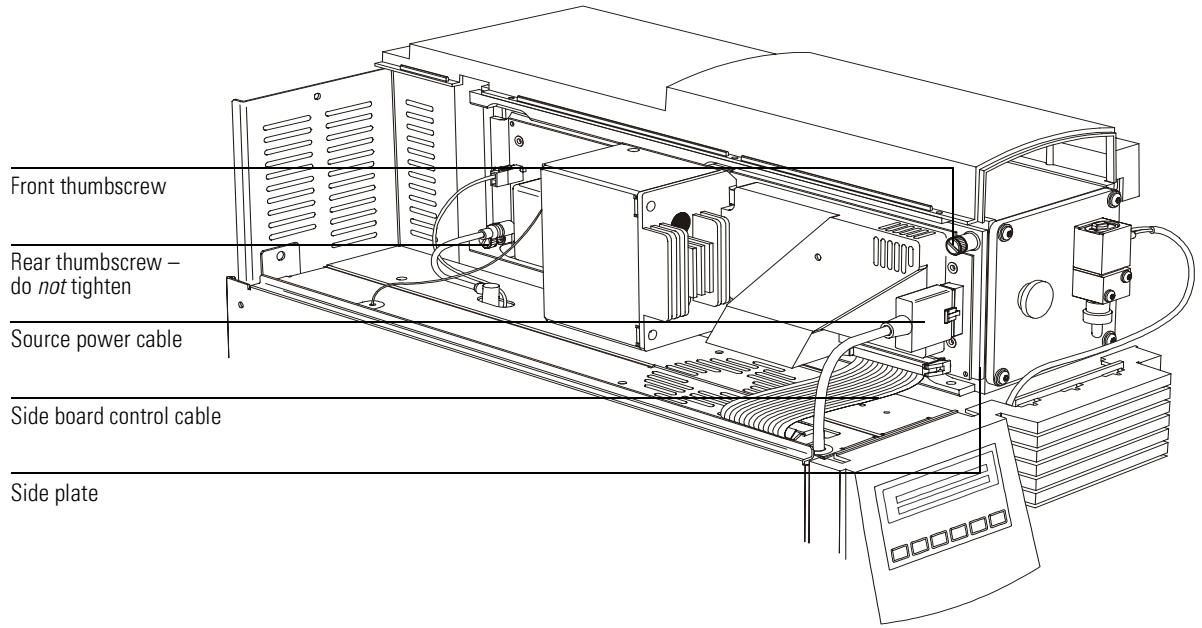
---

**8 Once the MSD has pumped down, reinstall the analyzer cover.**

Wait until after pumpdown to reinstall the analyzer cover.

---

**To close the analyzer chamber**



**To pump down the MSD**

---

## To pump down the MSD

*Software changes*

The software is revised periodically. If the steps in this procedure do not match your MSD ChemStation software, refer to the manuals and online help supplied with the software for more information.

**See also**

You can also use the Control Panel to perform this task. See the *5973N Control Panel Quick Reference Guide* for more information.

---

**WARNING**

**Make sure your MSD meets all the conditions listed in the introduction to this chapter (page 34) before starting up and pumping down the MSD. Failure to do so can result in personal injury.**

---

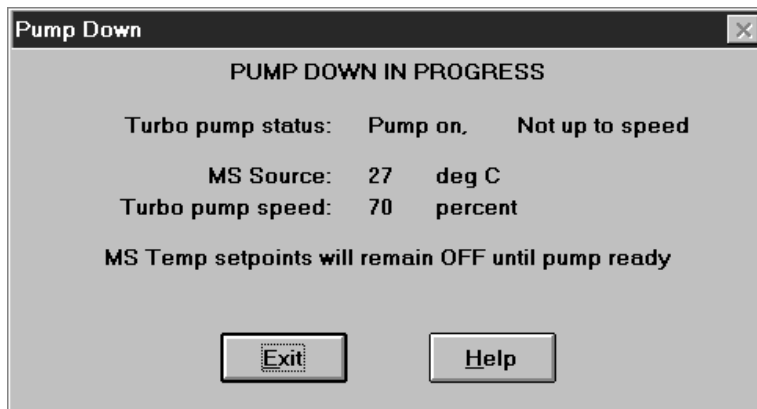
**WARNING**

**If you are using hydrogen as a carrier gas, do not start carrier gas flow until the MSD has been pumped down. If the vacuum pumps are off, hydrogen will accumulate in the MSD and an explosion may occur. Read the *Hydrogen Carrier Gas Safety Guide (5955-5398)* before operating the MSD with hydrogen carrier gas.**

- 1 Plug in the MSD power cord.**
- 2 Select Diagnostics/Vacuum Control from the View menu.  
Select Pump Down from the Vacuum menu.**
- 3 When prompted, switch on the MSD**
- 4 Press lightly on the side board to ensure a correct seal.**  
Press on the metal box on the side board.

The rough pump will make a gurgling noise. This noise should stop within a minute. If the noise continues, there is a **large** air leak in your system, probably at the side plate seal, the interface column nut, or the vent valve.

- 5 Once communication with the PC has been established, click OK.**



---

**CAUTION**

Within 10 to 15 minutes the diffusion pump should be hot, or the turbo pump speed up to 80%. The turbo pump speed should eventually reach 95%. If these conditions are not met, the MSD electronics will shut off the foreline pump. In order to recover from this condition, you must power cycle the MSD. If the MSD does not pump down correctly, see the manual or online help for information on troubleshooting air leaks and other vacuum problems.

- 
- 6 When prompted, turn on the GC/MSD interface heater and GC oven. Click OK when you have done so.**

The software will turn on the ion source and mass filter (quad) heaters. The temperature setpoints are stored in the current autotune (\*.u) file.

---

**CAUTION**

Do not turn on any GC heated zones until carrier gas flow is on. Heating a column with no carrier gas flow will damage the column.

- 7 After the message Okay to run appears, wait two hours for the MSD to reach thermal equilibrium.**

Data acquired before the MSD has reached thermal equilibrium may not be reproducible.

- 8 Reinstall the MSD top cover.**

The top cover was removed during the vent procedure.

## To pump down the CI MSD

*Software changes*

The software is revised periodically. If the steps in this procedure do not match your MSD ChemStation software, refer to the manuals and online help supplied with the software for more information.

**See also**

You can also use the Control Panel to perform this task. See the *5973N Control Panel Quick Reference Guide* for more information.

**1 Follow the instructions in the previous module.**

See “To pump down the MSD” on page 60.

After the software prompts you to turn on the interface heater and GC oven, perform the following steps.

**2 Check vacuum gauge controller to verify that the pressure is decreasing.**

**3 Press Gas A and Purge, and verify that the Gas A and Purge lights are on.**

**4 Verify that PCI<sub>CH4.U</sub> is loaded, and accept the temperature setpoints.**

Always start up, and verify system performance in PCI mode before switching to NCI.

**5 Set the GC/MSD interface to 320°C.**

**6 Purge for at least one hour.**

**7 Press the Purge button to turn off Purge.**

**8 Set Gas A to 20%.**

**9 Let system bake out and purge for at least two hours. If you will be running NCI, best sensitivity, bake the MSD out overnight.**

---

## To connect the gauge controller

*Materials needed:*

Gauge controller (59864B)

Power cord

Triode gauge cable (8120-6573)

The high-vacuum gauge controller is **required** for operating the MSD in CI mode.

---

### WARNING

**Never connect or disconnect the cable from the triode gauge tube while the MSD is under vacuum. Risk of implosion and injury due to broken glass exists.**

---

### CAUTION

Be sure to orient the cable and the gauge tube as illustrated. Excessive force on the pins can break the tube. Do not stress the cable.

- 1 Connect the triode gauge cable to the triode gauge tube.**
- 2 Connect the other end of the triode gauge cable to the gauge controller.**
- 3 Connect the power cord to the gauge controller.**
- 4 Connect the other end of the power cord to an appropriate electrical outlet.**

If you wish to share one controller among MSDs, obtain one cable for each instrument. Leave a cable connected to the triode gauge tube on each MSD. This will avoid having to vent the MSD before connecting the controller.

- 5 Pump down the MSD.**

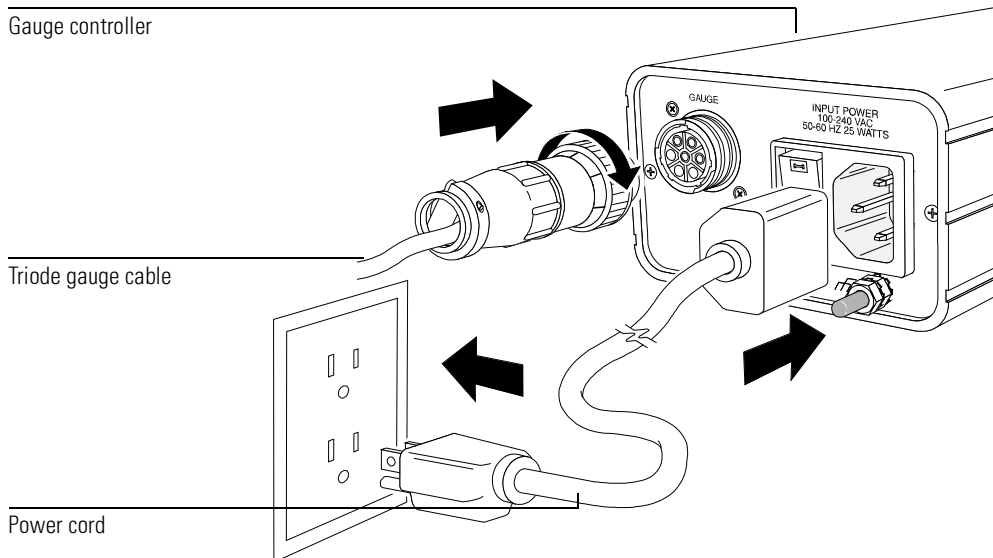
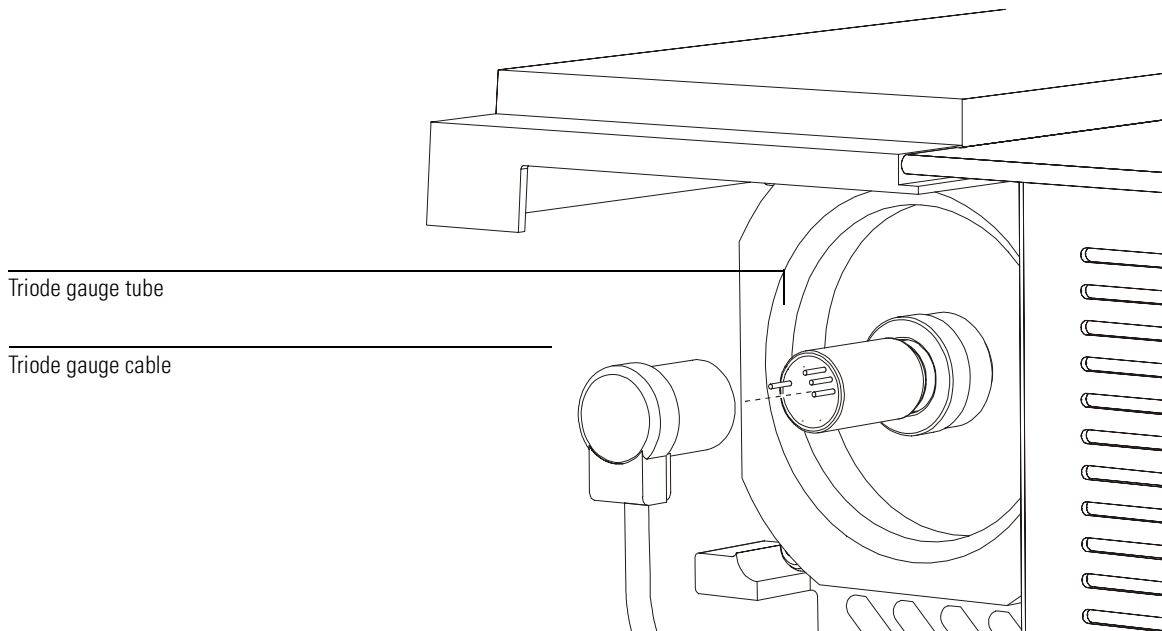
---

### CAUTION

Do **not** use a 59864A (older model) triode gauge controller during data acquisition. This model can be used for diagnostic purposes **only**.

## 2 Operating the MSD

### To connect the gauge controller





## To move or store the MSD

*Materials needed:*

Ferrule, blank (5181-3308)  
Interface column nut (05988-20066)  
Wrench, open-end, 1/4-inch × 5/16-inch (8710-0510)

- 1 Vent the MSD (page 54).**
- 2 Remove the column and install a blank ferrule and interface nut.**
- 3 Tighten the vent valve.**
- 4 If the MSD has a gauge controller, disconnect the cable from the triode gauge tube.**
- 5 Move the MSD away from the GC (page 171).**  
Unplug the GC/MSD interface heater cable from the GC.
- 6 Install the interface nut with the blank ferrule.**
- 7 Remove the analyzer cover (page 52).**
- 8 Tighten the side plate thumbscrews to “finger tight”.**

---

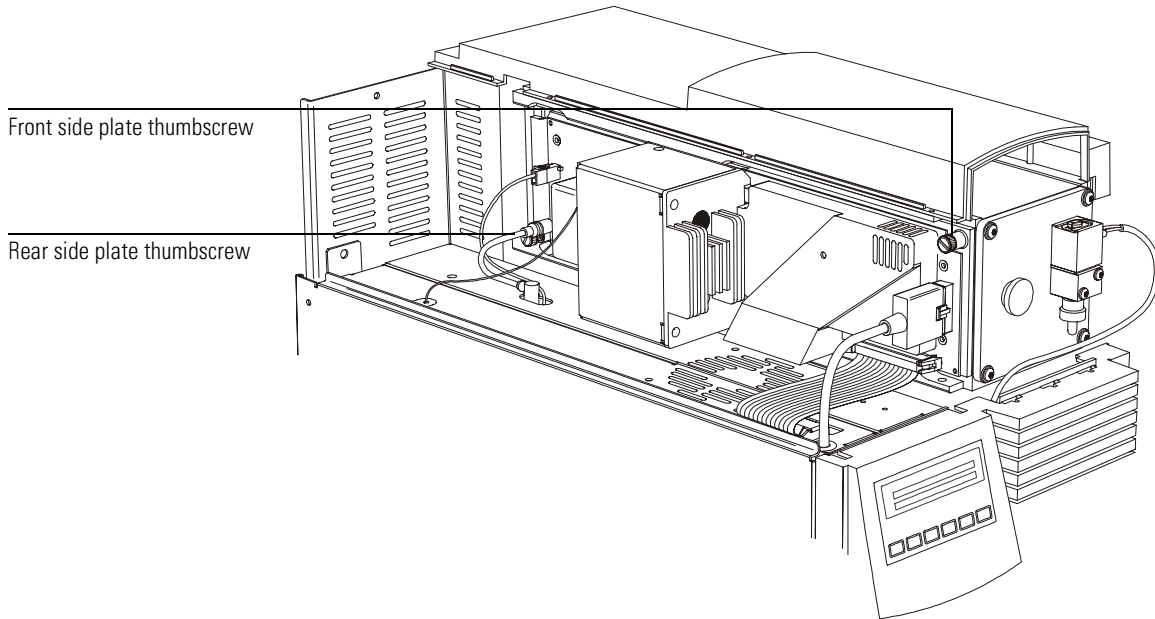
**CAUTION**

---

Do not overtighten the side plate thumbscrews. Overtightening will strip the threads in the analyzer chamber. It will also warp the side plate and cause leaks.

- 9 Plug the MSD power cord in.**
- 10 Switch the MSD on to establish a rough vacuum.**  
Verify that the foreline pressure is below 300 mTorr or the turbo pump speed greater than 50%.
- 11 Switch the MSD off.**
- 12 Reinstall the analyzer cover.**

**To move or store the MSD**



**13 Disconnect the LAN, remote, and power cables.**

The MSD can now be stored or moved. The foreline pump cannot be disconnected. It must be moved with the MSD. Make sure the MSD remains upright and is never tipped on its side or inverted.

---

**CAUTION**

---

The MSD must remain upright at all times. If you need to ship your MSD to another location, contact your Agilent Technologies service representative for advice about packing and shipping.

---

## To set the interface temperature from a 6890 Plus GC

### 1 Press the Aux # key on the GC keypad.

### 2 Press 2.

By default, the GC/MSD interface is powered by heated zone Thermal Aux #2 on the 6890 Series GC. Verify that the display shows **THERMAL AUX 2 (MSD)**.

### 3 Use the number keys to type in the new temperature setpoint.

The typical setpoint is 280°C. The limits are 0°C and 350°C. A setpoint below ambient temperature turns off the interface heater.

---

#### **CAUTION**

---

Never exceed the maximum temperature of your column.

---

#### **CAUTION**

---

Make sure that the carrier gas is turned on and the column has been purged of air before heating the GC/MSD interface or the GC oven.

### 4 Press the Enter key to download the new setpoint.

If you want the new setpoint to become part of the current method, click **Save** under the Method menu. Otherwise, the first time a method is loaded, all the setpoints in the method will overwrite those set from the GC keyboard.

## To vent the MSD without the ChemStation

If the MSD ChemStation is functioning, use the procedure on page 54. This procedure should **only** be used if it is absolutely necessary, if communication has failed.

- 1 If your system is equipped with a gauge controller, switch off the triode gauge tube and gauge controller.**
- 2 From the GC keypad, turn off the GC zone controlling the GC/MSD interface heater and set the GC oven to 30°C (see page 67).**
- 3 Disconnect the HIVAC POWER cable from the back panel.**

This turns off the MS heaters and the diffusion pump heater or turbo pump, but the cooling fans and foreline pump stay on.
- 4 After 45 minutes, turn off the MSD power switch.**
- 5 Unplug the MSD power cord.**

---

### WARNING

**If you are using hydrogen as a carrier gas, the carrier gas flow must be off before turning off the MSD power. If the foreline pump is off, hydrogen will accumulate in the MSD and an explosion may occur. Read the *Hydrogen Carrier Gas Safety Guide* (5955-5398) before operating the MSD with hydrogen carrier gas.**

---

### CAUTION

Be sure the GC oven and the GC/MSD interface are cool before turning off carrier gas flow.

- 6 Reconnect the HIVAC POWER cable.**
- 7 Remove the analyzer cover (page 52).**
- 8 Turn the vent valve knob counterclockwise to admit air into the analyzer chamber.**

Do not remove the knob. Be sure to retighten the knob before pumping down.

### See Also

*To open the analyzer chamber*, page 56

---

- To operate the CI MSD, 70
- To switch from EI to CI operating mode, 72
- To set up the software for CI operation, 73
- To set up methane reagent gas flow, 76
- CI autotune, 78
  - To perform a positive CI autotune (methane only), 80
  - To perform a negative CI autotune (any reagent gas), 82
- To verify positive CI performance, 84
- To verify negative CI performance, 85
- To operate the reagent gas flow control module, 74
- To monitor high vacuum pressure, 86
- To use other reagent gases, 88
- To switch from CI to EI operating mode, 92

---

## Operating the CI MSD

---

# Operating the MSD in CI mode

This chapter provides information and instructions about operating the 5973N CI MSDs in CI mode. Most of the material is related to methane chemical ionization but one section discusses the use of other reagent gases.

---

## NOTE

---

Sequencing is not appropriate for automating methods that use different reagent gases or gas flows, as these parameters must be set *manually*.

The software provides instructions for setting the reagent gas flow and for performing CI autotunes. Autotunes are provided for PCI with methane reagent gas and for NCI with any reagent gas.

### ***General guidelines***

- Always use the highest purity methane (and other reagent gases, if applicable.) Methane must be at least 99.99% pure.
- Always verify that the MSD is performing well in EI mode before switching to CI. See “To verify system performance” on page 51.
- Make sure the CI ion source and GC/MSD interface tip seal are installed.
- Make sure the reagent gas plumbing has no air leaks. This is determined in PCI mode, checking for  $m/z$  32 after the methane pre-tune.

### ***To operate the CI MSD***

Operating your MSD in the CI mode is slightly more complicated than operating in the EI mode. After tuning, gas flow, source temperature, and electron energy may need to be optimized for your specific analyte.

Temperatures for CI operation

	Ion source	Quadrupole	GC/MSD interface
PCI	250°C	150°C	320°C
NCI	150°C	150°C	280°C

***Start the system in PCI mode first.***

By bringing the system up in PCI mode first, you will be able to do the following:

- Set up the MSD with methane first, even if you are going to use another reagent gas.
- Check the interface tip seal by looking at the  $m/z$  28 to 27 ratio (in the methane flow adjust panel.).
- Tell if a gross air leak is present by monitoring the ions at  $m/z$ 19 (protonated water) and 32.
- Confirm if the MS is generating “real” ions and not just background noise.

It is nearly impossible to perform any diagnostics on the system in NCI. In NCI, there are no reagent gas ions to monitor for any gas. It is difficult to diagnose an air leak and difficult to tell whether a good seal is being created between the interface and the ion volume.

---

**N O T E**

---

The PCI (standard turbo pump) MSD requires lower reagent gas flows and lower reagent ion ratios than the PCI/NCI MSD.

**To switch from EI to CI operating mode**

---

To switch from EI to CI operating mode

---

**CAUTION**

Always verify MSD performance in EI before switching to CI operation. See page 51. Always set up the CI MSD in PCI first, even if you are going to run NCI

- 1 **Vent the MSD. See page 54.**
- 2 **Open the analyzer.**
- 3 **Remove the EI ion source.**

---

**CAUTION**

Electrostatic discharges to analyzer components are conducted to the side board where they can damage sensitive components. Wear a grounded anti-static wrist strap. See "Electrostatic discharge is a threat to the MSD electronics during maintenance" on page 158. Take anti-static precautions **before** you open the analyzer chamber.

- 4 **Install the CI ion source. See page 248.**
- 5 **Install the interface tip seal. See page 250.**
- 6 **Close the analyzer.**
- 7 **Pump down the MSD. See page 60.**



---

## To set up the software for CI operation

- 1 **Switch to the Manual Tune view.**
- 2 **Select Load Tune Values from the File menu.**
- 3 **Select the tune file PCICH4.U.**
- 4 **If CI autotune has never been run for this tune file, the software will prompt you through a series of dialog boxes. *Accept the default values unless you have a very good reason for changing anything.***

The tune values have a dramatic effect on MSD performance. Always start with the default values when first setting up for CI, and then make adjustments for your specific application. See the table below for default values for the Tune Control Limits box.

**Default Tune Control Limits, used by CI autotune only. These limits should *not* be confused with the parameters set in Edit MS Parameters, or with those appearing on the tune report.**

Reagent gas	Methane		Isobutane <sup>a</sup>		Ammonia <sup>a</sup>	
	Positive	Negative <sup>a</sup>	Positive <sup>a</sup>	Negative <sup>a</sup>	Positive <sup>a</sup>	Negative <sup>a</sup>
Ion polarity	Positive	Negative <sup>a</sup>	Positive <sup>a</sup>	Negative <sup>a</sup>	Positive <sup>a</sup>	Negative <sup>a</sup>
Abundance target <sup>b</sup> ,	1x10 <sup>6</sup>	1x10 <sup>6</sup>	N/A <sup>c</sup>	1x10 <sup>6</sup>	N/A <sup>c</sup>	1x10 <sup>6</sup>
Peakwidth target <sup>d</sup>	0.6	0.6	N/A <sup>c</sup>	0.6	N/A <sup>c</sup>	0.6
Maximum repeller	4	4	N/A <sup>c</sup>	4	N/A <sup>c</sup>	4
Maximum emission current <sup>e</sup>	240	50	N/A <sup>c</sup>	50	N/A <sup>c</sup>	50
Max electron energy, eV	240	240	N/A <sup>c</sup>	240	N/A <sup>c</sup>	240

- a. Always set up in PCI with methane first, then switch to your desired ion polarity and reagent gas.
- b. Adjust higher or lower to get desired signal abundance. Higher signal abundance also gives higher noise abundance. This is adjusted for data acquisition by setting the EMV in the method.
- c. There are no PFDTD ions formed in PCI with any reagent gas but methane, hence, CI autotune is not available with these configurations.
- d. Higher peakwidth values give better sensitivity, lower values give better resolution.
- e. Optimum emission current maximum for NCI is very compound-specific, and must be selected empirically. Optimum emission current for pesticides, for example, may be about 200 $\mu$ A.

**To operate the reagent gas flow control module****To operate the reagent gas flow control module**

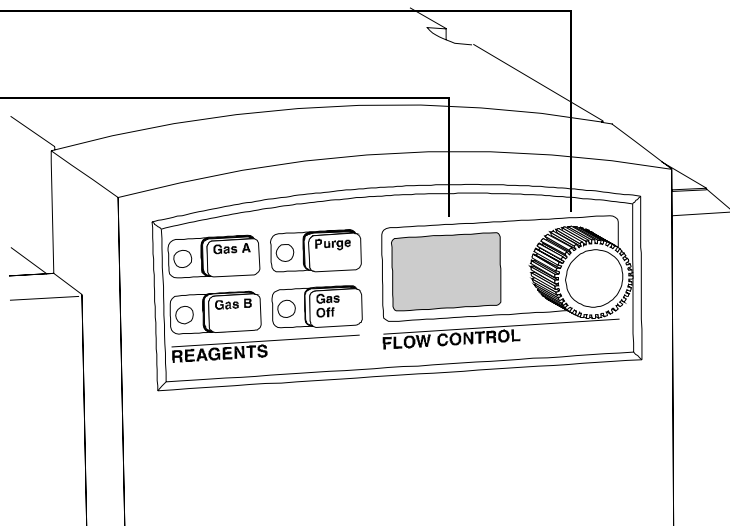
For a video demonstration of the gas flow control module, see the 5973N MSD Maintenance CD-ROM.

<b>Flow control module state diagram:</b>						
Result	Gas A flows	Gas B flows	Purge with Gas A	Purge with Gas B	Pump out flow module	Standby, vented, or EI mode
Control panel lights (LEDs)						
Gas A (green)	On	Off	On	Off	Off	Off
Gas B (amber)	Off	On	Off	On	Off	Off
Purge (red)	Off	Off	On	On	On	Off
Gas Off (red)	Off	Off	Off	Off	On	On
Valve state						
Valve A	Open	Closed	Open	Closed	Closed	Closed
Valve B	Closed	Open	Closed	Open	Closed	Closed
MFC setting	On → setpoint	On → setpoint	On → 100%	On → 100%	On → 100%	Off (→0%)
Isolation valve	Open	Open	Open	Open	Open	Closed

**To operate the reagent gas flow control module**

Flow control knob (mass flow control knob)

Flow control display



## To set up methane reagent gas flow

The reagent gas flow must be adjusted for maximum stability before tuning the CI system. Do the *initial* setup with methane in positive ion mode (PCI). No flow adjustment procedure is available for NCI, as no negative reagent ions are formed.

Adjusting the methane reagent gas flow is a three-step process: setting the flow control, pre-tuning on the reagent gas ions, and adjusting the flow for stable reagent ion ratios, for methane,  $m/z$  28/27.

Your data system will prompt you through the flow adjustment procedure.

---

### CAUTION

---

After the system has been switched from EI to CI mode, or vented for any other reason, the MSD must be baked out for at least 2 hours before tuning.

- 1 Press the Gas A button. Verify that only the Gas A light is on.**
- 2 Adjust the flow to 20% for PCI/NCI MSDs, or 10% for PCI MSDs.**
- 3 Check the vacuum gauge controller to verify correct pressure. See page 86.**
- 4 Select Methane Pretune from the Setup menu.**

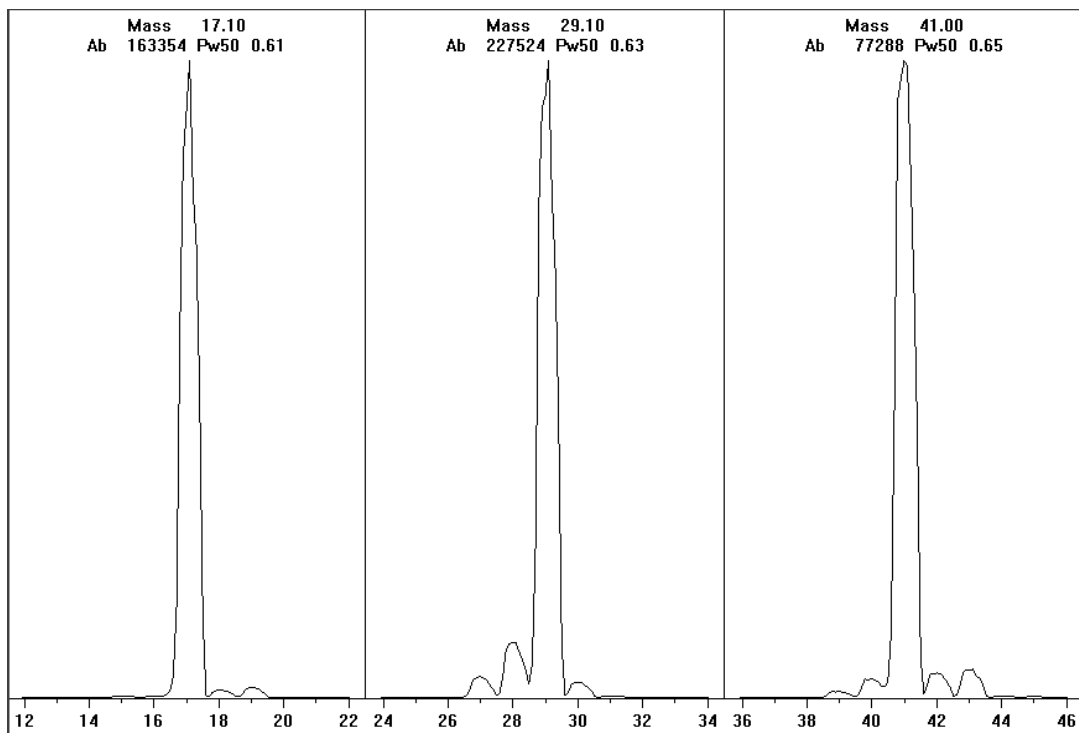
The methane pretune tunes the instrument for optimum monitoring of the ratio of methane reagent ions  $m/z$  28/27.

- 5 Examine the displayed profile scan of the reagent ions.**
  - Make sure there is no visible peak at  $m/z$  32. A peak there indicates an air leak. If such a peak is present, find and repair the leak before proceeding. Operating in the CI mode with an air leak will rapidly contaminate the ion source.
  - Make sure that the peak at  $m/z$  19 (protonated water) is less than 50% of the peak at  $m/z$  17.
- 6 Perform the Methane Flow Adjust.**

Adjust the methane flow on the PCI/NCI MSD to get the ratio of  $m/z$  28/27 between 1.5 and 5.0. Adjust the methane flow on the PCI MSD to get the ratio of  $m/z$  28/27 between 0.5 and 3.0.

**CAUTION**

Continuing with CI autotune if the MSD has an air leak or large amounts of water will result in **severe** ion source contamination. If this happens, you will need to **vent the MSD** and **clean the ion source**.



Methane pre-tune after more than a day of baking out. Note the low abundance of  $m/z$  19 and absence of any visible peak at  $m/z$  32. Your MSD will probably show more water at first, but the abundance of  $m/z$  19 should still be less than 50% of  $m/z$  17.

## CI autotune

After the reagent gas flow is adjusted, the lenses and electronics of the MSD should be tuned. Perfluoro-5,8-dimethyl-3,6,9-trioxidodecane (PFDTD) is used as the calibrant. Instead of flooding the entire vacuum chamber, the PFDTD is introduced directly into the ionization chamber through the GC/MSD interface by means of the gas flow control module.

---

### CAUTION

---

After the system has been switched from EI to CI mode, or vented for any other reason, the MSD must be purged and baked out for at least 2 hours before tuning. Longer bakeout is recommended before running samples requiring optimal sensitivity.

There is a PCI autotune for methane only, as there are no PFDTD ions produced by other gases in positive mode. PFDTD ions are visible in NCI for any reagent gas. Always tune for methane PCI first regardless of which mode or reagent gas you wish to use for your analysis.

There are no tune performance criteria. If CI autotune completes, it passes. EMVolts (electron multiplier voltage) at or above 2600V, however, indicates a problem. If your method requires EMVolts set at +400, you may not have adequate sensitivity in your data acquisition.

---

### CAUTION

---

Always verify MSD performance in EI before switching to CI operation. See page 51. Always set up the CI MSD in PCI first, even if you are going to run NCI

### Default (starting) CI tune parameters)

---

**Suggested starting parameters for EI/PCI/NCI MSDs**

Reagent gas	Methane		Isobutane		Ammonia		EI
Ion polarity	Positive	Negative	Positive	Negative	Positive	Negative	N/A
Emission	150 $\mu$ A	50 $\mu$ A	150 $\mu$ A	50 $\mu$ A	150 $\mu$ A	50 $\mu$ A	35 $\mu$ A
Electron energy	150 eV	150eV	150eV	150eV	150eV	150eV	70
Filament	1	1	1	1	1	1	1 or 2
Repeller	3 V	3 V	3 V	3 V	3 V	3 V	30 V
Ion focus	130 V	130 V	130 V	130 V	130 V	130 V	90 V
Entrance lens offset	20V	20	20V	20	20V	20	25
EMVolts	1200	1200	1200	1200	1200	1200	1200
Gas Off	Off	Off	Off	Off	Off	Off	On
Gas select valve	A	A	B	B	B	B	None
Suggested flow	20%	40%	20%	40%	20%	40%	N/A
Source temp	250°C	150°C	250°C	150°C	250°C	150°C	230°C
Quad temp	150°C	150°C	150°C	150°C	150°C	150°C	150°C
Interface temp	320°C	280°C	320°C	280°C	320°C	280°C	280°C
Autotune	Yes	Yes	No	Yes	No	Yes	Yes

**Suggested starting parameters for EI/PCI MSDs**

Reagent gas	Methane	Isobutane	Ammonia	EI
Ion polarity: positive <i>only</i>				
Emission	150 $\mu$ A	150 $\mu$ A	150 $\mu$ A	35 $\mu$ A
Electron energy	150 eV	150eV	150eV	70
Filament	1	1	1	1 or 2
Repeller	3 V	3 V	3 V	30 V
Ion focus	130 V	130 V	130 V	90 V
Entrance lens offset	20V	20V	20V	25
EMVolts	1200	1200	1200	1200
Gas Off	Off	Off	Off	On
Gas select valve	A	B	B	None
Suggested flow	10%	10%	10%	N/A
Source temp	250°C	250°C	250°C	230°C
Quad temp	150°C	150°C	150°C	150°C
Interface temp	320°C	320°C	320°C	280°C
Autotune	Yes	No	No	Yes

**To perform a positive CI autotune (methane only)**

---

## To perform a positive CI autotune (methane only)

---

**CAUTION**

Always verify MSD performance in EI before switching to CI operation. See page 51. Always set up the CI MSD in PCI first, even if you are going to run NCI

- 1 Verify that the MSD performs correctly in EI mode first. See page 51.**
- 2 Load the PCICH4.U tune file (or an existing tune file for the reagent gas you are using).**

If you use an existing tune file, be sure to save it with a new name if you don't want to over write the existing values.
- 3 Accept the default settings.**
- 4 Perform methane setup. See page 76.**
- 5 Under the Tune menu, click CI Autotune.**

---

**CAUTION**

Avoid tuning more often than is absolutely necessary; this will minimize PFDTD background noise, and help prevent ion source contamination.

There are no tune performance criteria. If autotune completes, it passes. If the tune sets the electron multiplier voltage (EMVolts) at or above 2600V, however, you may not be able to acquire data successfully if your method sets EMVolts to "+400" or higher.

The autotune report contains information about air and water in the system.

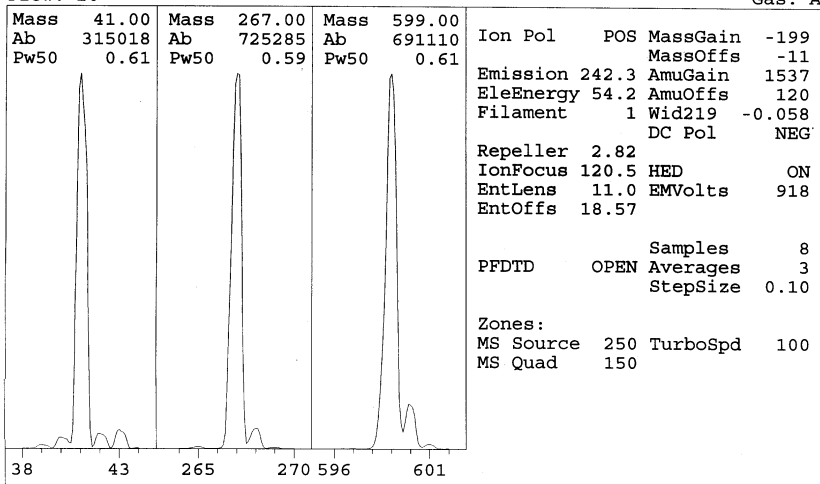
The 19/29 ratio shows the abundance of water.

The 32/29 ratio shows the abundance of oxygen.

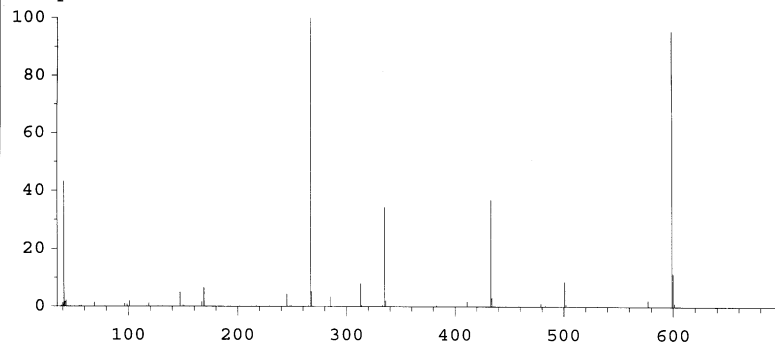


## To perform a positive CI autotune (methane only)

PCI mode Methane Tune  
 Instrument: GC\_MS Instrument #1  
 Wed Aug 25 11:19:30 1999  
 Flow: 20  
 C:\HPCHEM\1\5973N\PCI4.U  
 Gas: A



Scan: 35.00 - 700.00 Samples: 8 Thresh: 100 Step: 0.10  
 200 peaks Base: 267.00 Abundance: 659968



Mass	Abund	Rel Abund	Iso Mass	Iso Abund	Iso Ratio
41.10	285952	100.00	42.00	11676	4.08
267.00	659968	230.80	268.00	35528	5.38
599.00	630784	220.59	600.00	75248	11.93

CI Reagent Ions: 17/29 Ratio: 0.48 19/29 Ratio: 0.07 32/29 Ratio: 0.00  
 28/27 Ratio: 2.9 28/29 Ratio: 0.08  
 41/29 Ratio: 0.30 29 Abundance: 948608 counts

**To perform a negative CI autotune (any reagent gas)**

---

**To perform a negative CI autotune (any reagent gas)**

---

**CAUTION**

Always verify MSD performance in EI before switching to CI operation. See page 51.  
Always set up the CI MSD in PCI first, even if you are going to run NCI

- 1 Load NCIC4.U (or an existing tune file for the reagent gas you are using).**  
If you use an existing tune file, be sure to save it with a new name if you don't want to over write the existing values.
- 2 Accept the default temperature and other settings.**
- 3 If you don't already have an NCI tune file for your reagent gas, use Select Reagent Gas under the Setup menu.**
- 4 Under the Tune menu, click CI Autotune.**

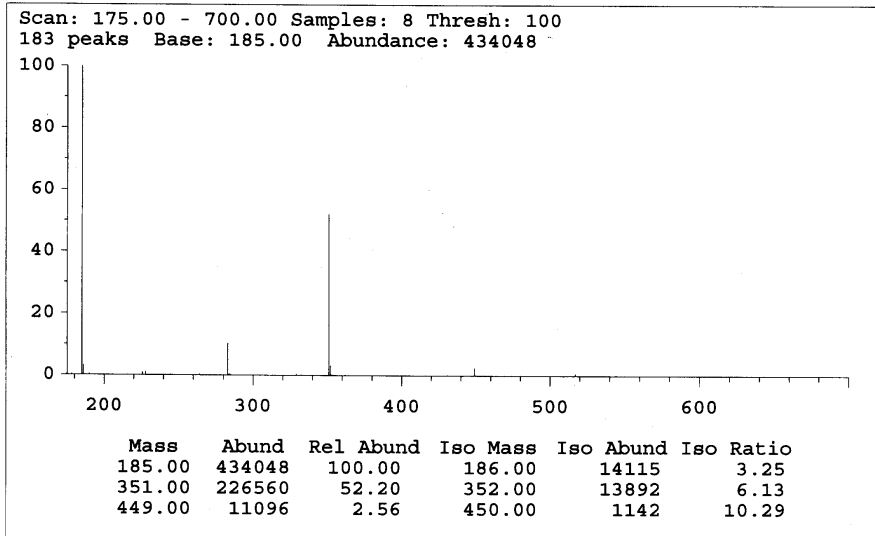
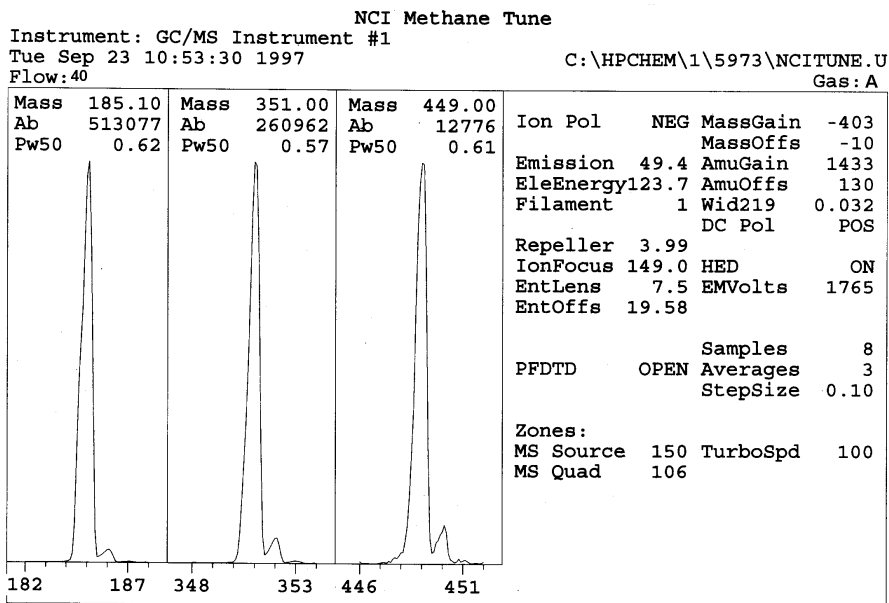
---

**CAUTION**

Avoid tuning unless absolutely necessary; this will minimize PFDTD background noise, and help prevent ion source contamination.

There are no tune performance criteria. If autotune completes, it passes. If the tune sets the electron multiplier voltage (EMVolts) at or above 2600V, however, you may not be able to acquire data successfully if your method sets EMVolts to "+400" or higher.

To perform a negative CI autotune (any reagent gas)



**To verify positive CI performance**

---

## To verify positive CI performance

*Materials needed:* Benzophenone, 100 pg/μl (8500-5440)

---

**CAUTION**

Always verify MSD performance in EI before switching to CI operation. See page 51.  
Always set up the CI MSD in PCI first, even if you are going to run NCI

---

- 1 Verify that the PCICH4.U tune file is loaded.**
- 2 On the flow control panel, turn Purge off.**
- 3 Set Gas A to 20% flow for PCI/NCI MSDs, or 10% for PCI MSDs.**
- 4 In Manual Tune view, perform CI setup. See page 76.**
- 5 Run CI Autotune. See page 78.**
- 6 Run the PCI sensitivity method: BENZ\_PCI.M, using 1 μl of 100pg/μl Benzophenone.**
- 7 Verify that the system conforms to the published sensitivity specification.**

**See also**

*The 5973Network Series Mass Selective Detector Specifications, 5968-7358E.*

## To verify negative CI performance

This procedure is for EI/PCI/NCI MSDs *only*

*Materials needed:* OFN, 1 pg/μl (8500-5441)

---

### CAUTION

Always verify MSD performance in EI before switching to CI operation. See page 51.  
Always set up the CI MSD in PCI first, even if you are going to run NCI

---

- 1 Verify that the MSD performs correctly in EI mode.**
- 2 Load the NCICH4.U tune file, and accept the temperature setpoints.**
- 3 Turn Purge and Gas A on and let the system stabilize for 90 minutes.**
- 4 Turn Purge off, and set Gas A to 40% flow.**
- 5 In Manual Tune view, run CI Autotune. See page 85.**  
Note that there are no criteria for a “passing” Autotune in CI. If the Autotune completes, it passes.
- 6 Run the NCI sensitivity method: OFN\_NCI.M using 1 μl of 1pg/μl OFN.**
- 7 Verify that the system conforms to the published sensitivity specification.**

### See also

*The 5973Network Series Mass Selective Detector Specifications (5968-7358E.)*

**To monitor high vacuum pressure**

---

## To monitor high vacuum pressure

*Materials needed:*

Gauge controller (59864B)  
Triode gauge cable (8120-6573)

---

**WARNING**

**Never connect or disconnect the cable from the triode gauge tube while the MSD is under vacuum. Risk of implosion and injury due to broken glass exists.**

---

**WARNING**

**If you are using hydrogen as a carrier gas, do not turn on the triode gauge tube if there is any possibility that hydrogen has accumulated in the manifold. The triode gauge filament can ignite hydrogen. Read the *Hydrogen Carrier Gas Safety Guide* (5955-5398) before operating the MSD with hydrogen carrier gas.**

- 1 Connect the gauge controller to the triode gauge tube. See page 63.**
- 2 Start up and pump down the MSD. See page 60.**
- 3 Switch on the power switch on the back of the gauge controller.**
- 4 Press and release the GAUGE button.**

After a few seconds, the pressure should be displayed.

Pressure is displayed in the format **X.X – X** where **– X** is the base 10 exponent. Units are Torr.

The gauge controller will not turn on if the pressure in the MSD is above approximately  $8 \times 10^{-3}$  Torr. The gauge controller will display all 9s and then go blank. The triode gauge tube can measure pressures between approximately  $8 \times 10^{-3}$  and  $3 \times 10^{-6}$  Torr. The gauge controller is calibrated for nitrogen, but all pressures listed in this manual are for helium.

The largest influence on operating pressure is the carrier gas (column) flow. The following table lists typical pressures for various helium carrier gas flows. These pressures are approximate and will vary from instrument to instrument.

### Typical pressure readings

Use the 59864B high-vacuum gauge controller. Note that the mass flow controller is calibrated for methane, and the high vacuum gauge controller is calibrated for nitrogen, so these measurements are not accurate, but are intended as a guide to typical observed readings. They were taken with the following set of conditions. Note that these are typical PCI temperatures:

Source temperature	250°C
Quad temperature	150°C
Interface temperature	320°C
Helium carrier gas flow	1ml/min

### MFC (%) Pressure (Torr)

	Methane		Ammonia	
	EI/PCI/NCI MSD (Performance turbo pump)	EI/PCI MSD (Standard turbo pump) Not	EI/PCI/NCI MSD (Performance turbo pump)	EI/PCI MSD (Standard turbo pump)
10	$5.5 \times 10^{-5}$	$2.0 \times 10^{-4}$	$5.0 \times 10^{-5}$	$1.5 \times 10^{-4}$
15	$8.0 \times 10^{-5}$	$2.5 \times 10^{-4}$	$7.0 \times 10^{-5}$	$2.0 \times 10^{-4}$
20	$1.0 \times 10^{-4}$	$3.0 \times 10^{-4}$	$8.5 \times 10^{-5}$	$3.0 \times 10^{-4}$
25	$1.2 \times 10^{-4}$	Not recommended	$1.0 \times 10^{-4}$	Not recommended
30	$1.5 \times 10^{-4}$	Not recommended	$1.2 \times 10^{-4}$	Not recommended
35	$2.0 \times 10^{-4}$	Not recommended	$1.5 \times 10^{-4}$	Not recommended
40	$2.5 \times 10^{-4}$	Not recommended	$2.0 \times 10^{-4}$	Not recommended

Familiarize yourself with the measurements on **your** system under operating conditions, and watch for **changes** that may indicate a vacuum or gas flow problem. Measurements will vary by as much as 30% from one MSD and gauge controller to the next.

**To use other reagent gases**

---

## To use other reagent gases

This section describes the use of isobutane or ammonia as the reagent gas. You should be familiar with operating the CI-equipped 5973N MSD with methane reagent gas before attempting to use other reagent gases.

---

**CAUTION**

---

Do not use nitrous oxide as a reagent gas. It radically shortens the life span of the filament.

Changing the reagent gas from methane to either isobutane or ammonia changes the chemistry of the ionization process and yields different ions. The principal chemical ionization reactions encountered are described in general in Appendix A, *Chemical Ionization Theory*. If you are not experienced with chemical ionization, we suggest reviewing that material before you proceed.

---

**CAUTION**

---

Not all setup operations can be performed in all modes with all reagent gases. See the following table for details.



Reagent gas/ mode	Reagent ion masses	PFDTD Calibrant ions	Flow adj ions: Ratio	Flow adj ions: Ratio
			EI/PCI/NCI MSD Performance turbo pump Recommended flow: 20%	EI/PCI MSD Standard turbo pump Recommended flow: 10%
Methane/ PCI	17, 29, 41 <sup>a</sup>	41, 267, 599	28/27: 1.5 – 5.0	28/27: 0.5 – 3.0
Methane/ NCI	17, 35, 235 <sup>b</sup>	185, 351, 449	N/A	No negative CI capability
Isobutane/ PCI	39, 43, 57	N/A	57/43: 5.0 – 30.0	57/43: 1.0 – 5.0
Isobutane/ NCI	17, 35, 235	185, 351, 449	N/A	No negative CI capability
Ammonia/ PCI	18, 35, 52	N/A	35/18: 0.1 – 1.0	35/18: 0.02 – 0.2
Ammonia/ NCI	17, 35, 235	185, 351, 517	N/A	No negative CI capability

- a. There are **no** PFDTD ions formed with any reagent gas but methane. Tune with methane and use the same parameters for the other gas.
- b. There are **no negative** reagent gas ions formed. To pretune in negative mode, use background ions: 17 (OH<sup>-</sup>), 35 (Cl<sup>-</sup>), and 235 (ReO<sub>3</sub><sup>-</sup>). These ions can not be used for reagent gas flow adjustment. Set flow to 40% for NCI and adjust as necessary to get acceptable results for your application.

### Isobutane CI

Isobutane (C<sub>4</sub>H<sub>10</sub>) is commonly used for chemical ionization when less fragmentation is desired in the chemical ionization spectrum. This is because the proton affinity of isobutane is higher than that of methane; hence, less energy is transferred in the ionization reaction. Addition and proton transfer are the ionization mechanisms most often associated with isobutane. The sample itself influences which mechanism dominates.

#### To use other reagent gases

#### Ammonia CI

Ammonia (NH<sub>3</sub>) is commonly used for chemical ionization when less fragmentation is desired in the chemical ionization spectrum. This is because the proton affinity of ammonia is higher than that of methane; hence, less energy is transferred in the ionization reaction. Because many compounds of interest have insufficient proton affinities, ammonia chemical-ionization spectra often result from the addition of NH<sub>4</sub><sup>+</sup> and then, in some cases, from the subsequent loss of water. Ammonia reagent ion spectra have principal ions at *m/z* 18, 35, and 52, corresponding to NH<sub>4</sub><sup>+</sup>, NH<sub>4</sub>(NH<sub>3</sub>)<sup>+</sup>, and NH<sub>4</sub>(NH<sub>3</sub>)<sub>2</sub><sup>+</sup>.

To adjust your MSD for isobutane or ammonia chemical ionization, use the following procedure:

**1 Perform a standard Positive CI autotune with methane and PFDTD.**

**2 Under the Setup menu, click Select Reagent Gas and select Isobutane or Ammonia.**

This will change the menus to use the selected gas, and select appropriate default tune parameters.

**3 Select a new tune file name, or load an existing PCI tune file for the specific gas.**

If you use an existing tune file, be sure to save it with a new name if you don't want to over write the existing values. Accept the default temperature and other settings.

**4 Turn Gas B on.**

After the amber light stops flashing and the Purge light goes off, set the gas flow to 20%.

**5 Click Isobutane (or Ammonia) Flow Adjust on the Setup menu.**

There is no CI autotune for isobutane or ammonia in PCI.

**6 If you wish to run NCI with isobutane or ammonia, load NCICH4.U, or load an existing NCI tune file for the specific gas.**

---

**CAUTION**

---

Use of ammonia affects the maintenance requirements of the MSD. See the maintenance chapter for more information.

---

**CAUTION**

The pressure of the ammonia supply must be less than 5 psig. Higher pressures can result in ammonia condensing from a gas to a liquid.

Always keep the ammonia tank in an upright position, below the level of the flow module. Coil the ammonia supply tubing into several vertical loops by wrapping the tubing around a can or bottle. This will help keep any liquid ammonia out of the flow module.

---

Ammonia tends to break down vacuum pump fluids and seals. Ammonia CI makes more frequent vacuum system maintenance necessary.

**See also**

To minimize foreline pump damage from ammonia, 254.

---

**CAUTION**

When running ammonia for five or more hours a day, the foreline pump must be ballasted for at least one hour a day to minimize damage to pump seals. See page 254. Always purge the MSD with methane after flowing ammonia.

---

Frequently, a mixture of 5% ammonia and 95% helium or 5% ammonia and 95% methane is used as a CI reagent gas. This is enough ammonia to achieve good chemical ionization while minimizing its negative effects.

**Carbon dioxide NCI**

Carbon dioxide is often used as a buffer gas for negative CI. It has obvious advantages of availability and safety.

**To switch from CI to EI operating mode**

---

To switch from CI to EI operating mode

- 1 **Press the Gas Off button to close the isolation valve.**
- 2 **Vent the MSD. See page 54.**  
The software will prompt you for the appropriate actions.
- 3 **Open the analyzer.**
- 4 **Remove the CI interface tip seal. See page 250.**
- 5 **Remove the CI ion source. See page 248.**
- 6 **Install the EI ion source. See page 216.**
- 7 **Place the CI ion source and interface tip seal in the ion source storage box.**
- 8 **Pump down the MSD. See page 60.**
- 9 **Load your EI tune file.**

---

**CAUTION**

---

Always wear clean gloves while touching the analyzer or any other parts that go inside the analyzer chamber.

---

**CAUTION**

---

Electrostatic discharges to analyzer components are conducted to the side board where they can damage sensitive components. Wear a grounded anti-static wrist strap and take other anti-static precautions **before** you open the analyzer chamber. See page 158.

General symptoms, 96  
Chromatographic symptoms, 98  
Mass spectral symptoms, 103  
Pressure symptoms, 107  
Temperature symptoms, 110  
Error messages, 112  
Air leaks, 118  
Contamination, 119

---

## Troubleshooting the MSD

How to identify the symptoms and causes of problems in your MSD

---

# Troubleshooting the MSD

This chapter is a quick reference to symptoms and possible causes of the most common problems experienced by the 5973N Mass Selective Detector (MSD). Related symptoms are grouped in these categories:

- General symptoms
- Chromatographic symptoms
- Mass spectral symptoms
- Pressure symptoms
- Temperature symptoms
- Error messages
- Contamination
- Air leaks

For each symptom, one or more possible causes are listed. The possible causes listed are not in a strict order. In general, however, the possible causes listed first are the most likely causes **or** the easiest to check and correct. See CI Troubleshooting, 121 for help with CI-specific problems.

This section is only a quick reference. No corrective actions are listed for the possible causes for each symptom. For more extensive troubleshooting information, see the *Troubleshooting (5973N MSD)* section in the online help of the MSD ChemStation software. The online troubleshooting provides more explanation and, in many cases, corrective actions.

---

## WARNING

**This chapter does not include corrective actions for the possible causes listed. Some of the corrective actions required may be dangerous if performed incorrectly. Do not attempt any corrective actions unless you are sure you know the correct procedure and the dangers involved. See the *Troubleshooting (5973N MSD)* section in the online help and the other chapters in this manual for more information.**

---

If the material in this chapter and in the online help proves insufficient to help you diagnose a problem, contact your Agilent Technologies service representative.

### ***Troubleshooting tips and tricks***

The following are general rules for troubleshooting, with specific examples.

#### ***Rule 1: “Look for what has been changed.”***

Many problems are introduced accidentally by human actions. Every time any system is disturbed, there is a chance of introducing a new problem.

- If the MSD was just pumped down after maintenance, suspect air leaks or incorrect assembly.
- Carrier gas or helium gas purifier were just changed, suspect leaks or contaminated or incorrect gas.
- If the GC column was just replaced, suspect air leaks or contaminated or bleeding column.

#### ***Rule 2: “If complex isn’t working, go back to simple.”***

A complex task is not only more difficult to perform, but also more difficult to troubleshoot as well.

- If you’re having trouble detecting your sample, verify that autotune is successful.

#### ***Rule 3: “Divide and conquer.”***

This technique is known as “half-split” troubleshooting. If you can isolate the problem to only part of the system, it is much easier to locate.

- To determine whether an air leak is in the GC or the MSD, you can vent the MSD, remove the column, and install the blank interface ferrule. If the leak goes away, it was in the GC.

### General symptoms

---

## General symptoms

This section describes symptoms you might observe when first turning on the GC/MSD system. All of these symptoms would prevent operation of the system.

### **GC does not turn on**

This refers to a condition in which nothing happens when the GC is switched on. The GC fans do not turn on and the keypad display does not light.

- Disconnected GC power cord
- No voltage or incorrect voltage at the electrical outlet
- Failed fuse in the GC
- GC power supply is not working correctly

### **MSD does not turn on**

This refers to a condition in which nothing happens when the MSD is switched on. The foreline pump does not start. The cooling fan for the high vacuum pump does not turn on. The control panel is not on.

- Disconnected MSD power cord
- No voltage or incorrect voltage at the electrical outlet
- Failed primary fuses
- MSD electronics are not working correctly

### **Foreline pump is not operating**

This refers to a condition where the MSD is receiving power (the fan is operating and the control panel is lit) but the foreline pump is not operating.

- Large air leak (usually the analyzer door open) has caused pumpdown failure. See “Pumpdown failure shutdown” on page 261. Note that you must power cycle the MSD to recover from this state.
- Disconnected foreline pump power cord
- Malfunctioning foreline pump



**MSD turns on but then the foreline pump shuts off**

MSDs will shut down both the foreline pump and the high vacuum pump if the system fails to pump down correctly. This is usually because of a large air leak: either the sideplate has not sealed correctly or the vent valve is still open. This feature helps prevent the foreline pump from sucking air through the system, which can damage the analyzer and pump.

See “Pumpdown failure shutdown” on page 261. Note that you must power cycle the MSD to recover from this state.

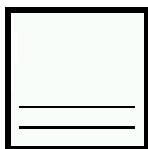
**Control panel says “No server found”**

- Disconnected LAN cable between MSD and the hub, or the hub and the PC
- PC is turned off

## Chromatographic symptoms

This section describes symptoms you may observe in the chromatograms generated by data acquisition. In general, these symptoms do not prevent you from operating your GC/MSD system. They indicate, however, that the data you are acquiring may not be the best data obtainable. These symptoms can be caused by instrument malfunctions but are more likely caused by incorrect chromatographic technique.

Two of the symptoms: *If sensitivity is low* and *If repeatability is poor*, also apply to mass spectral data.



### **No peaks**

If an analysis shows no chromatographic peaks, only a flat baseline or minor noise, run one of the automated tune programs. If the MSD passes tune, the problem is most likely related to the GC. If the MSD does not pass tune, the problem is most likely in the MSD.

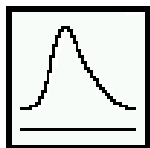
### ***Passes tune***

- Incorrect sample concentration
- No analytes present
- Syringe missing from the ALS or not installed correctly
- Injection accidentally made in split mode instead of splitless mode
- Empty or almost empty sample vial
- Dirty injection port
- Leaking injection port\*
- Loose column nut at the injection port\*

\* These could cause a fault condition in the GC that would prevent the GC from operating.

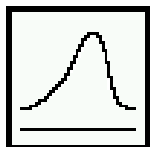
***Does not pass tune***

- Calibration vial is empty
- Excessive foreline or analyzer chamber pressure
- Very dirty ion source
- Calibration valve is not working correctly
- Bad signal cable connection
- Filament has failed or is not connected correctly
- Bad ion source wiring connection
- Bad detector wiring connection
- Failed electron multiplier horn



**Peaks are tailing**

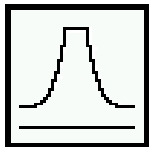
- Active sites in the sample path
- Injection is too large
- Incorrect injection port temperature
- Insufficient column flow
- GC/MSD interface temperature is too low
- Ion source temperature is too low



**Peaks are fronting**

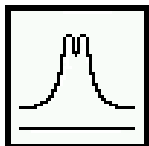
- Column film thickness mismatched with analyte concentration (column overload)
- Initial oven temperature is too low
- Active sites in the sample path
- Injection is too large
- Injection port pressure too high
- Insufficient column flow

### Chromatographic symptoms



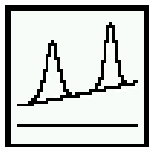
#### Peaks have flat tops

- Insufficient solvent delay
- Incorrect scale on the display
- Injection is too large
- Electron multiplier voltage is too high



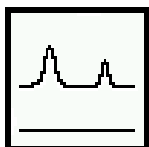
#### Peaks have split tops

- Bad injection technique
- Injection is too large



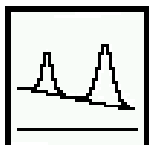
#### Baseline is rising

- Column bleed
- Other contamination



#### Baseline is high

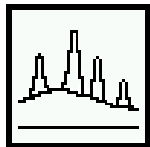
- Column bleed
- Other contamination
- Electron multiplier voltage is too high



#### Baseline is falling

A falling baseline indicates contamination is being swept away. Wait until the baseline reaches an acceptable level. Common causes include:

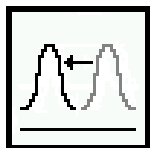
- Residual water air and water from a recent venting
- Column bleed
- Septum bleed
- Splitless injection time too long (inlet is not properly swept, resulting in excess solvent on the column and slow solvent decay)



### **Baseline wanders**

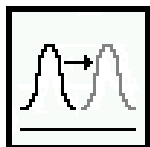
- Insufficient carrier gas supply pressure\*
- Malfunctioning flow or pressure regulator\*
- Intermittent leak in the injection port\*

\* These could cause a fault condition in the GC that would prevent the GC from operating.



### **Retention times for all peaks drift – shorter**

- Column has been shortened
- Initial oven temperature was increased
- Column is getting old



### **Retention times for all peaks drift – longer**

- Column flow has been reduced
- Initial oven temperature was decreased
- Active sites in the sample path
- Leaks in the injection port\*

\* This could cause a fault condition in the GC that would prevent the GC from operating.

### Chromatographic symptoms

#### Poor sensitivity

- Incorrect tuning
- Tune file that does not match the type of analysis
- Repeller voltage is too low
- Incorrect temperatures (oven, GC/MSD interface, ion source, or mass filter)
- Incorrect sample concentration
- Leaking injection port\*
- Dirty injection port
- Incorrect split ratio
- Purge off time in splitless mode is too short
- Excessive pressure in the MSD
- Dirty ion source
- Air leak
- Poor filament operation
- Detector (HED electron multiplier) is not working correctly
- Incorrect mass filter polarity

\* This could cause a fault condition in the GC that would prevent the GC from operating.

#### Poor Repeatability

- Dirty syringe needle
- Dirty injection port
- Leaking injection port\*
- Injection is too large
- Loose column connections
- Variations in pressure, column flow, and temperature
- Dirty ion source
- Loose connections in the analyzer
- Ground loops

\* This could cause a fault condition in the GC that would prevent the GC from operating.

## Mass spectral symptoms

This section describes symptoms you might observe in mass spectra. Some of these symptoms will appear in the mass spectra of samples. Others you will observe only in a tune report. Some of these symptoms have causes that can be corrected by the operator. Others, however, require service by an Agilent Technologies service representative.

Two symptoms listed under Chromatographic symptoms: *If sensitivity is poor* and *If repeatability is poor*, also apply to mass spectra.

### **No peaks**

- Ion source cables not connected
- Bad connections to or from the detector
- HED power supply output cable has failed (white cable)
- Other electronics failure

### **Isotopes are missing or isotope ratios are incorrect**

- Peaks are too wide or too narrow
- Scan speed is too high (scan mode)
- Dwell time is too short (SIM mode)
- Electron multiplier voltage is too high
- Repeller voltage is too high
- High background
- Dirty ion source

### **High background**

- Pressure in the analyzer chamber is too high
- Air leak
- Contamination

### Mass spectral symptoms

#### High abundances at $m/z$ 18, 28, 32, and 44 or at $m/z$ 14 and 16

- System was recently vented (residual air and water)
- Air leak

Large peaks at  $m/z$  14 and 16 are symptomatic of especially large leaks.

#### Mass assignments are incorrect

Small shape changes at the top of the mass peaks can cause 0.1 amu shifts in mass assignments. Shifts greater than 0.2 amu indicate a possible malfunction.

- MSD has not had enough time to reach thermal equilibrium
- Large variations in the temperature of the laboratory
- MSD has not been tuned recently, or at the temperature at which it is operating
- Incorrect tune file (inappropriate parameters)

#### Peaks have precursors

The tune report lists the size of the precursors for the tune masses. Small precursors are not unusual. If the precursors are unacceptably large for your application, one of the following may be responsible:

- Repeller voltage is too high
- Peaks are too wide
- Incorrect dc polarity on the quadrupole mass filter
- Dirty quadrupole mass filter

#### Peak widths are inconsistent

- MSD has not had enough time to reach thermal equilibrium
- Large variations in the temperature of the laboratory
- Incorrect tuning
- Calibration vial is empty or almost empty
- Calibration valve is not working correctly
- Dirty ion source
- Electron multiplier is nearing the end of its useful lifetime
- Ground loop problems



### Relative abundance of $m/z$ 502 is less than 3%

Autotune should give an  $m/z$  502 relative abundance greater than 3%. The relative abundance of  $m/z$  502 can, however, vary a great deal depending on column flow, ion source temperature, and other variables. As long as relative abundance is above 3%, the stability of the relative abundance is more important than the absolute value. If you observe significant changes in the relative abundance of  $m/z$  502 for a fixed set of operating parameters, there may be a problem. The charts in the MSD ChemStation software are useful for identifying changes. Select **View Tunes** from the Qualify menu in the Instrument Control view.

Low **relative** abundance of  $m/z$  502 should not be confused with low **absolute** abundances at high masses. Sensitivity at high masses can be excellent even if the relative abundance of  $m/z$  502 is near 3%. If your MSD produces low absolute abundances at high masses, refer to the symptom *High mass sensitivity is poor*.

Tune programs other than autotune have different relative abundance targets. The DF1TPP and BFB target tune programs tune the 5973N MSD to achieve about a 0.8% ratio of  $m/z$  502/69.

- Tune program/tune file has a different relative abundance target (3% only applies to Autotune)
- Not enough time for the MSD to warm up and pump down
- Analyzer chamber pressure is too high
- Ion source temperature is too high
- Column (carrier gas) flow is too high
- Poor filament operation
- Dirty ion source
- Air leak
- Incorrect dc polarity on the quadrupole mass filter

### Spectra look different from those acquired with other MSDs

Ion ratios are different from those in older MSDs. This is due to the HED detector, and is normal. To get spectra similar to older MSDs, use **Standard Spectra Tune**, available in the Manual Tune view. Note that this tune takes much longer to complete than **Autotune**.

### Mass spectral symptoms

#### High mass sensitivity is poor

This refers to a condition where the **absolute** abundance at the upper end of the mass range is poor. Absolute abundance should not be confused with the **relative** abundance (percentage) of  $m/z$  502 to  $m/z$  69. Sensitivity at high masses can be excellent even if the relative abundance of  $m/z$  502 is low.

- Wrong tune program
- Wrong tune file
- Repeller voltage is too low
- Not enough time for the MSD to warm up and pump down
- Analyzer chamber pressure is too high
- Column (carrier gas) flow is too high
- Poor filament operation
- Dirty ion source
- Air leak
- Incorrect dc polarity on the quadrupole mass filter

---

## Pressure symptoms

This section describes unusual pressure readings and their possible causes. The symptoms in this section are based on typical pressures. At typical column flow rates (0.1 - 2.0 ml/minute), the foreline pressure will be approximately 20 to 100 mTorr. The analyzer chamber pressure will be approximately  $1 \times 10^{-6}$  to  $1.4 \times 10^{-4}$  Torr. These pressures can vary widely from instrument to instrument so it is very important that you are familiar with the pressures that are typical for your instrument at given carrier gas flows.

The foreline pressures listed can only be measured on diffusion pump-equipped systems. Turbomolecular pumps are controlled according to their speed and do not have foreline pressure gauges. The analyzer chamber pressures can only be measured if your system is equipped with the optional gauge controller.

### Foreline pressure is too high

If the pressure you observe is above 100 mTorr, or if the pressure you observe for a given column flow has increased over time, check the following:

- Column (carrier gas) flow is too high
- Air leak (usually the sideplate is not pushed in or vent valve is open)
- Foreline pump oil level is low or oil is contaminated
- Foreline hose is constricted
- Foreline gauge is not working correctly
- Foreline pump is not working correctly

### Analyzer chamber pressure is too high (EI operating mode)

If the pressure you observe is above  $1.0 \times 10^{-4}$  Torr, or if the pressure you observe for a given column flow has increased over time, check the following:

- Column (carrier gas) flow is too high
- Air leak
- Foreline pump is not working correctly (see *Foreline pressure is too high*)
- Diffusion pump fluid level is low or fluid is contaminated
- Turbomolecular pump is not working correctly

### Pressure symptoms

#### Foreline pressure is too low

If the pressures you observe are below 20 mTorr, check for the following:

- Column (carrier gas) flow is too low
- Column plugged or crushed by an overtightened nut
- Empty or insufficient carrier gas supply\*
- Bent or pinched carrier gas tubing\*
- Foreline gauge is not working correctly

\* These could create a fault condition in the GC that would prevent the GC from operating.

#### Analyzer chamber pressure is too low

If the pressures you observe are below  $1 \times 10^{-6}$  Torr, check for the following:

- Column (carrier gas) flow is too low
- Column plugged or crushed by overtightened nut
- Empty or insufficient carrier gas supply\*
- Bent or pinched carrier gas tubing\*

\* These could create a fault condition in the GC that would prevent the GC from operating.

#### Gauge controller displays 9.9+9 and then goes blank

This indicates the pressure in the analyzer chamber is above  $8 \times 10^{-3}$  Torr.

- Solvent peak from an on-column injection
- MSD has not had enough time to pump down
- Excessive foreline pressure
- Bad connection or bad cable between the triode gauge and gauge controller
- Diffusion pump fluid level is low or fluid is contaminated
- Triode gauge tube has failed
- Line voltage too low
- Turbomolecular pump is not working correctly

**Power indicator on the gauge controller does not light**

- Unplugged gauge controller power cord
- Incorrect or inadequate line voltage at the electrical outlet
- Failed gauge controller fuse

### Temperature symptoms

---

## Temperature symptoms

The MSD has three heated zones:

- Ion source (**Source** in the MSD ChemStation software)
- Mass filter (**Quad** in the MSD ChemStation software)
- GC/MSD interface (**Thermal Aux #2** in the MSD ChemStation software)

Each of these heated zones has a heater cartridge and temperature sensor. The ion source and mass filter are powered and controlled by the MSD. The GC/MSD interface is powered and controlled by the GC.

### Ion source will not heat up

- High vacuum pump is off or has not reached normal operating conditions\*
- Incorrect temperature setpoint
- Ion source has not had enough time to reach temperature setpoint
- Ion source heater cartridge is not connected\*
- Ion source temperature sensor is not connected\*
- Ion source heater failed (burned out or shorted to ground)\*
- Ion source temperature sensor failed\*
- Source power cable is not connected to the side board\*
- MSD electronics are not working correctly

\* These will cause an

**Mass filter (quad) heater will not heat up**

- High vacuum pump is off or has not reached normal operating conditions\*
- Incorrect temperature setpoint
- Mass filter has not had enough time to reach temperature setpoint
- Mass filter heater cartridge is not connected\*
- Mass filter temperature sensor is not connected\*
- Mass filter heater failed (burned out or shorted to ground)\*
- Mass filter temperature sensor failed\*
- Source power cable is not connected to the sideboard\*
- MSD electronics are not working correctly

\* These will cause an error message.

**GC/MSD interface will not heat up**

- Incorrect setpoint
- Setpoint entered in wrong heated zone
- GC/MSD interface has not had enough time to reach temperature setpoint
- GC is off
- GC experienced a fault and needs to be reset\*
- GC/MSD interface heater/sensor cable is not connected\*
- GC/MSD heater failed (burned out)\*
- GC/MSD sensor failed\*
- GC electronics are not working correctly\*

\* These will cause a GC error message. GC error messages are described in the documentation supplied with your GC.

## Error messages

Sometimes, a problem in your MSD will cause an error message to appear in the MSD ChemStation software. Some error messages appear only during tuning. Other messages will appear during tuning or data acquisition. Sometimes, instead of a message, only a number will appear. This number will represent one or more error messages. To translate a number into an error message:

- 1 Note the number.
- 2 Select **Diagnostics/Vacuum Control** from the View menu.
- 3 Select **MS Error Codes** from the Status menu.
- 4 Type in the error number and press **Enter**.

The corresponding error message(s) will appear.

Some error messages are “latched”. These messages remain active in your data system even if the condition that caused the message has corrected itself. If the cause is removed, these messages can be removed by checking instrument status through the data system.

### Difficulty in mass filter electronics

- Pressure in the analyzer chamber is too high
- RFPA is not adjusted correctly
- Mass filter (quad) contacts are shorted or otherwise not working correctly
- Mass filter is not working correctly
- MSD electronics are not working correctly

### Difficulty with the electron multiplier supply

- Large peak such as the solvent peak eluted while the analyzer was on
- Pressure in the analyzer chamber is too high
- MSD electronics are not working correctly



### Difficulty with the fan

If a cooling fan fault occurs, the vacuum control electronics automatically shut off the high vacuum pump and the ion source and mass filter heaters. Therefore, the message: *The system is in vent state* may also appear. It is important to note that even though the high vacuum pump is off, the analyzer chamber may not actually be vented. See *The system is in vent state* in this section for precautions to take.

- One of the fans is disconnected
- One of the fans has failed
- MSD electronics are not working correctly

### Difficulty with the HED supply

The only time this error occurs is if the output of the supply cannot get to its destination (the HED):

- Large peak such as the solvent peak eluted while the analyzer was on
- Pressure in the analyzer chamber is too high
- Detector is not working correctly
- MSD electronics are not working correctly

### Difficulty with the high vacuum pump

In an MSD equipped with a diffusion pump, this indicates the diffusion pump became too hot. In an MSD equipped with a turbomolecular pump, this indicates the pump failed to reach 50% of full speed within 7 minutes or experienced a fault.

You must switch the MSD off and back on to remove this error message. Be sure the diffusion pump has cooled or the turbo pump has slowed down before switching off the MSD. The message will reappear if the underlying problem has not been corrected.

#### *Diffusion pump*

- Air intakes to the cooling fan are blocked
- Laboratory temperature is too high (generally above 35°C)
- High vacuum signal cable is disconnected or not working correctly
- Diffusion pump temperature sensor is not working correctly
- MSD electronics are not working correctly

### **Error messages**

#### ***Turbomolecular pump***

- Large vacuum leak is preventing the turbo pump from reaching 50% of full speed
- Foreline pump is not working correctly
- Turbo pump is not working correctly
- Turbo pump controller is not working correctly
- MSD electronics are not working correctly

#### **Foreline pressure has exceeded 300 mTorr**

Only diffusion pump-equipped MSDs have a foreline pressure gauge.

- Excessive carrier gas flow (typically > 5 ml/min)
- Excessive solvent volume injected
- Large vacuum leak
- Severely degraded foreline pump oil
- Collapsed or kinked foreline hose
- Foreline pump is not working correctly
- Foreline gauge is not working correctly

#### **Internal MS communication fault**

- MSD electronics are not working correctly

#### **Lens supply fault**

- Electrical short in the analyzer
- MSD electronics are not working correctly

#### **Log amplifier ADC error**

- MSD electronics are not working correctly

#### **No peaks found**

- Emission current was set to 0
- Electron multiplier voltage is too low
- Amu gain or offset is too high
- Poor mass axis calibration

- Amu gain or offset is too high
- Calibration vial is empty or almost empty
- Excessive pressure in the analyzer chamber
- Air leak
- Electron multiplier voltage is too low
- Signal cable is not connected
- Electrical leads to the detector are not connected correctly
- HED power supply output cable failed
- Electrical leads to the ion source are not connected correctly
- Filament shorted to the source body

### Temperature control disabled

- One of the heater fuses has failed
- MSD electronics are not working correctly

### Temperature control fault

This indicates that something has gone wrong with the temperature control of either the ion source or mass filter (quad) heater. The cause can be further isolated by selecting **Status/MS Temp Ctlr Status** in the Diagnostics/Vacuum Control view. One of the following should be displayed as the cause:

- Source temperature sensor is open
- Source temperature sensor is shorted
- Mass filter (quad) temperature sensor is open
- Mass filter (quad) temperature sensor is shorted
- No heater voltage (heater fuse has probably failed)
- Heater voltage is too low
- Temperature zone has timed out (heater failed, bad heater wiring, or loose temperature sensor)
- Problem with the temperature control electronics

### Error messages

#### **The high vacuum pump is not ready**

- Diffusion pump is on but has not had enough time (10 - 15 minutes) to reach its normal operating temperature
- Turbomolecular pump is on but has not had enough time (5 minutes) to reach 80% of its normal operating speed
- Level of fluid in the diffusion pump is too high
- Diffusion pump stack is not aligned correctly
- Turbomolecular pump is not working correctly
- MSD electronics are not working correctly

#### **The system is in standby**

This message is triggered by a shutdown signal on the remote start cable. It is usually caused by a GC fault, an ALS fault, or a bad cable connection. Once the cause of the fault is corrected, selecting **MS ON** or checking MSD status should remove the message.

### **The system is in vent state**

Although the message says the system is in vent state, if the fault has just occurred the MSD may actually still be under vacuum and the diffusion pump may still be hot or the turbo pump may still be at high speed. Wait at least 30 minutes after seeing this message before you actually vent the MSD.

---

**CAUTION**

---

Venting the MSD too soon after this message appears can result in the backstreaming of a diffusion pump or damage to a turbomolecular pump.

- System was vented on purpose (no problem)
- Fan fault has turned off the high vacuum pump (power cycle the MSD to clear the fault)
- Fuse for the high vacuum pump has failed
- Diffusion pump heater cartridge has failed
- MSD electronics are not working correctly

### **There is no emission current**

- Filament is not connected properly. Try the other filament
- Filament has failed. Try the other filament
- MSD electronics are not working correctly

### **There is not enough signal to begin tune**

- Corrupted tune file
- Poor mass axis calibration
- Amu gain or offset is too high
- Calibration vial is empty or almost empty
- Excessive pressure in the analyzer chamber
- Air leak
- Electron multiplier voltage is too low
- Signal cable is not connected
- Electrical leads to the detector are not connected correctly
- Electrical leads to the ion source are not connected correctly
- Filament shorted to the source body

### Air leaks

---

## Air leaks

Air leaks are a problem for any instrument that requires a vacuum to operate. Leaks are generally caused by vacuum seals that are damaged or not fastened correctly. Symptoms of leaks include:

- Higher than normal analyzer chamber pressure or foreline pressure
- Higher than normal background
- Peaks characteristic of air ( $m/z$  18, 28, 32, and 44 or  $m/z$  14 and 16)
- Poor sensitivity
- Low relative abundance of  $m/z$  502 (this varies with the tune program used)

Leaks can occur in either the GC or the MSD. The most likely point for an air leak is a seal you recently opened.

In the GC, most leaks occur in:

- Injection port septum
- Injection port column nut
- Broken or cracked capillary column

Leaks can occur in many more places in the MSD:

- GC/MSD interface column nut
- Side plate O-ring (all the way around)
- Vent valve O-ring
- Triode gauge tube (cracked at connector)
- Calibration valve
- GC/MSD interface O-ring (where the interface attaches to the analyzer chamber)
- Front and rear end plate O-rings
- Diffusion pump KF seal
- Diffusion pump baffle adapter O-ring
- Turbomolecular pump O-ring

## Contamination

Contamination is usually identified by excessive background in the mass spectra. It can come from the GC or from the MSD. The source of the contamination can sometimes be determined by identifying the contaminants. Some contaminants are much more likely to originate in the GC. Others are more likely to originate in the MSD.

Contamination originating in the GC typically comes from one of these sources:

- Column or septum bleed
- Dirty injection port
- Injection port liner
- Contaminated syringe
- Poor quality carrier gas
- Dirty carrier gas tubing
- Fingerprints (improper handling of clean parts)

Contamination originating in the MSD typically comes from one of the following sources:

- Air leak
- Cleaning solvents and materials
- Diffusion pump fluid
- Foreline pump oil
- Fingerprints (improper handling of clean parts)

The following table lists some of the more common contaminants, the ions characteristic of those contaminants, and the likely sources of those contaminants.

**Contamination****Table 3**

<b>Common contaminants</b>		
<b>Ions (<i>m/z</i>)</b>	<b>Compound</b>	<b>Possible source</b>
18, 28, 32, 44 or 14, 16	H <sub>2</sub> O, N <sub>2</sub> , O <sub>2</sub> , CO <sub>2</sub> or N, O	Residual air and water, air leaks, outgassing from Vespel ferrules
31, 51, 69, 100, 119, 131, 169, 181, 214, 219, 264, 376, 414, 426, 464, 502, 576, 614	PFTBA and related ions	PFTBA (tuning compound)
31	Methanol	Cleaning solvent
43, 58	Acetone	Cleaning solvent
78	Benzene	Cleaning solvent
91, 92	Toluene or xylene	Cleaning solvent
105, 106	Xylene	Cleaning solvent
151, 153	Trichloroethane	Cleaning solvent
69	Foreline pump oil or PFTBA	Foreline pump oil vapor or calibration valve leak
73, 147, 207, 221, 281, 295, 355, 429	Dimethylpolysiloxane	Septum bleed or methyl silicone column bleed
77, 94, 115, 141, 168, 170, 262, 354, 446	Diffusion pump fluid and related ions	Diffusion pump fluid
149	Plasticizer (phthalates)	Vacuum seals (O-rings) damaged by high temperatures, vinyl gloves
Peaks spaced 14 amu apart	Hydrocarbons	Fingerprints, foreline pump oil



Common CI-specific problems, 122

- Air leaks, 124
- Pressure-related symptoms (overview), 128
- Poor vacuum without reagent gas flow, 129
- High pressure with reagent gas flow, 130
- Pressure does not change when reagent flow is changed, 131
- Signal-related symptoms (overview), 132
- No peaks, 133
- No or low reagent gas signal, 135
- No or low PFDTD signal, but reagent ions are normal, 138
- Excessive noise or low signal-to-noise ratio, 140
- Large peak at  $m/z$  19, 141
- Peak at  $m/z$  32, 142
- Tuning-related symptoms (overview), 144
- Reagent gas ion ratio is difficult to adjust or unstable, 145
- High electron multiplier voltage, 147
- Can not complete autotune, 148
- Peak widths are unstable, 149

---

## CI Troubleshooting

---

# Troubleshooting

This chapter outlines the troubleshooting of 5973N MSDs equipped with PCI/NCI. Most of the troubleshooting information in the previous chapter also applies to CI MSDs.

## ***Common CI-specific problems***

Because of the added complexity of the parts required for CI, there are many potential problems added. By far the greatest number and most serious problems with CI are associated with leaks or contamination in the reagent gas introduction system. NCI is especially sensitive to the presence of air, and air leaks small enough to cause no problems in PCI can destroy NCI sensitivity.

As with EI, if the MSD tunes well, and no air leak is present, sample sensitivity problems should be addressed by GC injection port maintenance first.

- Wrong reagent gas
- Reagent gas not hooked up or hooked up to wrong reagent gas inlet port
- Wrong ions entered in tune file
- Wrong tune file selected
- Not enough bake-out time has elapsed since vent (background is too high)
- Wrong column positioning (extending > 2 mm past tip of interface.)
- Interface tip seal not installed
- EI source installed in CI mode
- EI filament or other EI source parts in CI ion source
- Air leaks in reagent gas flow path
- CI filament has stretched and sagged:
  - High EMV
  - Linear (no inflection point) electron energy (EleEnergy) ramp.

---

## Troubleshooting tips and tricks

The following are general rules for troubleshooting, with specific CI examples.

### ***Rule 1: “Look for what has been changed.”***

Many problems are introduced accidentally by human actions. Every time any system is disturbed, there is a chance of introducing a new problem.

- If the MSD was just pumped down after maintenance, suspect air leaks or incorrect assembly.
- If the reagent gas bottle or gas purifier were just changed, suspect leaks or contaminated or incorrect gas.
- If the GC column was just replaced, suspect air leaks or contaminated or bleeding column.
- If you have just switched ion polarity or reagent gas, suspect the tune file you have loaded in memory. Is it the appropriate file for your mode of operation?

### ***Rule 2: “If complex isn’t working, go back to simple.”***

A complex task is not only more difficult to perform, but also more difficult to troubleshoot as well. For example, CI requires more parts to work correctly than EI does.

- If you’re having trouble with NCI, verify that PCI still works.
- If you’re having trouble with other reagent gases, verify that methane still works.
- If you’re having trouble with CI, verify that EI still works.

### ***Rule 3: “Divide and conquer.”***

This technique is known as “half-split” troubleshooting. If you can isolate the problem to only part of the system, it is much easier to locate.

- To isolate an air leak, start by shutting the gas select valve while leaving the isolation valve and MFC open (turn on **Purge** and **Gas Off**.) If abundance of  $m/z$  32 decreases, the problem is “upstream” of the flow module.

**Air leaks**

## Air leaks

### How do I know if I have an air leak?

**Large** air leaks can be detected by vacuum symptoms: loud gurgling noise from the foreline pump, inability of the turbo pump to reach 95% speed, or, in the case of smaller leaks, high pressure readings on the high vacuum gauge controller.

Note that the mass flow controller is calibrated for methane, and the high vacuum gauge controller is calibrated for nitrogen, so these measurements are not accurate in absolute terms, but are intended as a guide to typical observed readings. They were taken with the following set of conditions:

Source temperature	250°C
Quad temperature	150°C
Interface temperature	320°C
Helium column flow	1ml/min

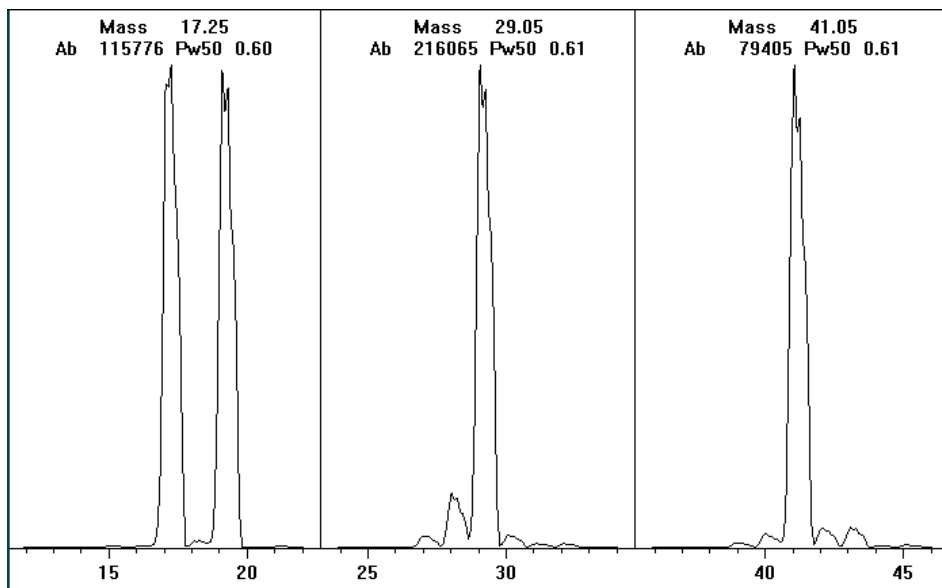
### MFC (%)    Pressure (Torr)

	Methane		Ammonia	
	Performance turbo pump	Standard turbo pump	Performance turbo pump	Standard turbo pump
10	$5.5 \times 10^{-5}$	$2.0 \times 10^{-4}$	$5.0 \times 10^{-5}$	$1.5 \times 10^{-4}$
15	$8.0 \times 10^{-5}$	$2.5 \times 10^{-4}$	$7.0 \times 10^{-5}$	$2.0 \times 10^{-4}$
20	$1.0 \times 10^{-4}$	$3.0 \times 10^{-4}$	$8.5 \times 10^{-5}$	$3.0 \times 10^{-4}$
25	$1.2 \times 10^{-4}$	Not recommended	$1.0 \times 10^{-4}$	Not recommended
30	$1.5 \times 10^{-4}$	Not recommended	$1.2 \times 10^{-4}$	Not recommended
35	$2.0 \times 10^{-4}$	Not recommended	$1.5 \times 10^{-4}$	Not recommended
40	$2.5 \times 10^{-4}$	Not recommended	$2.0 \times 10^{-4}$	Not recommended

Familiarize yourself with the measurements on **your** system under operating conditions, and watch for **changes** that may indicate a vacuum or gas flow problem.

**Always** look for small air leaks when setting up methane flow. Run the **methane** pretune (starting with a good PCI tune file). The abundance of  $m/z$  19 (protonated water) should be less 50% of  $m/z$  17 for acceptable PCI performance; for NCI, the abundance of  $m/z$  19 (protonated water) should be less than 25% that of  $m/z$  17. If the MSD was just pumped down, look for the abundance of  $m/z$  19 to be decreasing.

There should not be any peak visible at  $m/z$  32 ( $O_2$ ). This almost always indicates an air leak.



*Special negative CI notes*

Since NCI is so extremely sensitive, air leaks that are not detectable in EI or PCI can cause sensitivity problems in NCI. To check for this kind of air leak in NCI, inject OFN. The base peak should be at  $m/z$  272. If the abundance of  $m/z$  238 is much greater than that of  $m/z$  272, you have an air leak.

## Air leaks

### How do I find the air leak?

**1 Look for the last seal that was disturbed.**

- If you just pumped down the MSD, press on the sideplate to check for proper seal. Poor alignment between the analyzer and the GC/MSD interface seal can prevent the sideplate from sealing.
- If you just replaced the reagent gas bottle or gas purifier, check the fittings you just opened and refastened.

**2 Check for tightness of seals at injection port and interface column nuts.**

Ferrules for capillary columns often loosen after several heat cycles. Do not over-tighten the interface nut.

**3 If any of the VCR fittings in the flow module have been loosened and then retightened, the gasket must be replaced. These gaskets are good for one use only.**

---

**CAUTION**

---

Do not loosen the nuts on any VCR fittings unless you intend to replace the gaskets. Otherwise, you *will* create an air leak.

**4 Remember that most small air leaks visible in CI mode are located in either the carrier gas or reagent gas flow paths.**

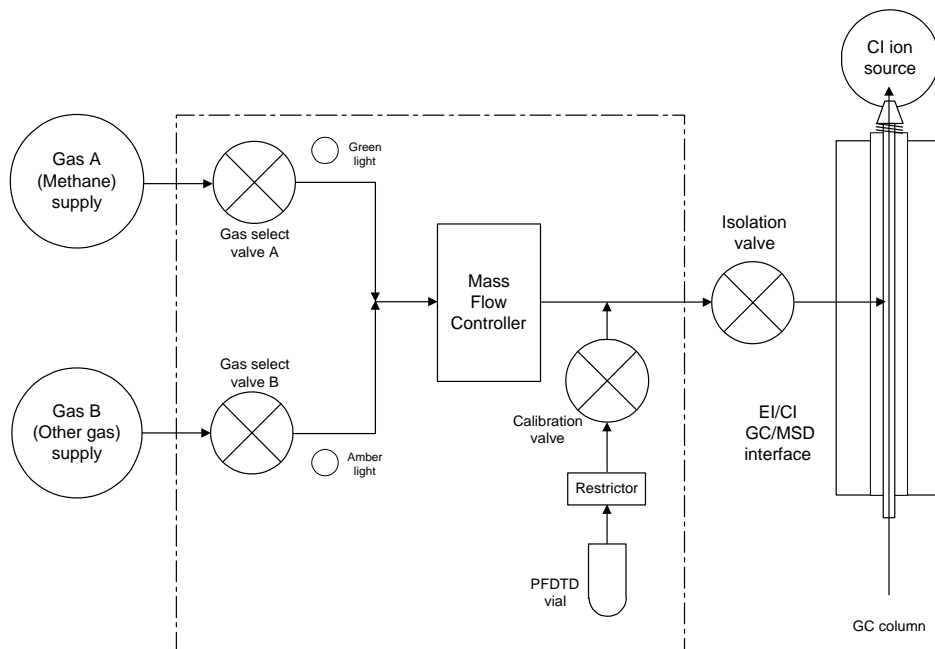
Leaks into the analyzer chamber are not likely to be seen in CI because of the higher pressure inside the ionization chamber.

**5 Half-split the system.**

- By closing valves starting at the gas select valves (**Gas Off** and **Purge** turned on), then moving farther “downstream” to the isolation valve (**Gas Off** turned on and **Purge** turned off.)
- You can cool and vent the MSD, remove the GC column, and cap off the interface.

If you are used to using argon or other introduced gas to find air leaks, note that this does not work well for the reagent gas flow system — it takes as long as 15 minutes for the peak to reach the ion source if the leak is at the inlet to the flow module.

Schematic of CI flow control module

**Flow module state diagram:**

Result	Gas A flows	Gas B flows	Purge with Gas A	Purge with Gas B	Pump out flow module	Standby, vented, or EI mode
Control panel lights (LEDs)						
Gas A (green)	On	Off	On	Off	Off	Off
Gas B (amber)	Off	On	Off	On	Off	Off
Purge (red)	Off	Off	On	On	On	Off
Gas Off (red)	Off	Off	Off	Off	On	On
Valve state						
Valve A	Open	Closed	Open	Closed	Closed	Closed
Valve B	Closed	Open	Closed	Open	Closed	Closed
MFC	On → setpoint	On → setpoint	On → 100%	On → 100%	On → 100%	Off (→0%)
Isolation valve	Open	Open	Open	Open	Open	Closed

**Pressure-related symptoms (overview)****Pressure-related symptoms (overview)**

The following symptoms are all related to high vacuum pressure. Each symptom is discussed in more detail in the following pages.

The mass flow controller is calibrated for methane, and the high vacuum gauge controller is calibrated for nitrogen, so these measurements are not accurate in absolute terms. They are intended as a guide to typical observed readings. They were taken with the following set of conditions:

Source temperature	250°C
Quad temperature	150°C
Interface temperature	320°C
Helium carrier gas flow	1ml/min.

<b>MFC (%)</b>	<b>Pressure (Torr)</b>			
	<b>Methane</b>		<b>Ammonia</b>	
	Performance turbo pump	Standard turbo pump	Performance turbo pump	Standard turbo pump
10	$5.5 \times 10^{-5}$	$2.0 \times 10^{-4}$	$5.0 \times 10^{-5}$	$1.5 \times 10^{-4}$
15	$8.0 \times 10^{-5}$	$2.5 \times 10^{-4}$	$7.0 \times 10^{-5}$	$2.0 \times 10^{-4}$
20	$1.0 \times 10^{-4}$	$3.0 \times 10^{-4}$	$8.5 \times 10^{-5}$	$3.0 \times 10^{-4}$
25	$1.2 \times 10^{-4}$	$4.0 \times 10^{-4}$	$1.0 \times 10^{-4}$	$3.5 \times 10^{-4}$
30	$1.5 \times 10^{-4}$	$5.0 \times 10^{-4}$	$1.2 \times 10^{-4}$	$4.0 \times 10^{-4}$
35	$2.0 \times 10^{-4}$	$5.5 \times 10^{-4}$	$1.5 \times 10^{-4}$	$4.5 \times 10^{-4}$
40	$2.5 \times 10^{-4}$	$6.5 \times 10^{-4}$	$2.0 \times 10^{-4}$	$5.5 \times 10^{-4}$



---

## Poor vacuum without reagent gas flow

**Possible Cause** Excess water in the background.

**Action** Scan from 10 – 40 amu. A large peak at  $m/z$  19 ( $> m/z$  17) indicates water in the background. If water is present, allow the instrument to bake out more and flow reagent gas through the lines to purge any accumulated water.

**Possible Cause** Air leak.

**Action** Run Methane Pretune. See page 76. A visible peak at  $m/z$  32 indicates air in the system. Check for and correct any leaks. See the *Leaks* section at the beginning of this chapter.

**Possible Cause** The foreline pump is not working properly.

**Action** Replace the pump oil. If that does not help, it may be necessary to replace the pump. Contact your local Agilent Technologies Customer Engineer.

**Possible Cause** The turbo pump is not working properly.

**Action** Check the pump speed. It should be at least 95%. Contact your local Agilent Technologies service representative

---

### CAUTION

Use of ammonia as reagent gas can shorten the life of the foreline pump oil and possibly of the foreline pump itself. See the Maintenance chapter in this manual.

---

**High pressure with reagent gas flow**

---

**High pressure with reagent gas flow**

<b>Possible Cause</b>	The reagent gas flow rate is too high.
<b>Action</b>	On the flow controller, turn down reagent gas flow as appropriate. Verify that reagent ion ratios are correct. See page 76.
<b>Possible Cause</b>	Air leak.
<b>Action</b>	Run Methane Pretune. See page 76. Visible peak at $m/z$ 32 indicates air in the system. Check for and correct any leaks. See the <i>Leaks</i> section at the beginning of this chapter.
<b>Possible Cause</b>	Interface tip seal wasn't installed.
<b>Action</b>	Check the source storage box. If the seal is not in the box, vent the MSD and verify that the seal is correctly installed.

## Pressure does not change when reagent flow is changed

<b>Possible Cause</b>	The reagent gas regulator is closed.
<b>Action</b>	Check and, if necessary, open the reagent gas regulator.
<b>Possible Cause</b>	The reagent gas regulator is set to the wrong pressure.
<b>Action</b>	Set the reagent gas regulator to 10 psi (70 kPa) for methane or to 3 – 10 psi (20 – 70 kPa) for isobutane or ammonia.
<b>Possible Cause</b>	The valve on the reagent gas bottle is closed.
<b>Action</b>	Check and, if necessary, open the valve on the reagent gas bottle.
<b>Possible Cause</b>	The reagent gas supply is empty.
<b>Action</b>	Check, and if necessary, replace the reagent gas supply.
<b>Possible Cause</b>	Reagent lines kinked, bent, pinched, or disconnected.
<b>Action</b>	Inspect the reagent lines and repair any defects. Check especially to make sure the reagent line is connected to the rear of the flow module. Be sure the methane line is connected to the Gas A inlet.
<b>Possible Cause</b>	GC/MSD interface clogged or damaged.
<b>Action</b>	Check for flow and repair or replace components as indicated.

## Signal-related symptoms (overview)

This section describes symptoms related to the signal. The symptom may be too much signal, too little signal, a noisy signal, or an incorrect signal. Signal-related symptoms are generally observed during tuning but may also be observed during data acquisition.

Error messages in autotune due to insufficient signal may vary.

The following symptoms are covered in more detail in this section:

- No peaks
- No or low reagent gas signal. See page 135.
- No or low PFDTD signal. See page 138.
- Excessive noise. See page 140.
- Low chromatographic signal abundance. See page 140.
- Low signal-to-noise ratio. See page 140.
- Large peak at  $m/z$  19. See page 141.
- Peak at  $m/z$  32. See page 142.

## No peaks

When troubleshooting “no peaks” it is important to specify what mode of operation is being used, and what kind of peaks are not being seen. Always start with methane PCI and verify presence of reagent ions.

### **No reagent gas peaks in PCI**

#### ***If MSD has been working well and nothing seems to have been changed***

- Wrong tune file loaded, or tune file corrupted
- Wrong ion polarity (there are no reagent ions visible in NCI)
- No reagent gas flow; look for background ions and check pressure
- Wrong reagent gas selected for the tune file (looking for wrong ions)
- Large air leak
- Dirty ion source
- Poor vacuum (pump problem). See page 128.

#### ***If MSD was recently switched from EI to CI***

- Interface tip seal not installed
- No reagent gas flow
- Analyzer not sealed (big air leak)
- Wrong tune file loaded or tune file corrupted
- Ion source not assembled or connected correctly
- Wrong reagent gas selected for the tune file (looking for wrong ions)

**No peaks**

**No PFDTD peaks in PCI**

- Incorrect reagent gas. There **are** no PCI PFDTD peaks created with isobutane or ammonia. Switch to methane.
- Analyzer not sealed (big air leak)
- No calibrant in vial
- Defective calibration valve
- Air leak in carrier or reagent gas path

**No reagent gas peaks in NCI**

- Reagent gases do not ionize in NCI; look for background ions instead.
- Verify tune parameters
- If no background ions are visible, go back to methane PCI

**No PFDTD calibrant peaks in NCI**

- Look for background ions: 17 (OH-), 35 (Cl-), and 235 (ReO3-).
- Verify tune parameters
- Go back to methane PCI

**No sample peaks in NCI**

- Look for background ions: 17 (OH-), 35 (Cl-), and 235 (ReO3-).
- Go back to methane PCI
- Poor quality reagent gas (purity less than 99.99%)

**Large peak at  $m/z$  238 in NCI OFN spectrum**

- Look for background ions: 17 (OH-), 35 (Cl-), and 235 (ReO3-).
- Find and fix your small air leak

## No or low reagent gas signal

**Possible Cause** If you have just installed the CI ion source, and have an air leak or large amounts of water in the system, and have run one or more autotunes, the ion source is probably dirty now.

**Action** Fix the air leak.  
Clean the ion source. Then bake out for two hours before tuning. See “To set up your MSD for CI operation” on page 247..

**Possible Cause** The wrong reagent gas is flowing.

**Action** Turn on the correct reagent gas for your tune file.

**Possible Cause** Ion polarity is set to **Negative**. No reagent gas ions are formed in NCI.

**Action** Switch to **Positive** ionization mode.

**Possible Cause** The reagent gas flow is set too low.

**Action** Increase the reagent gas flow.

**Possible Cause** Reagent gas supply tubing is blocked, kinked, pinched, or disconnected.

**Action** Inspect and, if necessary, repair or replace the reagent gas supply tubing.

**Possible Cause** Wrong filament wires are connected to filament.

**Action** Make sure that the filament 1 wires are connected to the CI ion source filament and that the filament 2 wires are connected to the dummy filament.

**No or low reagent gas signal**

<b>Possible Cause</b>	Carbon has built up on the filament, or filament has sagged out of alignment.
<b>Action</b>	Inspect the filament. If necessary, replace the filament.
<b>Possible Cause</b>	Too much air or water in the system.
<b>Action</b>	Run the methane pretune. Peaks at $m/z$ 32 and 19 usually indicate air and water, respectively. Bake out and purge the instrument until there is no visible peak at $m/z$ 32 and the peak at $m/z$ 19 is reduced to a very low level. If the peak at $m/z$ 32 does not decrease, an air leak is likely. See the <i>Leaks</i> section at the end of this chapter for more information.
<b>Possible Cause</b>	The signal cable is not connected.
<b>Action</b>	Check and, if necessary, reconnect the signal cable.
<b>Possible Cause</b>	The filament or filament support is shorted to the ion source body or repeller.
<b>Action</b>	Inspect the filament. If necessary, realign the filament support arms.
<b>Possible Cause</b>	The electron inlet hole is blocked.
<b>Action</b>	Inspect the electron inlet hole. If necessary, clean the hole with a clean toothpick and a slurry of aluminum oxide powder and methanol. If the electron inlet hole is that dirty, the entire ion source probably needs to be cleaned. See the <i>Maintenance</i> chapter in this manual for more information.
<b>Possible Cause</b>	Ion source wires are not connected, or incorrectly connected.
<b>Action</b>	Inspect the repeller. Make sure the repeller lead is firmly attached to the repeller. Inspect the wires to the ion focus and entrance lenses. If the connections are reversed, correct the problem.



**Possible Cause** One of the detector leads (in the analyzer chamber) is not connected.

**Action** Check and, if necessary, reconnect the electron multiplier leads.

**Possible Cause** Saturated methane / isobutane gas purifier.

**Action** Replace the gas purifier.

**Possible Cause** Poor quality methane (purity below 99.99%.)

**Action** Replace the methane with high-purity methane. If necessary, clean and purge the reagent gas lines and clean the ion source.

**No or low PFDTD signal, but reagent ions are normal**

---

**No or low PFDTD signal, but reagent ions are normal**

<b>Possible Cause</b>	You are flowing any reagent gas but methane in PCI.
<b>Action</b>	Switch to methane.
<b>Possible Cause</b>	Wrong or corrupted tune file loaded.
<b>Action</b>	Check your tune file.
<b>Possible Cause</b>	No PFDTD in the calibrant vial.
<b>Action</b>	Inspect the calibration vial on the back of the flow controller. If necessary, fill the vial with PFDTD. Do not fill the vial completely; keep the level at least 0.5 cm from the top of the vial.
<b>Possible Cause</b>	The pressure of the methane entering the flow controller is too high.
<b>Action</b>	Make sure the regulator on the methane supply is set to 10 psig (70 kPa).
<b>Possible Cause</b>	The CI ion source is dirty.
<b>Action</b>	Clean the ion source. See the <i>Maintenance</i> chapter in this manual for more information.
<b>Possible Cause</b>	The calibration valve was not purged after the vial was refilled.
<b>Action</b>	Purge the calibration valve as described in the <i>Maintenance</i> chapter. Then clean the ion source.

**No or low PFDTD signal, but reagent ions are normal**

<b>Possible Cause</b>	The calibrant vial was overfilled. Excess PFDTD can quench the chemical ionization reactions.
<b>Action</b>	Check the level of the PFDTD in the calibration vial as described in <i>Maintenance</i> chapter.
<b>Possible Cause</b>	Poor quality methane (purity below 99.99%.)
<b>Action</b>	Replace the methane with high-purity methane. If necessary, clean and purge the reagent gas lines and clean the ion source.

**Excessive noise or low signal-to-noise ratio**

---

**Excessive noise or low signal-to-noise ratio**

<b>Possible Cause</b>	The GC injection port needs maintenance.
<b>Action</b>	Refer to the 6890 Plus GC manual.
<b>Possible Cause</b>	The CI ion source is dirty.
<b>Action</b>	Clean the ion source. See the <i>Maintenance</i> chapter in this manual for more information.
<b>Possible Cause</b>	Poor vacuum
<b>Action</b>	Check the pressure on the high vacuum gauge controller.
<b>Possible Cause</b>	Air leak.
<b>Action</b>	Run Methane Pretune (in PCI). Large peak at $m/z$ 32 indicates air in the system. Check for and correct any leaks. See the <i>Leaks</i> section at the beginning of this chapter.
<b>Possible Cause</b>	Saturated methane / isobutane gas purifier.
<b>Action</b>	Replace the gas purifier.
<b>Possible Cause</b>	Poor quality methane (purity below 99.99%.)
<b>Action</b>	Replace the methane with high-purity methane. If necessary, clean and purge the reagent gas lines and clean the ion source.
<b>Possible Cause</b>	Reagent gas flows too high (in EI/PCI MSDs).
<b>Action</b>	Verify that the reagent gas setup is correct.

---

---

## Large peak at $m/z$ 19

If the abundance of the peak at  $m/z$  19 is more than half abundance of the peak at  $m/z$  17, then there is probably too much water in the system.

**Possible Cause** The system was not baked out sufficiently after it was last vented.

**Action** Bake out the system as described in the *Maintenance* chapter of this manual.

**Possible Cause** Moisture left over in the reagent gas supply tubing and flow module.

**Action** Purge the reagent gas supply lines for at least 60 minutes. See the *Maintenance* chapter.

**Possible Cause** Contaminated reagent gas supply.

**Action** Replace the reagent gas supply and purge the lines and flow module.

**Possible Cause** Saturated methane / isobutane gas purifier.

**Action** Replace the gas purifier.

**Peak at  $m/z$  32**

---

**Peak at  $m/z$  32**

A visible peak at  $m/z$  32 in methane pretune often indicates air in the system.

**Possible Cause** Residual air from recent venting — check for water indicated by a large peak at  $m/z$  19.

**Action** Bake out the system as described in the *Maintenance* chapter of this manual.

**Possible Cause** New or dirty reagent gas supply tubing.

**Action** Purge the reagent gas supply lines and flow module *for at least 60 minutes*. See “To set up your MSD for CI operation” on page 247..

**Possible Cause** Air leak.

**Action** Check for leaks and correct any that you find. See the *Leaks* section at the end of this chapter for more information. After all leaks have been corrected, clean the ion source.

**Possible Cause** Contaminated reagent gas supply. Suspect this if you have recently replaced your gas tank, and you have ruled out air leaks.

**Action** Replace the reagent gas supply.

**Possible Cause** The capillary column is broken or disconnected.

**Action** Inspect the capillary column. Make sure it is not broken and it is installed correctly.

**Possible Cause** Saturated methane / isobutane gas purifier.

**Action** Replace the gas purifier.

## Tuning-related symptoms (overview)

This section describes symptoms related to tuning. Most symptoms involve difficulties with tuning or with the results of tuning. The following symptoms are covered in this section:

- CI ion ratio is difficult to adjust or unstable
- High electron multiplier voltage
- Can not complete autotune
- Peak widths are unstable



---

## Reagent gas ion ratio is difficult to adjust or unstable

- Possible Cause** The interface tip seal is incorrectly placed, damaged, or missing.
- Action** Inspect the interface tip seal. If necessary, remove and reinstall it to insure a good seal with the CI ion source. Replace it if it is damaged. Install it if it is missing.
- Possible Cause** Residual air and water in the MSD or in the reagent gas supply lines.
- Action** Run the methane pretune. Air will appear as a peak at  $m/z$  32 and excessive water as a peak at  $m/z$  19 >  $m/z$  17. If either of conditions is present, purge the reagent gas supply lines and bake out the MSD. See page 256. Continued presence of a large peak at  $m/z$  32 may indicate an air leak. After correcting the problems, you may need to clean the ion source.
- Possible Cause** Air leak.
- Action** Run Methane Pretune (in PCI). Large peak at  $m/z$  32 indicates air in the system. Check for and correct any leaks. See the *Leaks* section at the beginning of this chapter.
- Possible Cause** The reagent gas supply is at the wrong pressure.
- Action** Check the regulator on the reagent gas supply. It should be adjusted to 20 psi (140 kPa).
- Possible Cause** A leak in the reagent gas delivery path. This is especially likely if you have set the methane flow much higher than normal and the ratio is still too low.
- Action** Check the reagent gas path. Tighten fittings.
-

**Possible Cause**

The Cl ion source is dirty.

**Action**

Clean the ion source. See the *Maintenance* chapter of this manual for more information.

## High electron multiplier voltage

The electron multiplier voltage can range from a few hundred volts to 3000 V. If the CI autotune program consistently sets the electron multiplier voltage at or above 2600V, but can still find peaks and complete the tune, it may indicate a problem.

**Possible Cause** The filament is worn out. The CI filament may wear out without actually breaking. Check the Electron Energy ramp; the curve should have a definite maximum with an inflection point. If the curve is linear with a positive slope and no inflection point, and the EMV is high, the filament has stretched to the point where it does not line up with the hole in the ion source body, and most electrons are not getting into the source.

**Action** Replace the filament.

**Possible Cause** The analyzer is not at the proper operating temperature.

**Action** Verify the ion source and quadrupole temperatures. The default source temperature is 250°C for PCI and 150°C for NCI. The quadrupole temperature is 150°C for both CI modes.

**Possible Cause** The CI ion source is dirty.

**Action** Clean the ion source. See the *Maintenance* chapter in this manual for more information.

**Possible Cause** The electron multiplier (detector) is failing. Switch to EI mode and confirm.

**Action** Replace the electron multiplier.

**Can not complete autotune**

---

**Can not complete autotune**

<b>Possible Cause</b>	Wrong or corrupted tune file.
<b>Action</b>	Check the tune parameters.
<b>Possible Cause</b>	The $m/z$ 28/27 ion ratio (for methane) is incorrect. The correct ratio should be between 1.5 and 5.0.
<b>Action</b>	If the ion ratio is incorrect, adjust it. See page 88.
<b>Possible Cause</b>	The CI ion source is dirty.
<b>Action</b>	Clean the ion source. See the <i>Maintenance</i> chapter in this manual for more information.
<b>Possible Cause</b>	Too much air or water in the system.
<b>Action</b>	See the <i>Leaks</i> section of this chapter for more information. After eliminating these problems, clean the ion source.

## Peak widths are unstable

**Possible Cause** Wrong or corrupted tune file.

**Action** Check the tune parameters.

**Possible Cause** The CI ion source is dirty.

**Action** Clean the ion source. See the *Maintenance* chapter of this manual for more information.

**Possible Cause** Air leak.

**Action** Run Methane Pretune (in PCI). A visible peak at  $m/z$  32 indicates air in the system. Check for and correct any leaks. See the *Leaks* section at the beginning of this chapter. After eliminating all air leaks, clean the ion source.



Before starting, 152  
Maintaining the vacuum system, 159  
Maintaining the analyzer, 204  
Maintaining the GC/MSD interface, 232  
Maintaining the electronics, 238

---

## Maintaining the MSD

How to perform common maintenance procedures for the MSD. Many of these procedures are demonstrated on the MSD Maintenance CD-ROM.

---

## Before starting

You can perform much of the maintenance required by your MSD. For your safety, read all of the information in this introduction before performing any maintenance tasks.

### ***Some parts of the MSD require regularly scheduled maintenance***

Common maintenance tasks are listed in Table 4. Performing these tasks when scheduled can reduce operating problems, prolong system life, and reduce overall operating costs.

Keep a record of system performance (tune reports) and maintenance operations performed. This makes it easier to identify variations from normal operation and to take corrective action.

**Table 4**

---

**Maintenance schedule**

---

<b>Task</b>	<b>Every week</b>	<b>Every 6 months</b>	<b>Every year</b>	<b>As needed</b>
Tune the MSD				✓
Check the foreline pump oil level	✓			
Check the calibration vial(s)		✓		
Replace the foreline pump oil <sup>1</sup>		✓		
Replace the diffusion pump fluid			✓	
Clean the ion source				✓
Check the carrier gas trap(s) on the GC				✓
Replace the worn out parts				✓
Lubricate sideplate or vent valve O-rings <sup>2</sup>				✓

1 Every 3 months for CI MSDs using ammonia reagent gas.

2 Vacuum seals other than the side plate O-ring and vent valve O-ring do not need to be lubricated. Lubricating other seals can interfere with their correct function.



***Maintenance requires the proper tools, spare parts, and supplies***

Some of the required tools, spare parts, and supplies are included in the MSD shipping kit or MSD tool kit. You must supply others yourself. Each maintenance procedure includes a list of the materials required for that procedure. Tables 5 and 6 summarize these.

**Table 5**

<b>Tools</b>	
<b>Description</b>	<b>Part number</b>
Ball driver	
1.5-mm	8710-1570
2.0-mm	8710-1804
2.5-mm	8710-1681
Funnel	-----
Hex nut driver, 5.5-mm	8710-1220
Pliers, long-nose (1.5-inch nose)	8710-1094
Screwdriver	
flat-blade, large	8730-0002
Torx, T-10	8710-1623
Torx, T-15	8710-1622
Torx, T-20	8710-1615
Tweezers, non-magnetic	8710-0907
Wrench, open-end	
1/4-inch × 5/16-inch	8710-0510
10-mm	8710-2353
Wrist strap, anti-static	
small	9300-0969
medium	9300-1257
large	9300-0970

Table 6

---

**Spare parts and supplies**


---

<b>Description</b>	<b>Part number</b>
Abrasive paper	5061-5896
Alumina abrasive powder	8660-0791
Aluminum foil, clean	—————
Beakers, glass, 50 ml and 500 ml	—————
Cloths, clean, lint-free (quantity 20)	05980-60051
Container, for catching old foreline pump oil, ≈ 500 ml	—————
Cotton swabs (quantity 100)	5080-5400
Diffusion pump fluid	6040-0809
Electron multiplier horn	05971-80103
Filament assembly	05972-80053
Foreline exhaust oil trap	G1099-80037
Foreline pump oil, 1 liter	6040-0834
Gloves	
chemical-resistant (resistant to oils and solvents)	—————
clean, lint-free (large)	8650-0030
clean, lint-free (small)	8650-0029
Grease, Apiezon L, high vacuum	6040-0289
Heater/sensor assemblies	
GC/MSD interface	G1099-60107
ion source	G1099-60177
mass filter	G1099-60172
Octafluoronaphthalene, 1 pg/ul	8500-5441
Perfluorotributylamine (PFTBA), certified (1 gram)	8500-0656
PFTBA sample kit	05971-60571
Solvents, reagent-grade — acetone, methanol, methylene chloride	—————
Triode gauge tube	0960-0897
Ultrasonic bath	—————

---

***Many parts of the MSD carry high voltages that are potentially dangerous***

Whenever the MSD is plugged in, even if the power switch is off, potentially dangerous voltage (120 V ac or 200/240 V ac) exists on:

- The wiring and fuses between where the power cord enters the instrument and the power switch

When the power switch is on, potentially dangerous voltages exist on:

- Electronic circuit boards
- Toroidal transformer
- Turbomolecular pump controller
- Wires and cables between these boards
- Wires and cables between these boards and the connectors on the back panel of the MSD
- Some connectors on the back panel (for example, the foreline power receptacle)

Normally, all of these parts are shielded by safety covers. As long as the safety covers are in place, it should be difficult to accidentally make contact with dangerous voltages.

---

**WARNING**

---

**Perform no maintenance with the MSD turned on or plugged into its power source unless you are instructed to by one of the procedures in this chapter.**

One or two procedures in this chapter require access to the inside of the MSD while the power switch is on. Do not remove any of the electronics safety covers in any of these procedures. To reduce the risk of electric shock, follow the procedures carefully.

If your instrument is equipped with the optional gauge controller, potentially dangerous voltage also exists where the cable from the gauge controller connects to the triode gauge tube. Turn off the gauge controller if you are going to be working near the triode gauge tube.

***Many parts are hot enough to be dangerous***

Many parts in the MSD operate at, or reach, temperatures high enough to cause serious burns. These parts include, but are not limited to:

- GC/MSD interface
- Analyzer parts
- Vacuum pumps

---

**WARNING**

---

**Never touch these parts while your MSD is on. After the MSD is turned off, give these parts enough time to cool before handling them.**

---

**WARNING**

---

**The GC/MSD interface heater is powered by the Thermal Aux #2 heated zone on the GC. The interface heater can be on, and at a dangerously high temperature, even though the MSD is off. The GC/MSD interface is well insulated. Even after it is turned off, it cools very slowly.**

The GC injection ports and GC oven also operate at very high temperatures. Use the same caution around these parts. See the documentation supplied with your GC for more information.

***Chemical residue is another potential danger***

Only a small portion of your sample is ionized by the ion source. The majority of any sample passes through the ion source without being ionized. It is pumped away by the vacuum system. As a result, the exhaust from the foreline pump will contain traces of the carrier gas and your samples. It will also contain tiny droplets of foreline pump oil.

An oil trap is supplied with the foreline pump. This trap stops **only** pump oil droplets. It **does not** trap any other chemicals. If you are using toxic solvents or analyzing toxic chemicals, do not use the oil trap. Instead, install a hose to take the exhaust from the foreline pump outdoors or into a fume hood vented to the outdoors. Be sure to comply with your local air quality regulations.

---

**WARNING**

---

**The oil trap stops only foreline pump oil. It does not trap or filter out toxic chemicals. If you are using toxic solvents or analyzing toxic chemicals, remove the oil trap. Do not use the trap if you have a CI MSD. Install a hose to take the foreline pump exhaust outside or to a fume hood.**

The fluids in the diffusion pump and foreline pump also collect traces of the samples being analyzed. All used pump fluid should be considered hazardous and handled accordingly. Dispose of used fluid correctly, as specified by your local regulations.

---

**WARNING**

---

**When replacing pump fluid, use appropriate chemical-resistant gloves and safety glasses. Avoid all contact with the fluid.**

***Electrostatic discharge is a threat to the MSD electronics during maintenance***

All of the printed circuit boards in the MSD contain components that can be damaged by electrostatic discharge (ESD). Do not handle or touch these boards unless absolutely necessary. In addition, wires, contacts, and cables can conduct ESD to the electronics boards to which they are connected. This is especially true of the mass filter (quadrupole) contact wires which can carry ESD to sensitive components on the side board. ESD damage may not cause immediate failure but it will gradually degrade the performance and stability of your MSD.

When you work on or near printed circuit boards, or when you work on components with wires, contacts, or cables connected to printed circuit boards, always use a grounded anti-static wrist strap and take other anti-static precautions. The wrist strap should be connected to a known good Earth ground. If that is not possible, it should be connected to a conductive (metal) part of the assembly being worked on, but **not** to electronic components, exposed wires or traces, or pins on connectors.

Take extra precautions, such as a grounded, anti-static mat, if you must work on components or assemblies that have been removed from the MSD. This includes the analyzer.

---

**CAUTION**

---

In order to be effective, an anti-static wrist strap must fit snugly (not tight). A loose strap provides little or no protection.

---

**CAUTION**

---

Anti-static precautions are not 100% effective. Handle electronic circuit boards as little as possible, and then only by the edges. Never touch components, exposed traces, or pins on connectors and cables.

## Maintaining the vacuum system

### ***The vacuum system requires some periodic maintenance***

As listed earlier in Table 4, some maintenance tasks for the vacuum system must be performed periodically. These include:

- Checking the foreline pump fluid (every week)
- Checking the calibration vial (every 6 months)
- Ballasting the foreline pump (daily in MSDs using ammonia reagent gas)
- Replacing the foreline pump oil (every 6 months; every 3 months for CI MSDs using ammonia reagent gas)
- Tightening the foreline pump oil box screws (first oil change after installation)
- Replacing the diffusion pump fluid (once a year)

Failure to perform these tasks as scheduled can result in decreased instrument performance. It can also result in damage to your instrument.

### ***Other procedures should be performed as needed***

Tasks such as replacing a foreline vacuum gauge or triode gauge tube should be performed only when needed. See Chapter 4, *Troubleshooting the MSD*, on page 107, and see the online help in the MSD ChemStation software for symptoms that indicate this type of maintenance is required.

### ***More information is available***

If you need more information about the locations or functions of vacuum system components, refer to Chapter 8, *Vacuum System*, on page 259.

Most of the procedures in this chapter are illustrated with video clips in the 5973N MSD Maintenance CD-ROM.

**To check and add foreline pump oil**

---

## To check and add foreline pump oil

*Materials needed:* Foreline pump oil (6040-0834)  
Funnel

**See also** A video demonstration of this procedure is on the 5973N MSD Maintenance CD-ROM.

A slow loss of oil is normal for the foreline pump. Therefore, it is especially important to check the oil level regularly.

**1 Examine the oil level window.**

The oil level should be above the lower line. The foreline pump oil should be almost clear. If the oil level is near or below the lower line, follow the steps 2 – 6 to add foreline pump oil.

---

**WARNING**

**Never add oil while the foreline pump is on.**

If your MSD is nearing its scheduled time for replacement of the foreline pump oil, replace the oil instead of adding oil. If the oil is dark or cloudy, replace it. See page 162 for instructions about replacing the foreline pump oil.

**2 Vent the MSD. See page 54.**

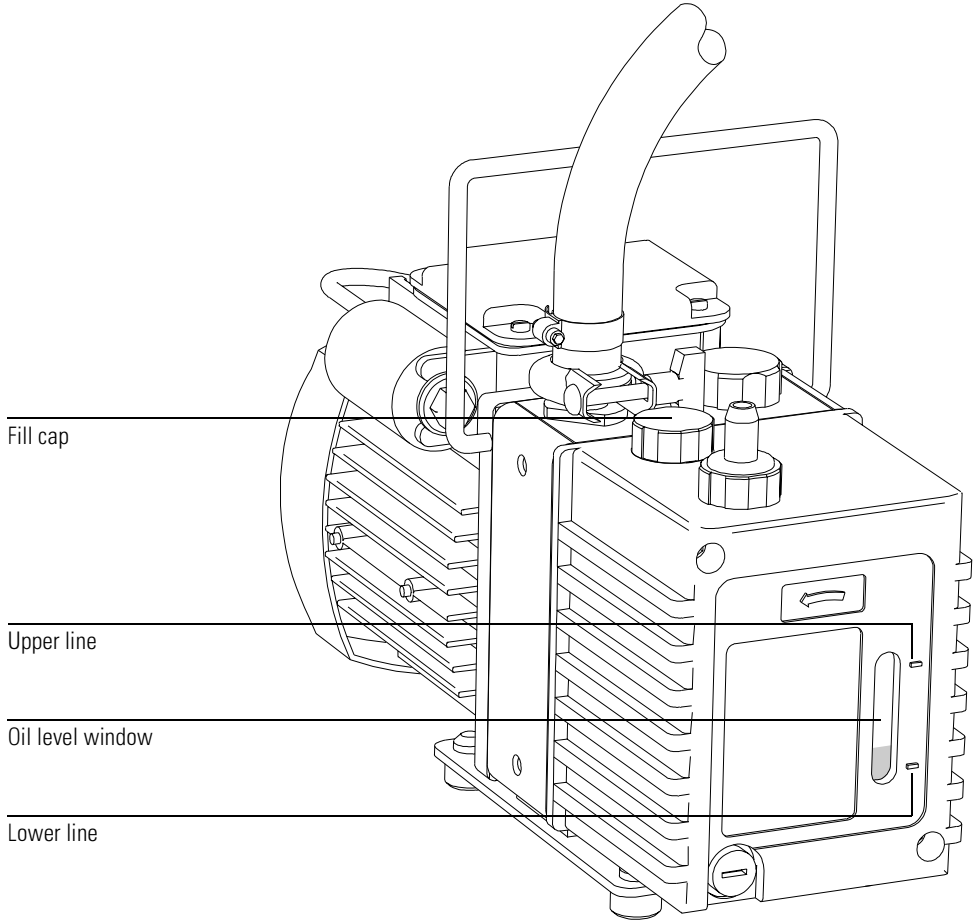
**3 Remove the fill cap.**

**4 Add pump fluid until the oil level in the window is near, but not above, the upper line.**

**5 Reinstall the fill cap.**

**6 Pump down the MSD. See page 60.**





**To drain the foreline pump**

---

## To drain the foreline pump

*Materials needed:* Book or other solid object approximately 5 cm thick  
Container for catching old pump oil, 500 ml  
Gloves, oil- and solvent-resistant  
Screwdriver, flat-blade, large (8730-0002)

**See also** A video demonstration of this procedure is on the 5973N MSD Maintenance CD-ROM.

- 1 Vent the MSD. See page 54.**
- 2 If necessary, slide the foreline pump out from under the analyzer chamber.**  
The foreline pump may be located on the floor, on the lab bench next to or behind the MSD, or under the analyzer chamber at the back of the MSD.

---

**WARNING** **The foreline pump may be hot.**

---

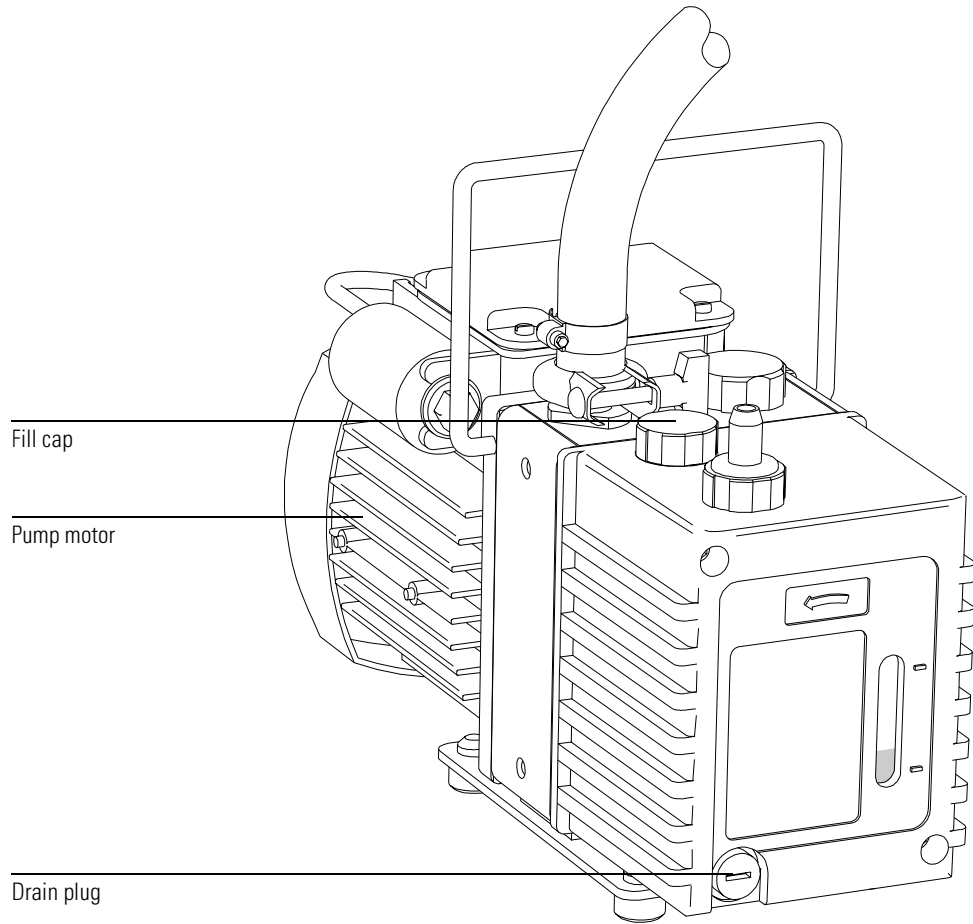
- 3 Place a book or other object under the pump motor to tilt it up slightly.**
- 4 Remove the fill cap.**
- 5 Place a container under the drain plug.**
- 6 Remove the drain plug.**  
Allow the pump oil to drain out. The oil drains faster if it is still warm.

---

**WARNING** **The old pump oil may contain toxic chemicals. Treat it as hazardous waste.**

---

- 7 Refill the foreline pump. See page 164.**



**To refill the foreline pump**

---

## To refill the foreline pump

*Materials needed:* Foreline pump oil (6040-0834) – approximately 0.28 liters required  
Funnel  
Gloves, oil- and solvent-resistant  
Screwdriver, flat-blade, large (8730-0002)  
Drain plug O-ring (if required) (0905-1515)

**See also** A video demonstration of this procedure is on the 5973N MSD Maintenance CD-ROM.

**1 Drain the foreline pump. See page 162.**

**2 Reinstall the drain plug.**

If the old O-ring appears worn or damaged, replace it.

**3 Remove the propping object from under the pump motor.**

**4 Add foreline pump oil until the oil level in the window is near, but not above, the upper line.**

The foreline pump requires approximately 0.28 liters of oil.

**5 Wait a few minutes for the oil to settle.**

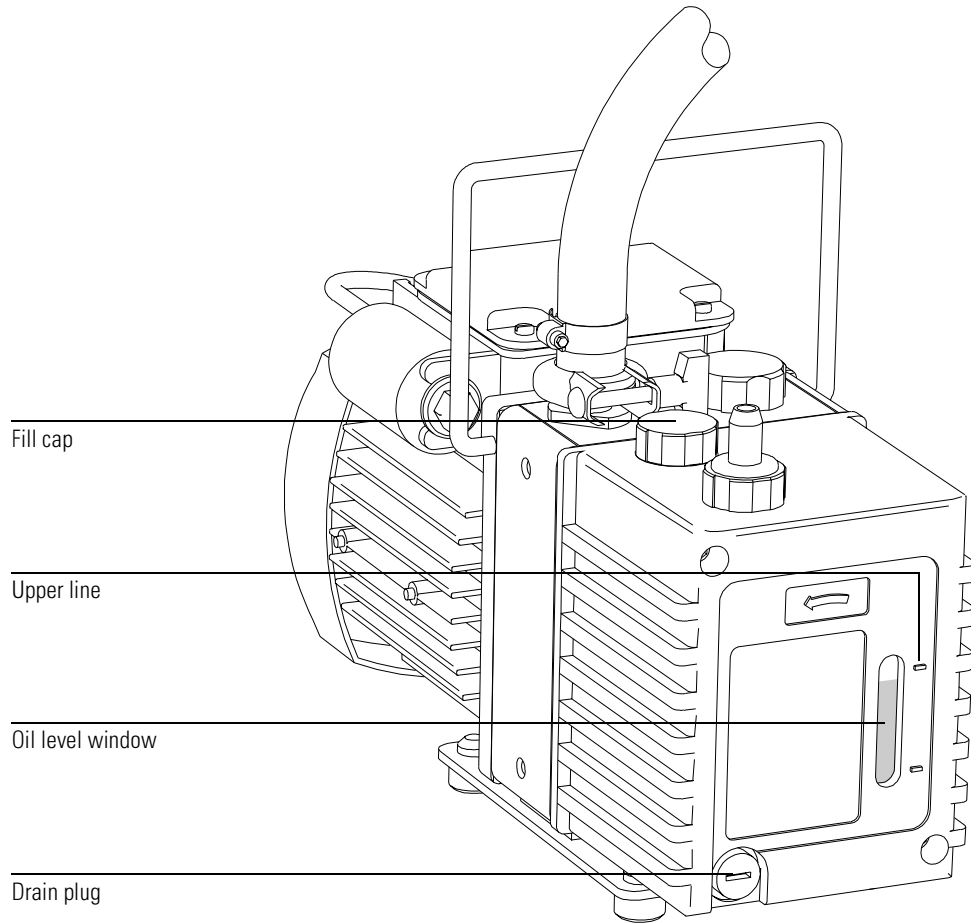
If the oil level drops, add oil to bring the oil level to near the upper line.

**6 Reinstall the fill cap.**

**7 If necessary, slide the foreline pump back under the analyzer chamber.**

The foreline pump may be located on the floor, on the lab bench next to or behind the MSD, or under the analyzer chamber at the back of the MSD.

**8 Pump down the MSD. See page 60.**



**To replace the oil trap**

---

## To replace the oil trap

*Materials needed:* Gloves, oil- and solvent-resistant  
Oil trap, foreline exhaust (G1099-80037)

If you are using an oil trap on the exhaust port of the foreline pump, you should replace the trap whenever the white filter element turns brown. The trap can be replaced without turning off the MSD.

---

**WARNING**

**Do not breathe the pump exhaust; it may contain pump oil vapor. Do not replace the trap while samples are being analyzed.**

---

**WARNING**

**Do *not* use the trap with a CI MSD, or if you are using toxic solvents or analyzing toxic chemicals. The trap stops only foreline pump oil. It does *not* trap or filter out toxic chemicals. Install a hose to take the foreline pump exhaust outside or to a fume hood.**

- 1 Remove the clamp that holds the oil trap to the trap adapter.**

---

**WARNING**

**Do not touch the foreline pump; it may be hot.**

- 2 Remove the oil trap.**  
Make sure the O-ring assembly stays on the adapter.
- 3 Install a new oil trap.**
- 4 Reinstall the clamp that holds the oil trap to the trap adapter.**

---

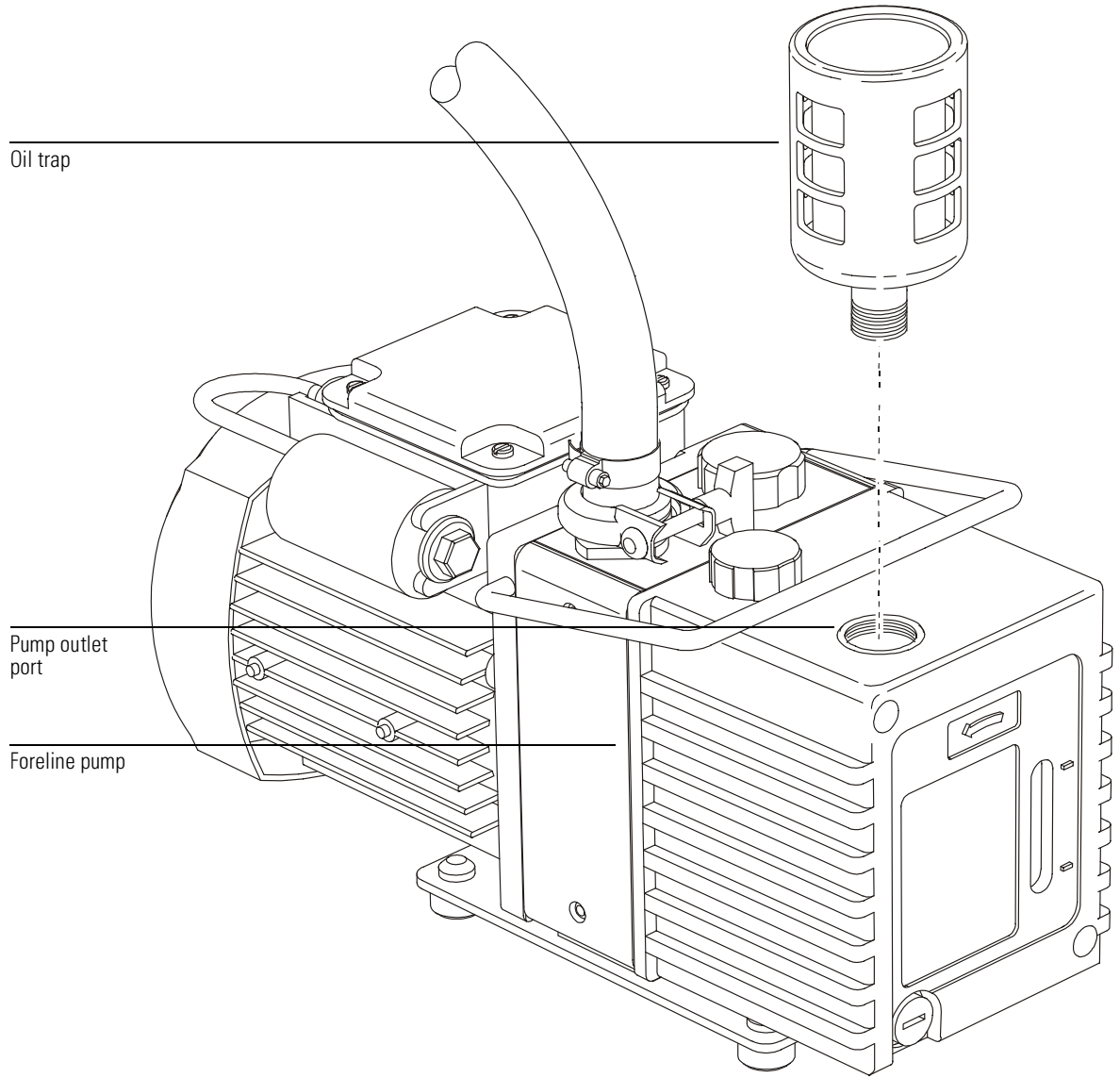
**WARNING**

**The oil trap will contain traces of oil, solvents, and analytes. Treat it as hazardous. Dispose of the oil trap in accordance with local environmental and safety regulations.**

---

**CAUTION**

If the trap has turned brown quickly, the MSD probably has a large air leak, which is causing pump oil to get blown out the exhaust port. Find and repair the air leak before installing a new trap. See the 5973N MSD Maintenance CD-ROM.



**To check the diffusion pump fluid**

---

## To check the diffusion pump fluid

*Materials needed:* Screwdriver, Torx T-15 (8710-1622)

- 1 Remove the upper and lower MSD covers. See page 52.**

---

**WARNING**

---

**Do not remove any other covers. Removing other covers may expose hazardous voltages.**

- 2 Check the diffusion pump fluid level.**

The diffusion pump fluid level can be seen through the window below the fan at the front of the MSD. The diffusion pump fluid level should be between the top and bottom of one of the **FULL** ranges. There are two sets of marks. Use the **HOT** marks if the diffusion pump is on and is at its normal operating temperature. Use the **COLD** marks if the pump is off and has had time to cool. If the fluid level is below the bottom of the appropriate range, replace the diffusion pump fluid. Do not just add fluid.

The pump fluid should be clear or almost clear. Dark or cloudy pump fluid indicates an air leak or excessive heat. If the pump fluid appears dark or cloudy, replace it. Then, check for an air leak.

The diffusion pump fluid should be replaced at least once a year, or more often if the pump fluid level is low or if the fluid is dark or cloudy.

---

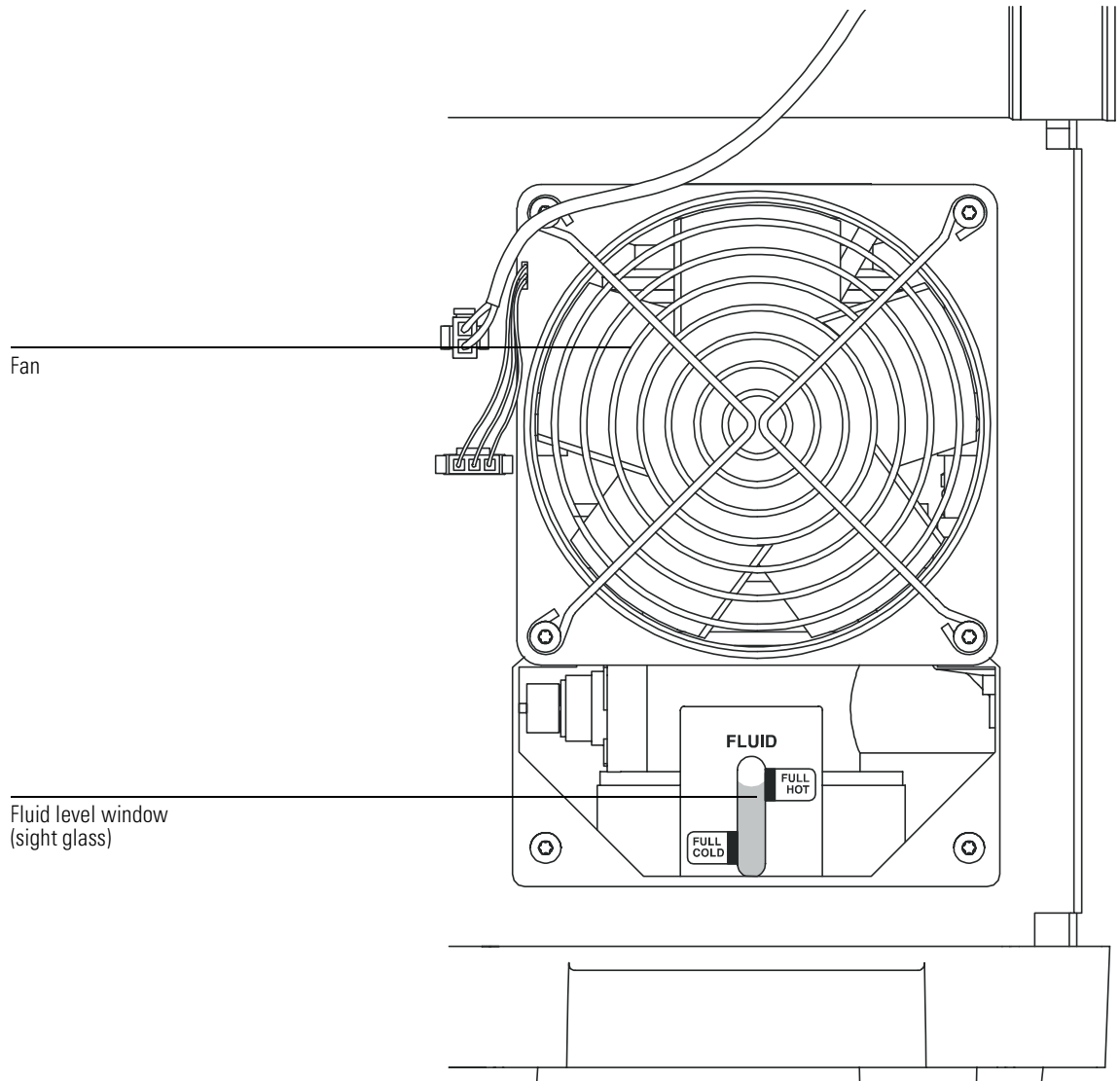
**WARNING**

---

**Keep your hair away from the cooling fan if the MSD is turned on.**



To check the diffusion pump fluid



**To replace the turbo pump**

---

## To replace the turbo pump

The turbo pumps are ***not*** customer-replaceable parts. The procedure is demonstrated on the 5973N Maintenance CD-ROM, and is for use by Agilent Technologies service personnel only.

## To separate the MSD from the GC

*Materials needed:* Wrench, open-end, 1/4-inch × 5/16-inch (8710-0510)

**See also** A video demonstration of this procedure is on the 5973N MSD Maintenance CD-ROM.

- 1 Vent the MSD. See page 54.**
- 2 Turn off the GC.**
- 3 Remove the capillary column from the GC/MSD interface.**

---

### WARNING

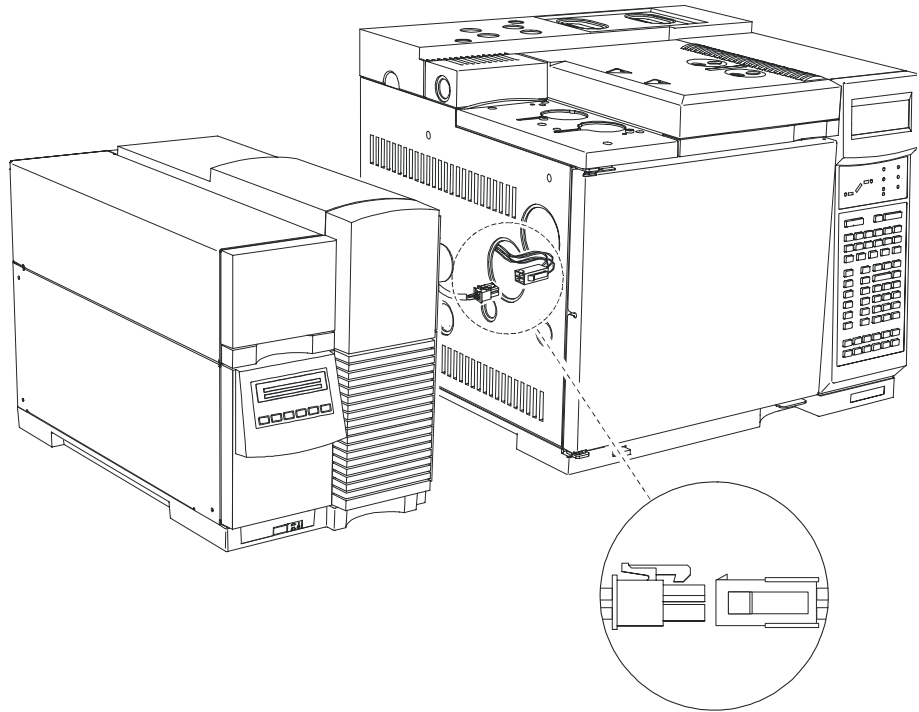
---

**Make sure the GC/MSD interface and GC oven have cooled before you remove the column.**

- 4 If necessary, slide the foreline pump out from under the analyzer chamber.**  
The foreline pump may be located on the floor, on the lab bench next to or behind the MSD, or under the analyzer chamber at the back of the MSD.
- 5 Move the MSD away from the GC until you have access to the GC/MSD interface cable.**
- 6 Place a column nut with a blank ferrule on the end of the interface.**  
This will help prevent contamination out of the MSD.
- 7 Disconnect the GC/MSD interface cable.**  
Disconnecting the cable with the GC on can cause a fault condition.
- 8 Continue to move the MSD until you have access to the part requiring maintenance.**

## 6 Maintaining the MSD

### To separate the MSD from the GC



## To remove the diffusion pump

*Materials needed:* Aluminum foil, clean  
Gloves, oil-resistant

**See also** The 5973N MSD Maintenance CD-ROM.

- 1 Vent the MSD. See page 54.**
- 2 Separate the MSD from the GC. See page 171.**

---

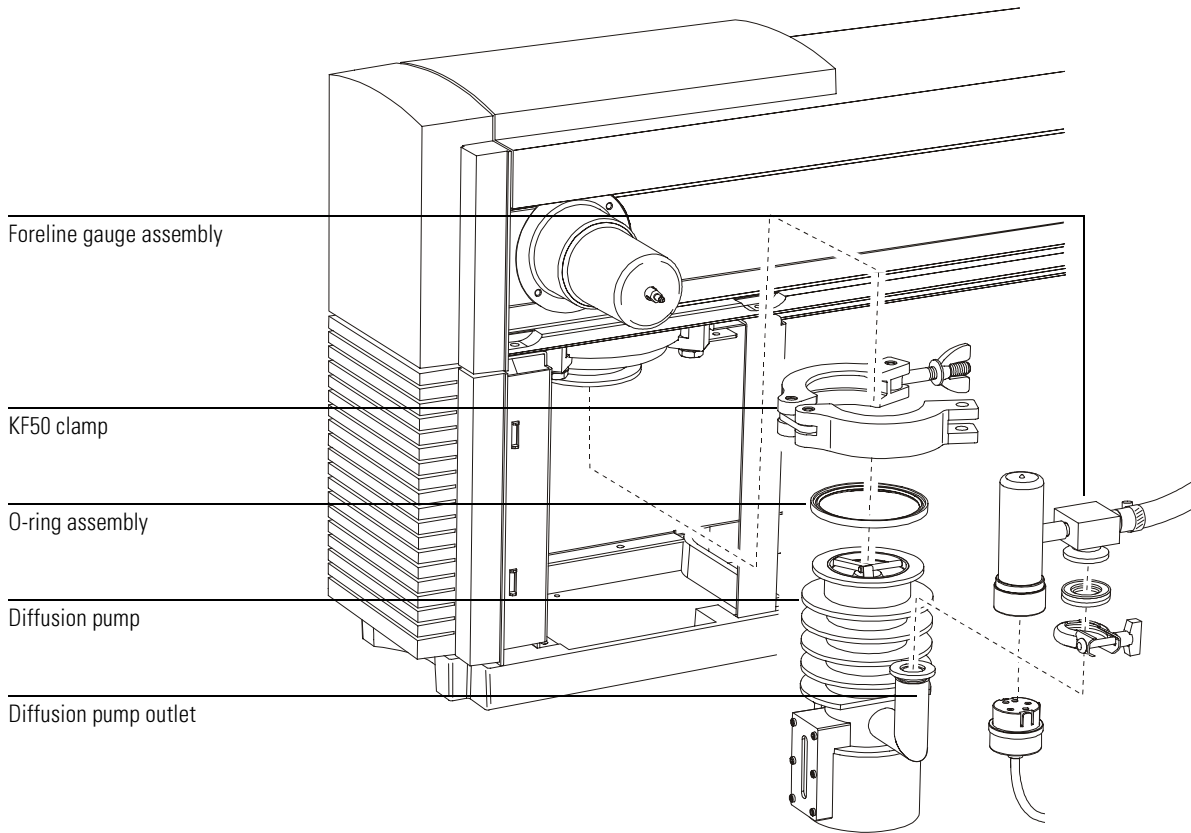
### **WARNING**

---

**The diffusion pump operates at very high temperatures. Make sure it has cooled before handling it.**

- 3 Disconnect the foreline gauge assembly from the diffusion pump outlet.**  
The foreline gauge cable can be disconnected or can remain connected to the foreline gauge.
- 4 Disconnect the diffusion pump temperature sensor wires from the wiring harness.**  
These are on the side of the diffusion pump not shown in the illustration.
- 5 Disconnect high vacuum power (HIVAC POWER) cable from the back panel of the MSD.**  
This is the thick black cable that emerges near the bottom of the pump.
- 6 Support the diffusion pump with one hand.**
- 7 Remove the KF50 clamp.**
- 8 Lower the diffusion pump.**

**To remove the diffusion pump**



**9 Remove the O-ring assembly from the top of the diffusion pump.**

The O-ring will have diffusion pump fluid on it and will be very sticky. Place the O-ring on clean aluminum foil (shiny side down) to keep your lab bench and the O-ring clean.

**10 Remove the diffusion pump through the side of the MSD.**

You may have to tilt the pump slightly to remove it. Do not tilt the pump past 45° if the pump is warm.

## To replace the diffusion pump fluid

*Materials needed:*

Aluminum foil, clean  
Cloths, clean, lint-free (05980-60051)  
Container for old diffusion pump fluid  
Diffusion pump fluid, 18.5 ml (6040-0809) – 2 required  
Gloves  
    oil- and solvent-resistant  
    thermally insulated

**1 Remove the diffusion pump from the MSD. See page 173.**

Make sure you remove the O-ring assembly from the top of the diffusion pump.

**2 Cover the top of the diffusion pump with aluminum foil (shiny side up).**

**3 Heat the diffusion pump at 60 °C for 15 minutes in your GC oven.**

---

**WARNING**

**The pump and pump fluid will be hot. Wear protective gloves when you remove the pump from the oven.**

**4 Pour the old diffusion pump fluid out the top of the pump.**

Even after heating, the pump fluid pours very slowly.

---

**WARNING**

**Treat the old pump fluid as hazardous. It may contain traces of toxic chemicals.**

*Charred or blackened  
pump fluid*

If the diffusion pump has been heated with insufficient pump fluid (or with a large air leak in the MSD), the remaining pump fluid may be severely blackened. Blackened pump fluid may also be baked onto the internal parts (stack) of the pump. If so, you may have to remove the diffusion pump stack and clean its parts, and the interior of the pump, with methylene chloride. Be very careful when reinstalling the stack. Misalignment of stack components can seriously reduce diffusion pump performance.

---

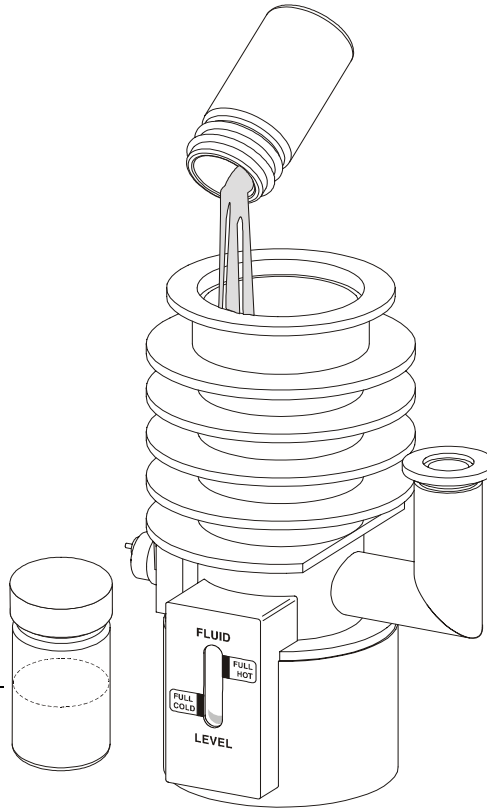
**WARNING**

**Methylene chloride is a hazardous solvent. Work in a fume hood and take all appropriate precautions.**

---

## 6 Maintaining the MSD

### To replace the diffusion pump fluid



Only use about half of the second bottle.

#### **5 Wipe clean the diffusion pump flange on the analyzer chamber.**

Follow the instructions on the bottle for pre-heating the diffusion pump fluid.

#### **6 Pour new diffusion pump fluid into diffusion pump until the fluid level is within the FULL COLD range.**

The recommended charge for this pump is 30 ml. It will require approximately 1.5 of the bottles (18.5 ml each) of diffusion pump fluid. Pour the fluid between the center stack and the side wall. Watch the sight glass while pouring. Do not overfill.

#### **7 Reinstall the diffusion pump. See page 177.**



## To reinstall the diffusion pump

*Materials needed:*

Gloves, oil-resistant  
Vacuum cleaner, non-ESD generating (92175V or equivalent)

This procedure works best with two people, one to hold the pump and one to install the clamp.

**1 Vacuum the fan that cools the diffusion pump.**

Keeping the fan clean helps ensure maximum cooling. This is one of the few times you will have convenient access to the pump side of the fan.

**2 Slide the diffusion pump into the MSD.**

You may have to tilt the pump slightly to get it into the MSD. Do not tilt it past 45°.

**3 Install the O-ring assembly on the diffusion pump.**

**4 Lift the diffusion pump into its normal position.**

**5 Install the KF50 clamp.**

**6 Reconnect the diffusion pump temperature sensor wires to the wiring harness.**

**7 Reconnect the high vacuum power cable to the HIVAC POWER connector on the back panel of the MSD.**

This is the thick black cable that emerges near the bottom of the pump.

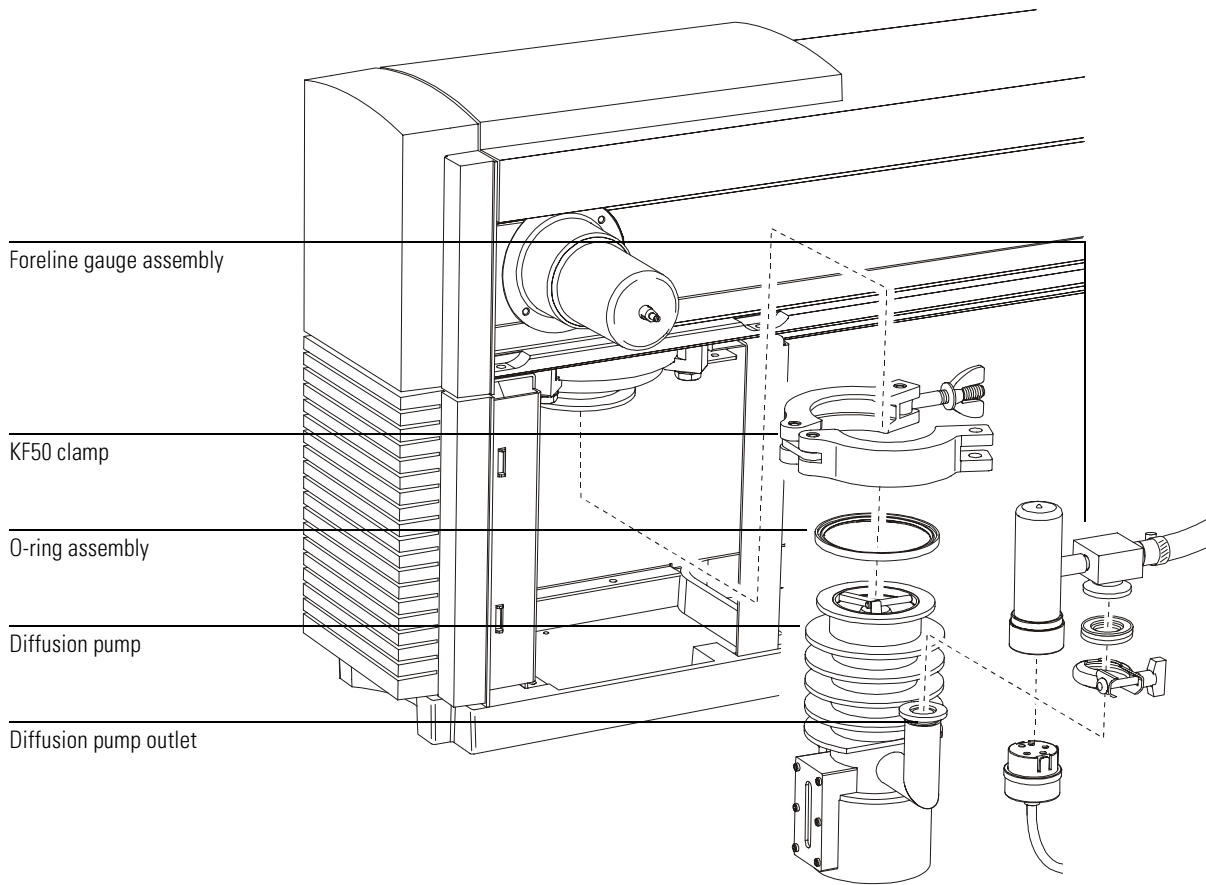
**8 Reconnect the foreline gauge fitting to the outlet of the diffusion pump.**

If you disconnected the foreline gauge cable, reconnect it to the foreline gauge.

**9 Move the MSD back to its normal position. See page 179.**

## 6 Maintaining the MSD

### To reinstall the diffusion pump



## To reconnect the MSD to the GC

*Materials needed:* Wrench, open-end, 1/4-inch × 5/16-inch (8710-0510)

- 1 Position the MSD so the end of the GC/MSD interface is near the GC.**
- 2 Reconnect the GC/MSD interface cable.**
- 3 Slide the MSD to its regular position next to the GC.**

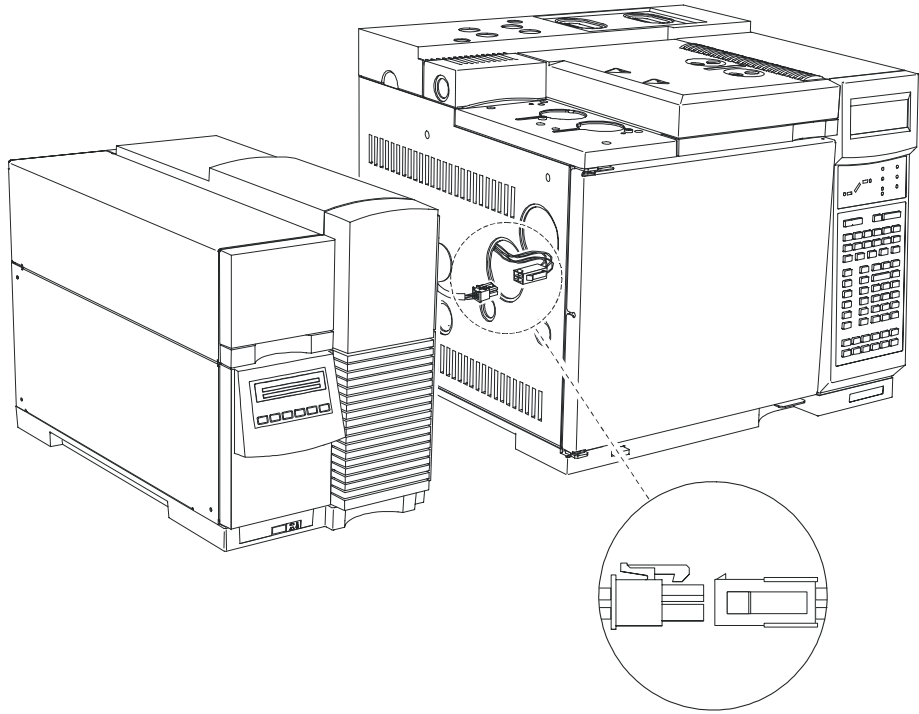
Be careful not to damage the GC/MSD interface as it passes into the GC. Make sure the end of the GC/MSD interface extends into the GC oven.
- 4 If necessary, slide the foreline pump back under the analyzer chamber.**

The foreline pump may be located on the floor, on the lab bench next to or behind the MSD, or under the analyzer chamber at the back of the MSD.
- 5 Reinstall the capillary column. See page 28.**
- 6 Pump down the MSD. See page 60.**
- 7 Turn on the GC.**

Re-establish appropriate temperature setpoints for the GC/MSD interface and GC oven.

## 6 Maintaining the MSD

### To reconnect the MSD to the GC



## To remove the EI calibration vial

*Materials needed:* None

**1 Stop any tuning or data acquisition.**

**2 Turn off the analyzer.**

There are several ways to turn off the analyzer:

- In the Diagnostics/Vacuum Control view, select **MS OFF** from the Diagnostics menu.
- In the Instrument Control view in the Edit Parameters dialog box, select **MS OFF** from the Execute menu.
- In the Manual Tune view, select **MS OFF** from the Execute menu.

**3 If your MSD is equipped with a gauge controller, switch off the triode gauge and the gauge controller.**

**4 Remove the analyzer cover. See page 52.**

**5 Loosen the calibration vial collar by turning it counterclockwise.**

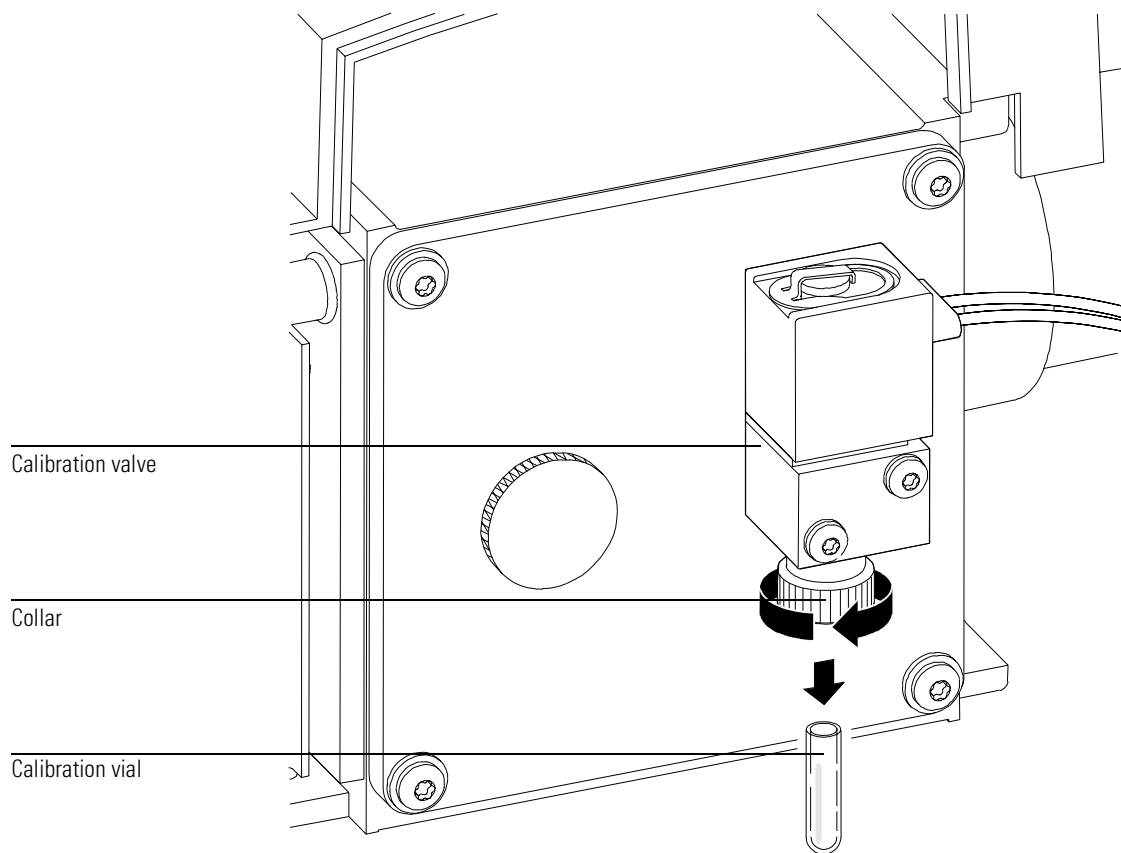
Counterclockwise as viewed from the bottom (vial side) of the collar. Do not remove the collar.

**6 Pull the calibration vial out.**

You may feel some resistance due to residual vacuum.

## 6 Maintaining the MSD

### To remove the EI calibration vial



---

## To refill and reinstall the EI calibration vial

*Materials needed:* PFTBA (05971-60571) or other tuning compound

- 1 Remove the calibration vial. See page 190.**
- 2 Pour PFTBA into the vial, or use a pipette.**  
Leave the top 6-mm of the vial unfilled.
- 3 Push the calibration vial into the valve as far as possible.**
- 4 Withdraw the vial 1 mm.**  
This prevents damage when you tighten the collar.
- 5 Turn the collar clockwise to tighten it.**  
Clockwise as viewed from the bottom (vial side) of the collar. The collar should be snug but not overly tight. Do **not** use a tool to tighten the collar. It does not require that much force.
- 6 Reinstall the analyzer cover.**
- 7 Select Purge Cal Valve from the Vacuum menu in the Diagnostics/Vacuum Control view.**

---

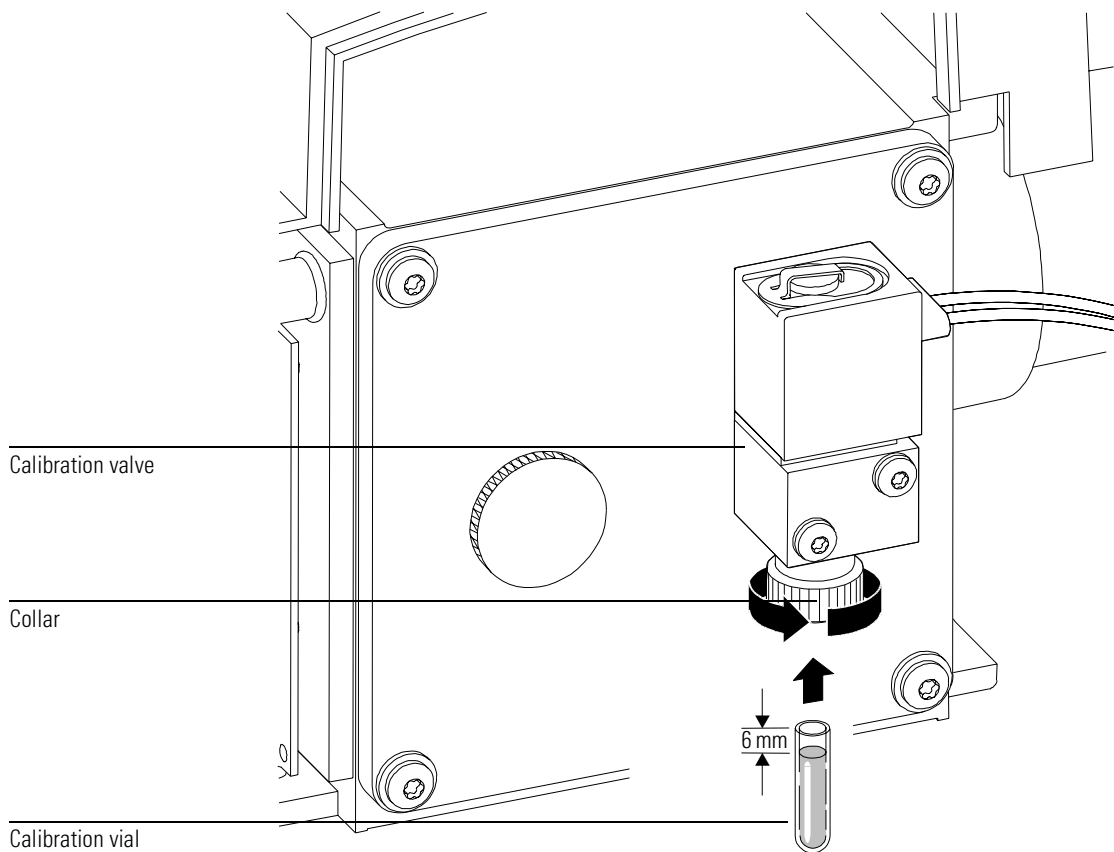
### CAUTION

---

Failure to purge the calibration valve will result in damage to the filaments and detector.

## 6 Maintaining the MSD

### To refill and reinstall the EI calibration vial





## To purge the calibration valves

---

### CAUTION

---

After removing a calibrant vial, you **must** purge the calibration valve. Failure to do so will result in damage to the filaments and the electron multiplier.

#### EI calibration valve

After adding new PFTBA to the calibrant vial, you must purge the air out of the vial and valve.

- 1 If the vacuum gauge controller is on, turn it off.**
- 2 In Diagnostics and Vacuum Control view, select Purge Cal Valve under the Vacuum menu.**

This will open the CI calibration valve for several minutes with all analyzer voltages turned off.

*Special Procedure for  
CI MSD*

#### CI calibration valve

After adding new PFDTD to the calibrant vial, you must purge the air out of the vial and valve.

- 3 If the vacuum gauge controller is on, turn it off.**
- 4 Turn on Gas A.**
- 5 Turn on Purge.**
- 6 Verify that PCICH4.U is loaded.**
- 7 In Diagnostics and Vacuum Control view, select Purge Cal Valve under the Vacuum menu.**

This will open the CI calibration valve for several minutes with all analyzer voltages turned off.

**To remove the foreline gauge**

---

To remove the foreline gauge

*Materials needed:* Screwdriver, flat-blade, large (8730-0002)

- 1 Vent the MSD. See page 54.
- 2 Separate the MSD from the GC. See page 171.

---

**WARNING**

---

The foreline pump and diffusion pump may still be hot.

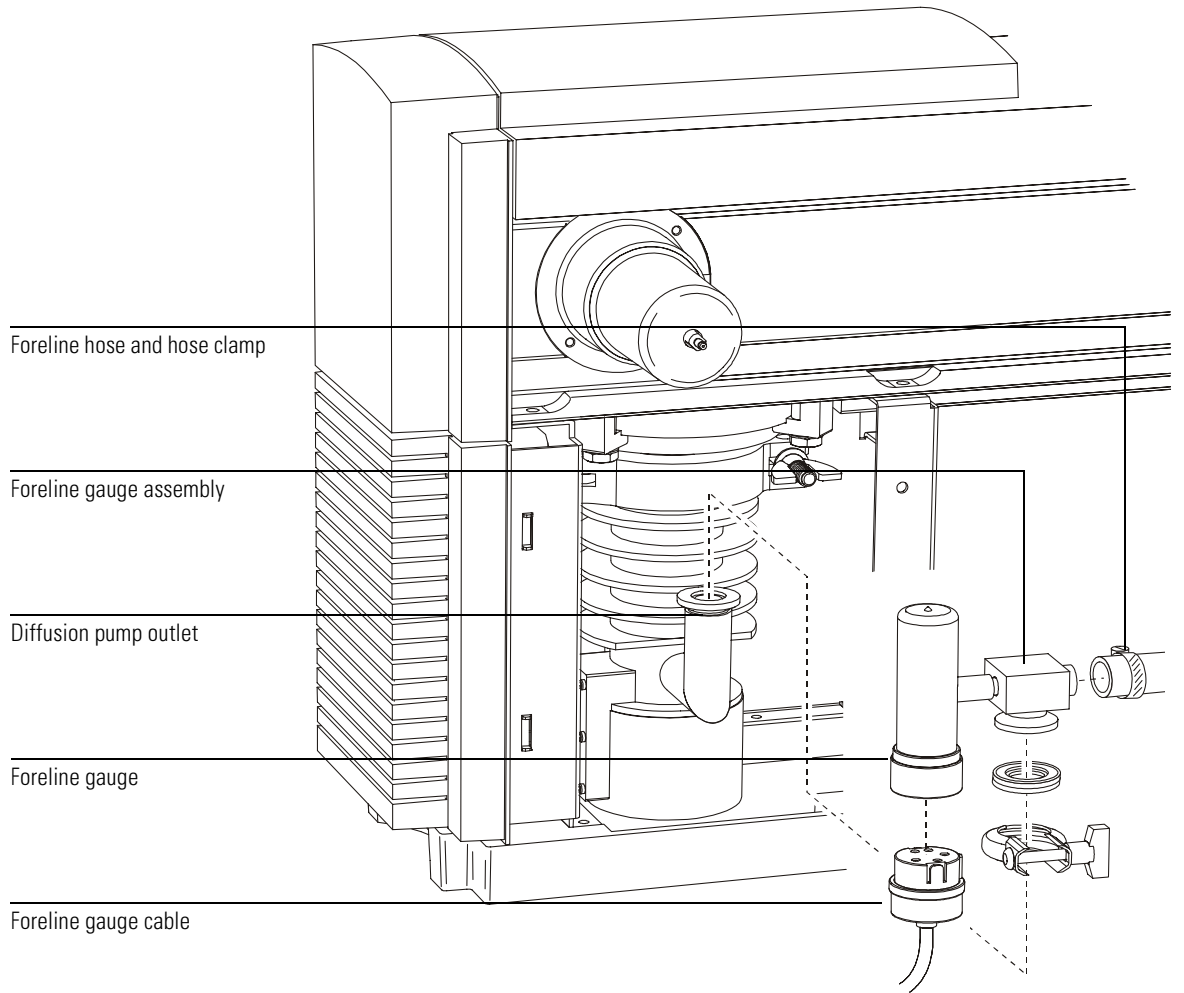
- 3 Unplug the foreline gauge cable from the foreline gauge.
- 4 Disconnect the foreline gauge assembly from the diffusion pump outlet.
- 5 Loosen the hose clamp.
- 6 Pull the foreline gauge assembly out of the foreline hose.

---

**CAUTION**

---

Be sure the MSD is vented to atmosphere before breaking the seal at the foreline gauge. **Never** vent the MSD at the pump end; use the vent valve.



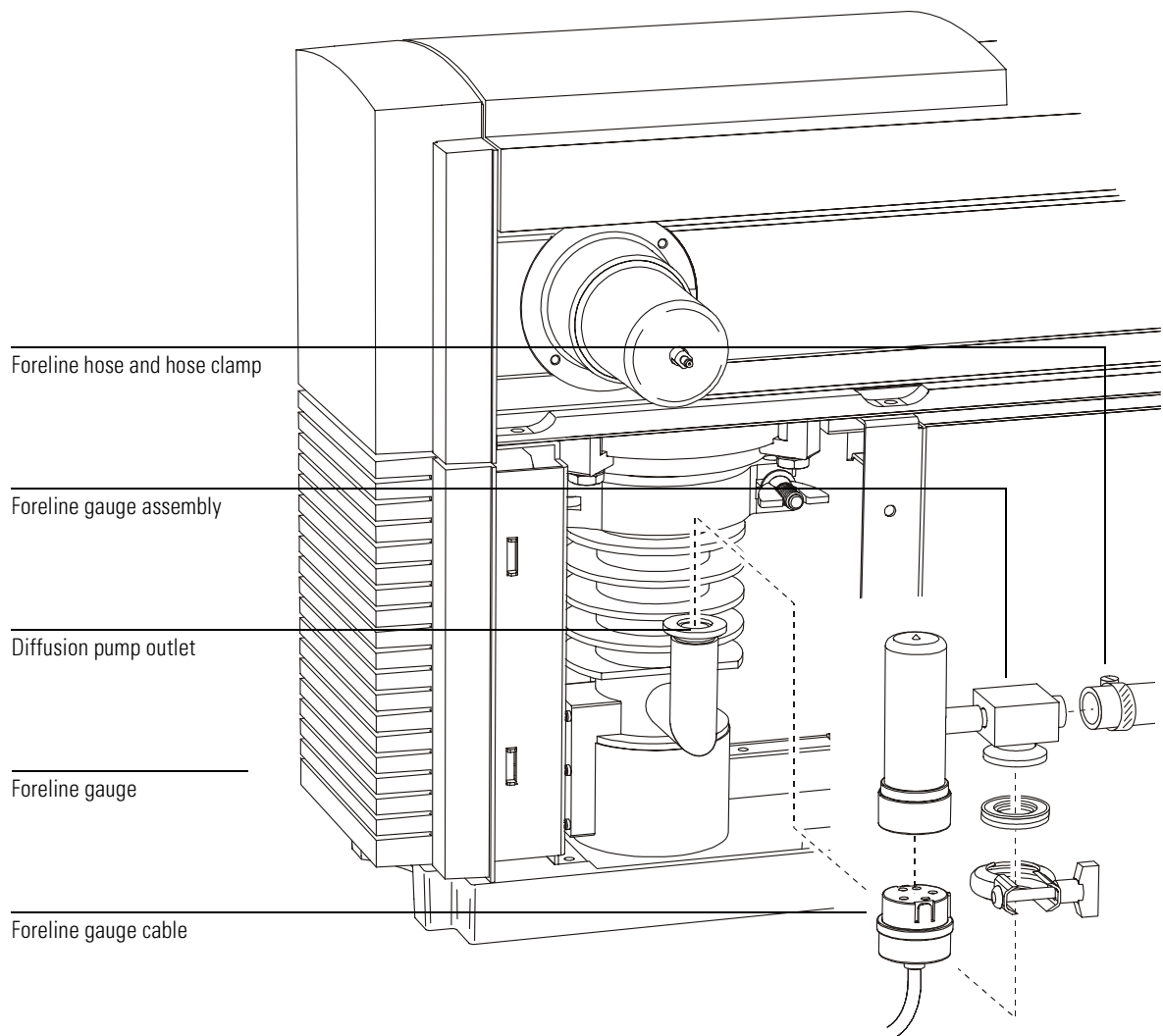
**To reinstall a foreline gauge**

---

## To reinstall a foreline gauge

*Materials needed:* Foreline gauge assembly (G1099-60545)  
Screwdriver, flat-blade, large (8730-0002)

- 1 Connect a new foreline gauge assembly to the foreline hose.**
- 2 Tighten the hose clamp.**
- 3 Reconnect the foreline gauge cable to the foreline gauge.**
- 4 Reconnect the foreline gauge assembly to the diffusion pump outlet.**
- 5 Reconnect the MSD to the GC. See page 179.**
- 6 If necessary, slide the foreline pump back under the analyzer chamber.**  
The foreline pump may be located on the floor, on the lab bench next to or behind the MSD, or under the analyzer chamber at the back of the MSD.
- 7 Pump down the MSD. See page 60.**



**To remove the EI calibration valve**

---

## To remove the EI calibration valve

*Materials needed:* Screwdriver, Torx T-15 (8710-1622)

- 1 Vent the MSD. See page 54.**
- 2 Disconnect the calibration valve cable from the connector next to the fan.**
- 3 Loosen the collar and remove the calibration vial.**

Turn the collar counterclockwise as viewed from the bottom (vial side) of the thumbscrew. Just loosen the collar, do not remove it.

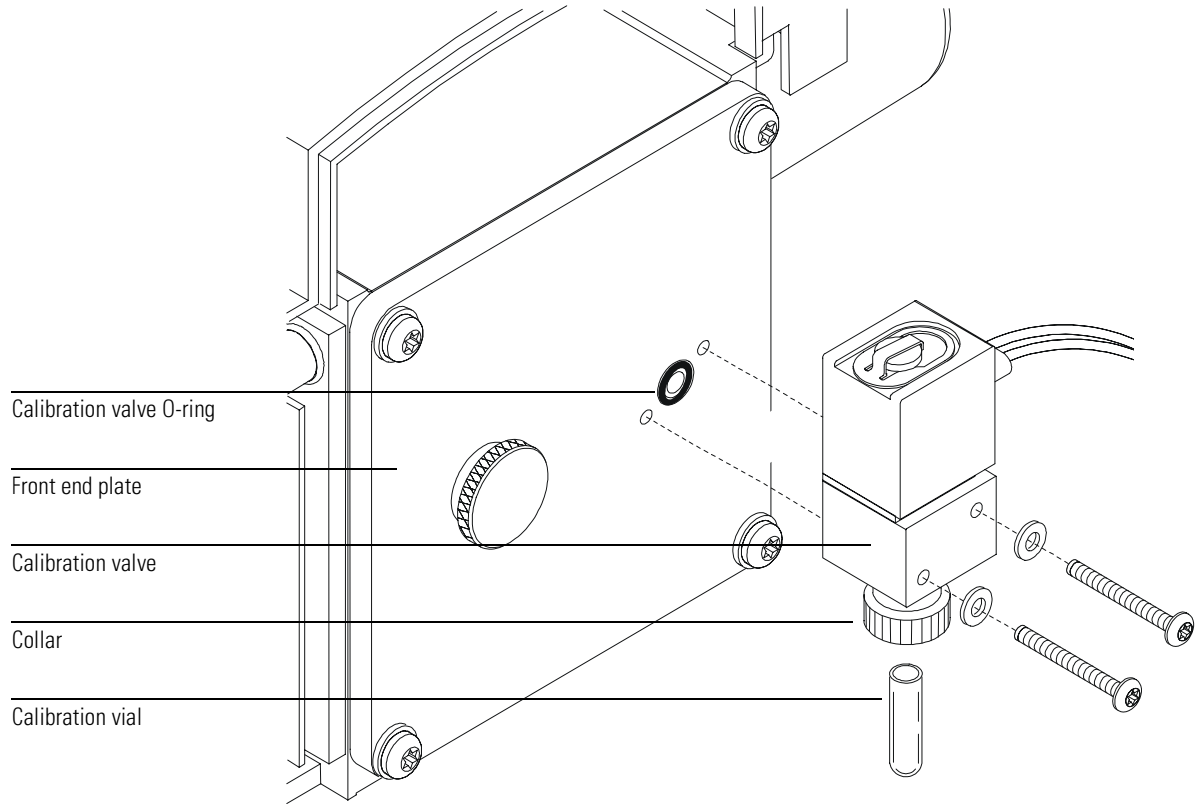
---

**CAUTION**

Removing the valve with the vial installed can result in liquid calibrant getting into the restrictor of the valve. Liquid in the restrictor will prevent diffusion of PFTBA into the analyzer chamber for tuning. If this happens, the valve should be replaced.

---

- 4 Remove the calibration valve from the front end plate.**



**To reinstall the EI calibration valve**

---

## To reinstall the EI calibration valve

*Materials needed:*

Calibration valve  
    for diffusion pump or standard turbo (G1099-60201)  
    for performance turbomolecular pump (G1099-60204)  
O-ring, for calibration valve (0905-1217) – replace if the old O-ring is damaged  
PFTBA (05971-60571) or other tuning compound  
Screwdriver, Torx T-15 (8710-1622)

- 1 Remove the old calibration valve. See page 190.**
- 2 Make sure the calibration valve O-ring is in place.**  
If the O-ring is worn or damaged, replace it.
- 3 Install the calibration valve.**  
Tighten the screws that hold it in place. Make sure you use the calibration valve that matches the high vacuum pump in your MSD. The different calibration valves have different restrictors. Using the wrong valve will interfere with tuning.
- 4 Reconnect the calibration valve cable to the connector next to the fan.**
- 5 Remove the vial from the new calibration valve. See page 181.**  
The valve is supplied with a vial already installed.
- 6 Fill and reinstall the calibration vial. See page 183.**
- 7 Pump down the MSD. See page 60.**
- 8 Select Purge Cal Valve from the Vacuum menu in the Diagnostics/Vacuum Control view.**

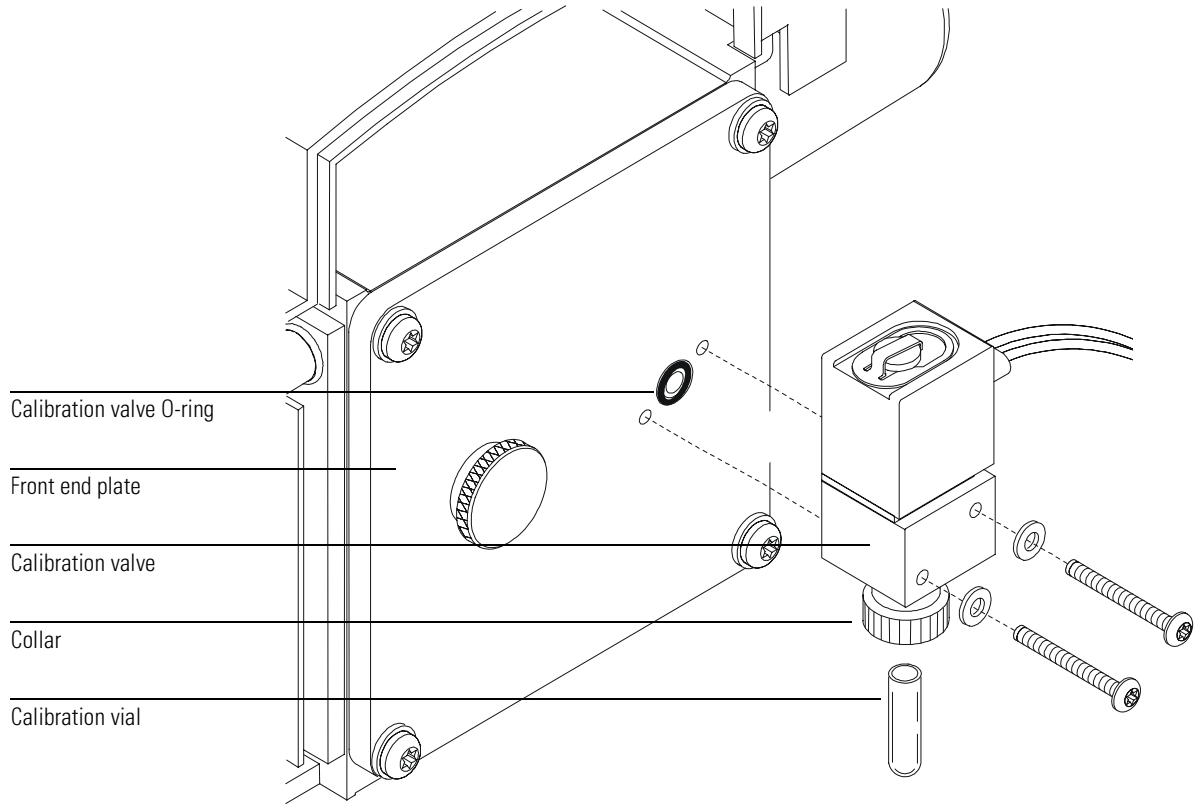
---

**CAUTION**

---

Failure to purge the calibration valve will result in damage to the filaments and detector.





**To replace the fan for the high vacuum pump**

---

**To replace the fan for the high vacuum pump**

*Materials needed:* Fan (3160-1037)  
Screwdriver, Torx T-15 (8710-1622)

- 1 Vent the MSD. See page 54.**
- 2 Remove the upper and lower MSD covers. See page 52.**
- 3 Disconnect the fan wiring from the connector on the MSD frame.**
- 4 Remove the 4 fan screws and remove the fan.**  
Keep the 4 screws.

---

**WARNING**

**Do not touch the high vacuum pump. The high vacuum pumps, especially the diffusion pump, operate at dangerously high temperatures and could still be hot enough to burn you.**

---

- 5 Disconnect the fan wiring and safety grill from the old fan.**  
The fan wiring ends in a small connector on the back of the fan.
- 6 Connect the fan wiring and safety grill to the new fan.**
- 7 Install the new fan and reinstall the 4 screws.**  
The flow arrow on the side of the fan points towards the pump.

---

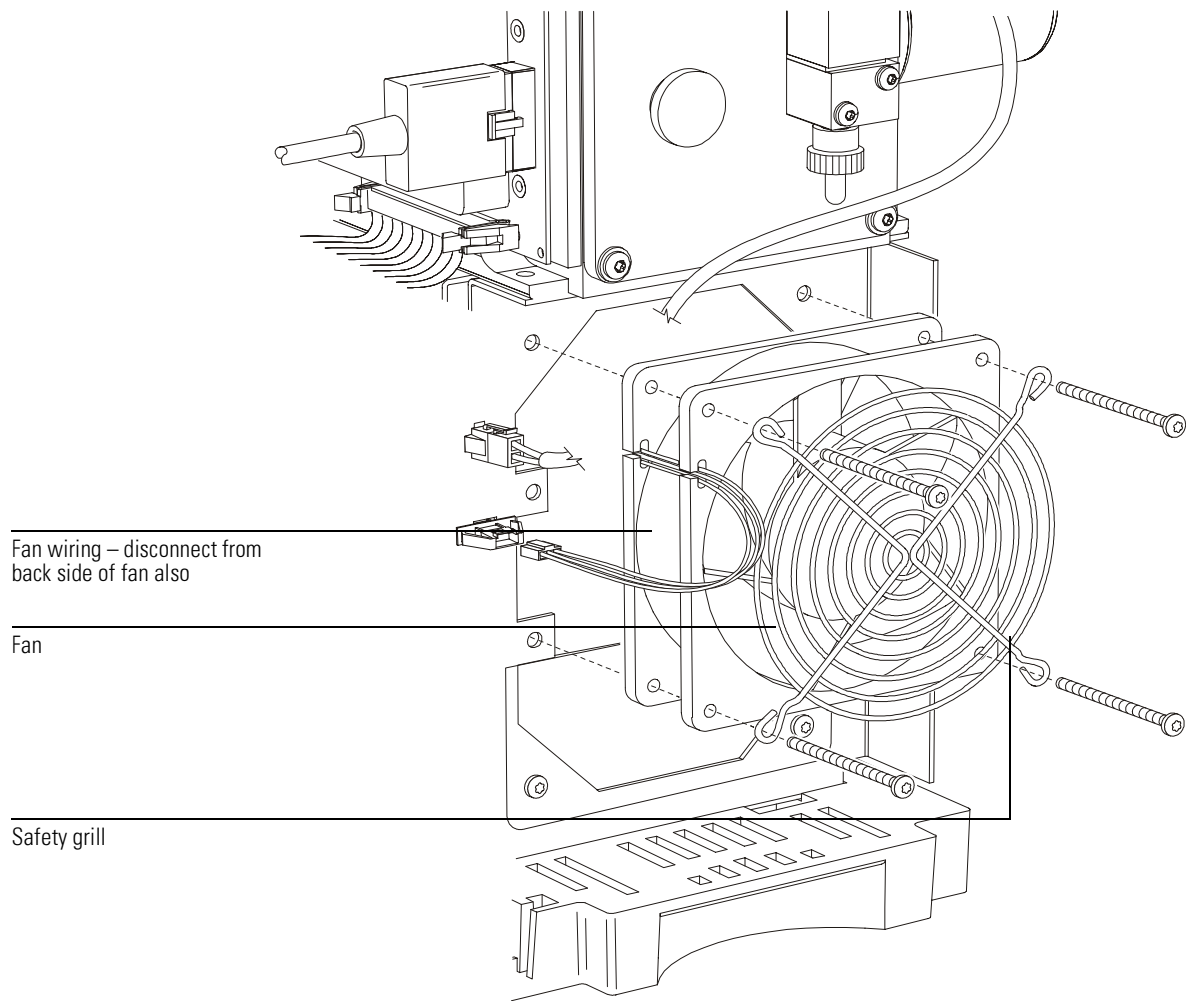
**WARNING**

**Make sure the safety grill that shields the fan blades is in place.**

---

- 8 Connect the fan wiring to the fan connector on the MSD frame.**
- 9 Reinstall the MSD covers.**
- 10 Pump down the MSD. See page 60.**

To replace the fan for the high vacuum pump



**To remove the triode gauge tube**

---

## To remove the triode gauge tube

*Materials needed:* Gloves, clean, lint-free  
large (8650-0030)  
small (8650-0029)

- 1 Vent the MSD. See page 54.**
- 2 Disconnect the cable from the triode gauge tube.**

---

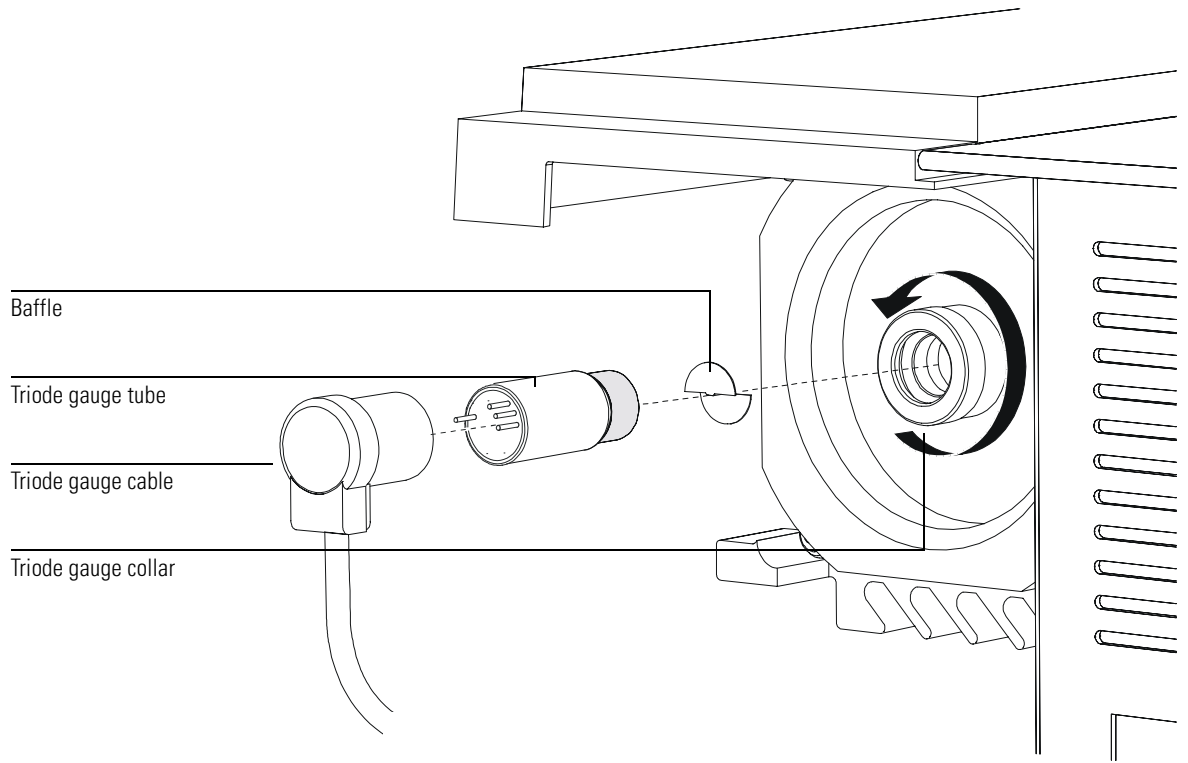
**WARNING**

---

**Never connect or disconnect the cable from the triode gauge tube while the MSD is under vacuum. The stress could cause the tube to implode.**

- 3 Loosen the triode gauge collar by turning it counterclockwise.**  
Do not remove the collar.
- 4 Pull the triode gauge tube out of the collar.**
- 5 Remove the baffle from the open end of the triode gauge tube.**  
Wear clean gloves when handling the baffle. If you set the baffle down, make sure it is on a clean surface.

**To remove the triode gauge tube**



**To reinstall a triode gauge tube**

---

## To reinstall a triode gauge tube

*Materials needed:*

Gloves, clean, lint-free  
    large (8650-0030)  
    small (8650-0029)  
Triode gauge tube (0960-0897)

- 1 Remove the old triode gauge tube. See page 196.**
- 2 Slide the baffle into the open end of the new triode gauge tube.**  
Wear clean gloves when handling the baffle and new triode gauge tube. If you set the baffle down, make sure it is on a clean surface.
- 3 Slide the triode gauge tube into the collar.**  
Leave 3 mm of the metal sleeve exposed. Be sure the pins are oriented as in the illustration.
- 4 Gently hand tighten the collar by turning it clockwise.**

---

**WARNING**

---

**Do not overtighten; you can break the tube or damage the O-ring.**

- 5 Reconnect the cable from the gauge controller to the triode gauge tube.**  
Route the cable so it does not put stress on the triode gauge tube.

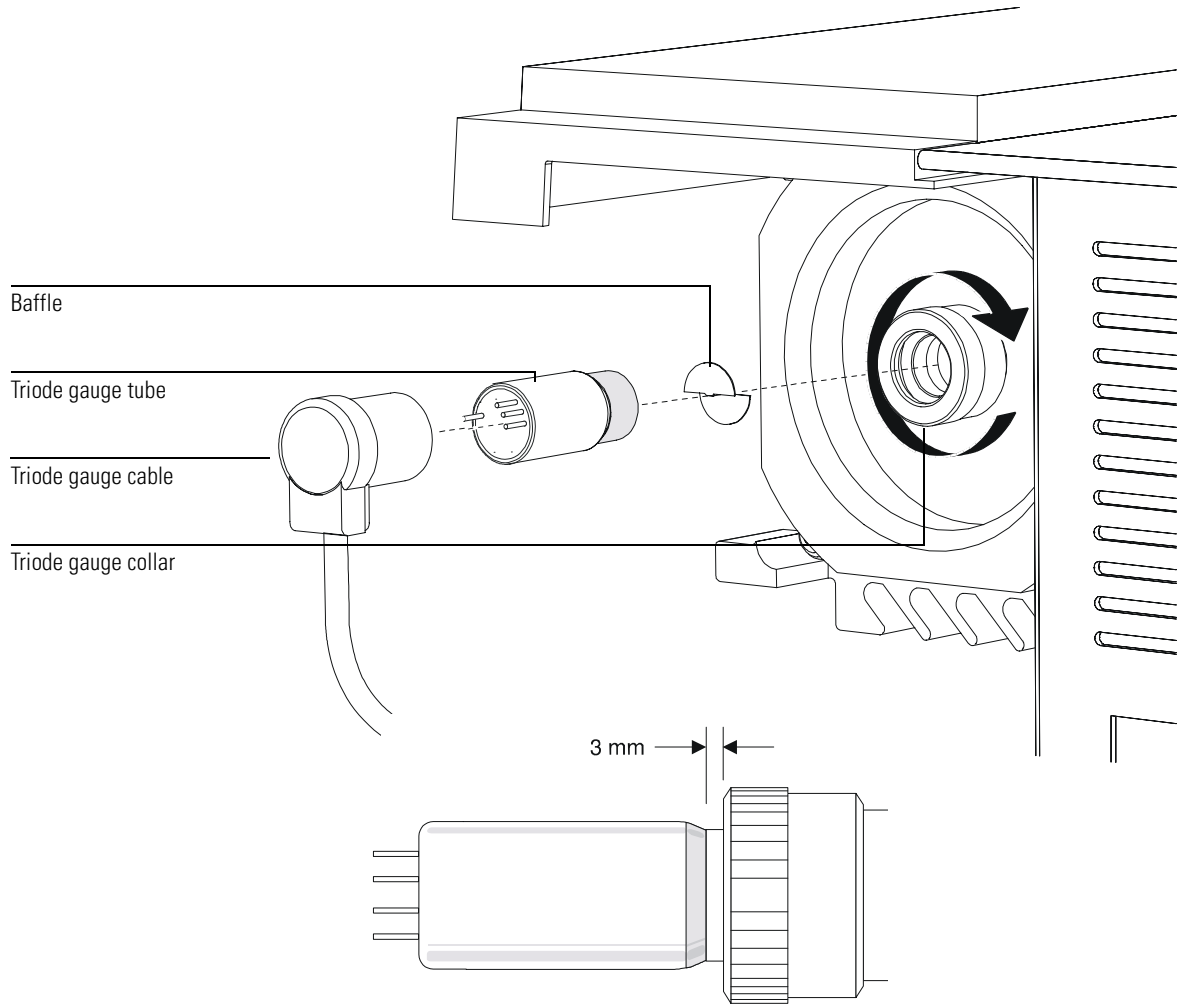
---

**CAUTION**

---

**Be careful when attaching the cable. Too much force can break the tube. Do not move the controller or cable while connected to the tube.**

- 6 Pump down the MSD. See page 60.**



**To lubricate the side plate O-ring**

---

## To lubricate the side plate O-ring

*Materials needed:*

Cloths, clean (05980-60051)  
Gloves, clean, lint-free  
    large (8650-0030)  
    small (8650-0029)  
Grease, Apiezon L, high vacuum (6040-0289)

The side plate O-ring needs a thin coat of grease to ensure a good vacuum seal. If the side plate O-ring appears dry, or does not seal correctly, lubricate it using this procedure. A good test is to wipe off the side plate with methanol, then close the analyzer chamber. If the O-ring has enough grease on it, it will leave a faint trace on the side plate.

---

**CAUTION**

---

Vacuum seals other than the side plate O-ring and vent valve O-ring do not need to be lubricated. Lubricating other seals can interfere with their correct function.

- 1 Vent the MSD. See page 54.**
- 2 Open the analyzer chamber. See page 56.**
- 3 Use a clean, lint-free cloth or glove to spread a *thin* coat of high vacuum grease only on the exposed surface of the O-ring.**

---

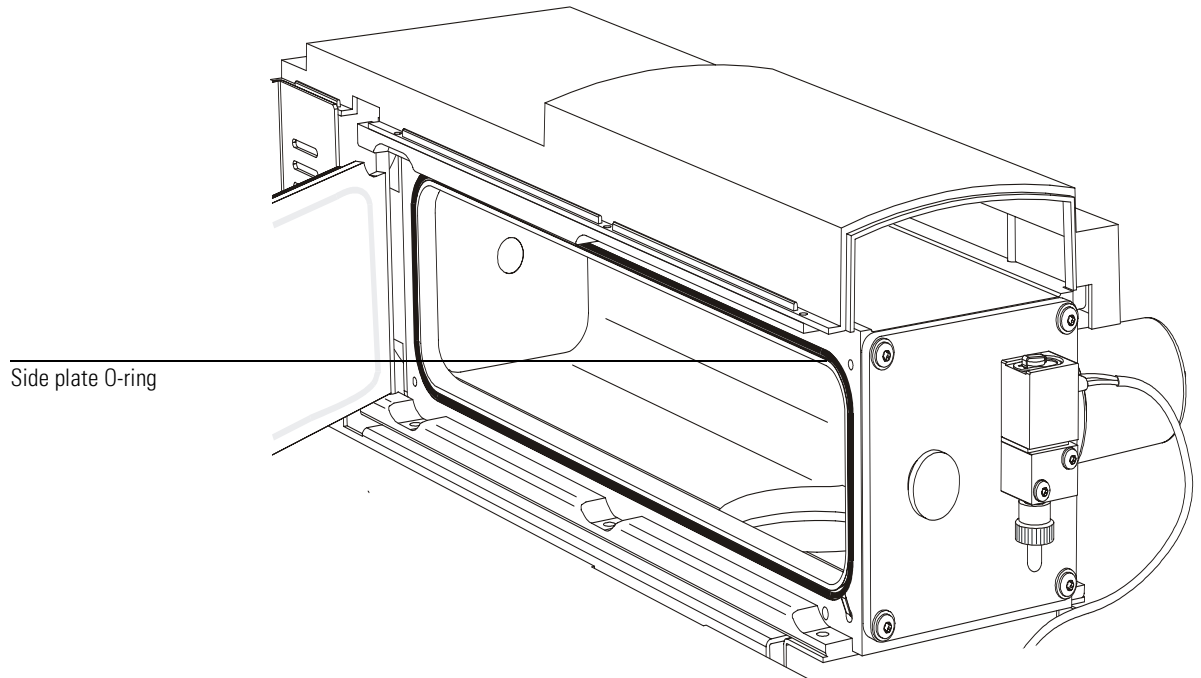
**CAUTION**

---

Do not use anything except the recommended vacuum grease. Excess grease can trap air and dirt. Grease on surfaces of the O-ring other than the exposed surface can trap air, resulting in air spikes during operation.

- 4 Use a clean, lint-free cloth or glove to wipe away excess grease.**  
If the O-ring looks shiny, there is too much grease on it.
  - 5 Close the analyzer chamber. See page 58.**
  - 6 Pump down the MSD. See page 60.**
-





**See also**

A video demonstration of this procedure is on the 5973N MSD Maintenance CD-ROM.

---

## To lubricate the vent valve O-ring

*Materials needed:*

Cloths, clean (05980-60051)

Gloves, clean, lint-free

    large (8650-0030)

    small (8650-0029)

Grease, Apiezon L, high vacuum (6040-0289)

O-ring, vent valve (0905-1217) - replace if the old O-ring is worn or damaged

The vent valve O-ring needs a thin coat of lubrication to ensure a good vacuum seal and smooth operation. If the vent valve O-ring does not turn smoothly, or does not seal correctly, lubricate it using this procedure.

---

### CAUTION

Vacuum seals other than the side plate O-ring and vent valve O-ring do not need to be lubricated. Lubricating other seals can interfere with their correct function.

**1 Vent the MSD. See page 54.**

**2 Completely remove the vent valve knob.**

**3 Inspect the O-ring.**

If the O-ring appears damaged, replace it.

**4 Use a clean, lint-free cloth or glove to spread a *thin* coat of high vacuum grease on the exposed surface of the O-ring.**

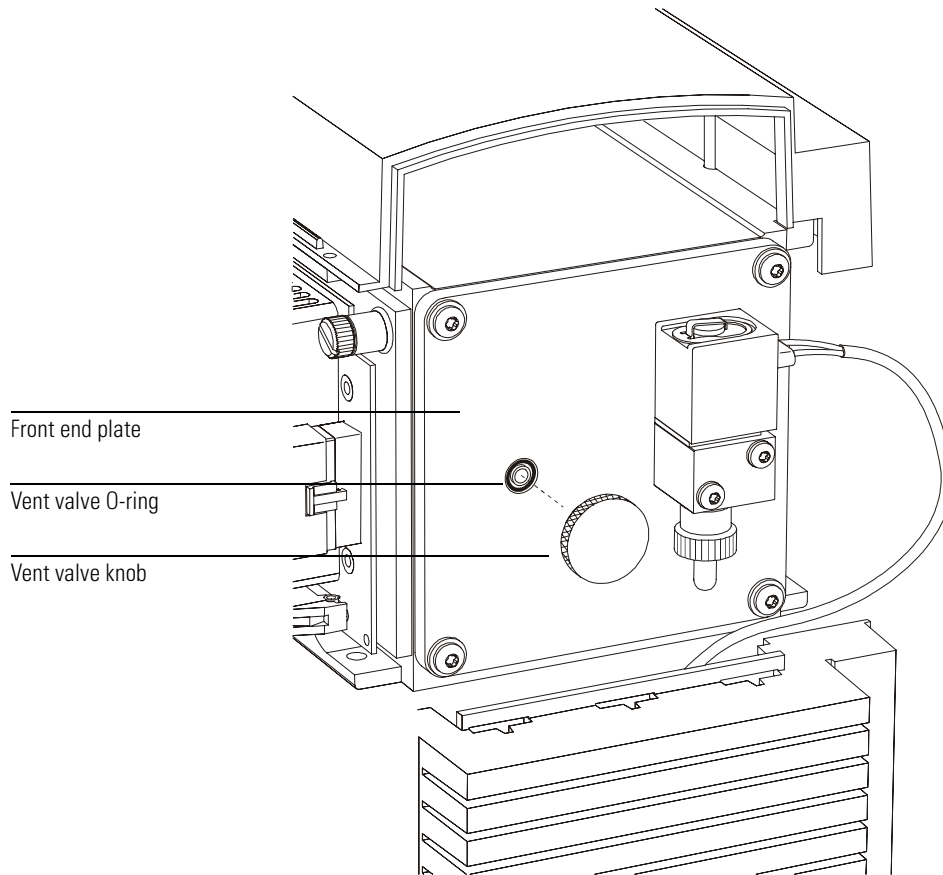
---

### CAUTION

Excess grease can trap air and dirt. Grease on surfaces of the O-ring other than the exposed surface can trap air, resulting in air spikes during operation.

**5 Use a clean, lint-free cloth or glove to wipe away excess grease.**

If the O-ring looks shiny, there is too much grease on it.



**6 Reinstall the vent valve knob.**

**CAUTION**

Be very careful when reinstalling the vent valve knob. It is very easy to cross thread the knob and damage the threads in the front end plate. Be sure the O-ring stays in place.

**7 Pump down the MSD. See page 60.**

---

# Maintaining the analyzer

## ***The analyzer requires no periodic maintenance***

None of the analyzer components requires periodic maintenance. Some tasks, however, must be performed when MSD behavior indicates they are necessary. These tasks include:

- Cleaning the ion source
- Replacing filaments
- Replacing the electron multiplier horn

*Troubleshooting the MSD*, on page 93 provides information about symptoms that indicate the need for analyzer maintenance. The troubleshooting material in the online help in the MSD ChemStation software provides more extensive information.

## ***Care must be taken during analyzer maintenance to keep components clean***

Analyzer maintenance involves opening the analyzer chamber and removing parts from the analyzer. During analyzer maintenance procedures, care must be taken to avoid contaminating the analyzer or interior of the analyzer chamber. Clean gloves should be worn during all analyzer maintenance procedures. After cleaning, parts must be thoroughly baked out before they are reinstalled. After cleaning, analyzer parts should be placed only on clean, lint-free cloths.

---

### **CAUTION**

---

If not done correctly, analyzer maintenance can introduce contaminants into the MSD.

---

### **WARNING**

---

**The analyzer operates at high temperatures. Do not touch any part until you are sure it is cool.**

***Some parts can be damaged by electrostatic discharge***

The wires, contacts, and cables connected to the analyzer components can carry electrostatic discharges (ESD) to the electronics boards to which they are connected. This is especially true of the mass filter (quadrupole) contact wires which can conduct ESD to sensitive components on the side board. ESD damage may not cause immediate failure but will gradually degrade performance and stability. See page 158 for more information.

---

**CAUTION**

---

Electrostatic discharges to analyzer components are conducted to the side board where they can damage sensitive components. Wear a grounded anti-static wrist strap (see page 158) and take other anti-static precautions **before** you open the analyzer chamber.

***Some analyzer parts should not be disturbed***

The mass filter (quadrupole) requires no periodic maintenance. In general, the mass filter should never be disturbed. In the event of extreme contamination, it can be cleaned, but such cleaning should only be done by a trained Agilent Technologies service representative. The HED ceramic must never be touched.

---

**CAUTION**

---

Incorrect handling or cleaning of the mass filter can damage it and have a serious, negative effect on instrument performance.  
Do not touch the HED ceramic insulator.

***More information is available***

If you need more information about the locations or functions of analyzer components, refer to Chapter 10, *Analyzer*, on page 297.

Most of the procedures in this chapter are illustrated with video clips in the 5973N MSD Maintenance CD-ROM.

**To remove the ion source**

---

## To remove the ion source

*Materials needed:* Gloves, clean, lint-free  
    large (8650-0030)  
    small (8650-0029)  
Pliers, long-nose (8710-1094)

**1 Vent the MSD. See page 54.**

**2 Open the analyzer chamber. See page 56.**

Make sure you use an anti-static wrist strap and take other anti-static precautions before touching analyzer components.

**3 Disconnect the seven wires from the ion source.**

Do not bend the wires any more than necessary.

---

**CAUTION**

---

Pull on the connectors, not on the wires.

**4 Disconnect the wires for the ion source heater and temperature sensor from the feedthrough board.**

**5 Remove the thumbscrews that hold the ion source in place.**

**6 Pull the ion source out of the source radiator.**

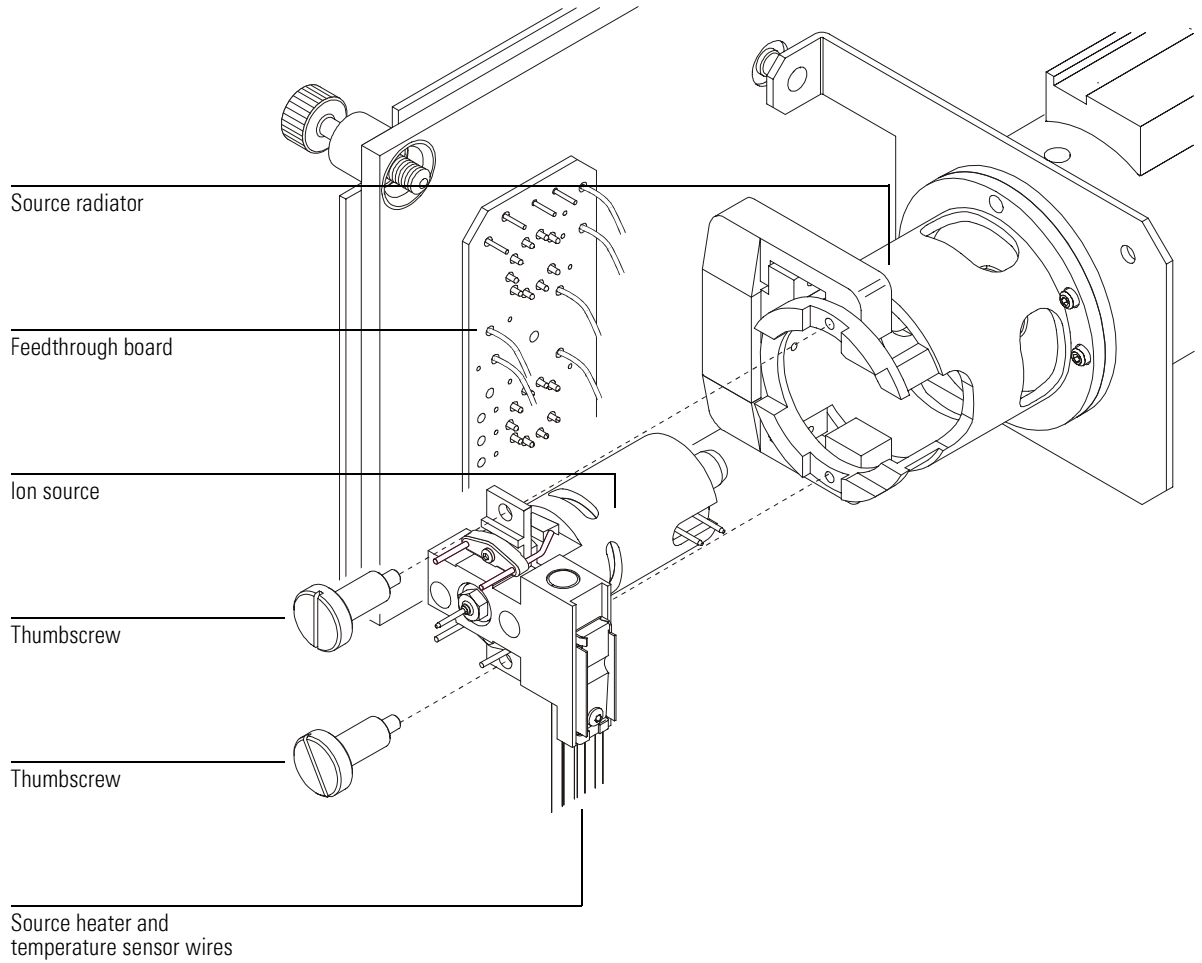
---

**WARNING**

---

**The analyzer operates at high temperatures. Do not touch any part until you are sure it is cool.**

**To remove the ion source**



## To disassemble the ion source

*Materials needed:*

Gloves, clean, lint-free  
    large (8650-0030)  
    small (8650-0029)  
Hex ball driver, 1.5-mm (8710-1570)  
Hex ball driver, 2.0-mm (8710-1804)  
Hex nut driver, 5.5-mm (8710-1220)  
Wrench, open-end, 10-mm (8710-2353)

**1 Remove the ion source. See page 206.**

**2 Remove the filaments.**

**3 Separate the repeller assembly from the source body.**

The repeller assembly includes the source heater assembly, repeller, and related parts.

**4 Remove the repeller.**

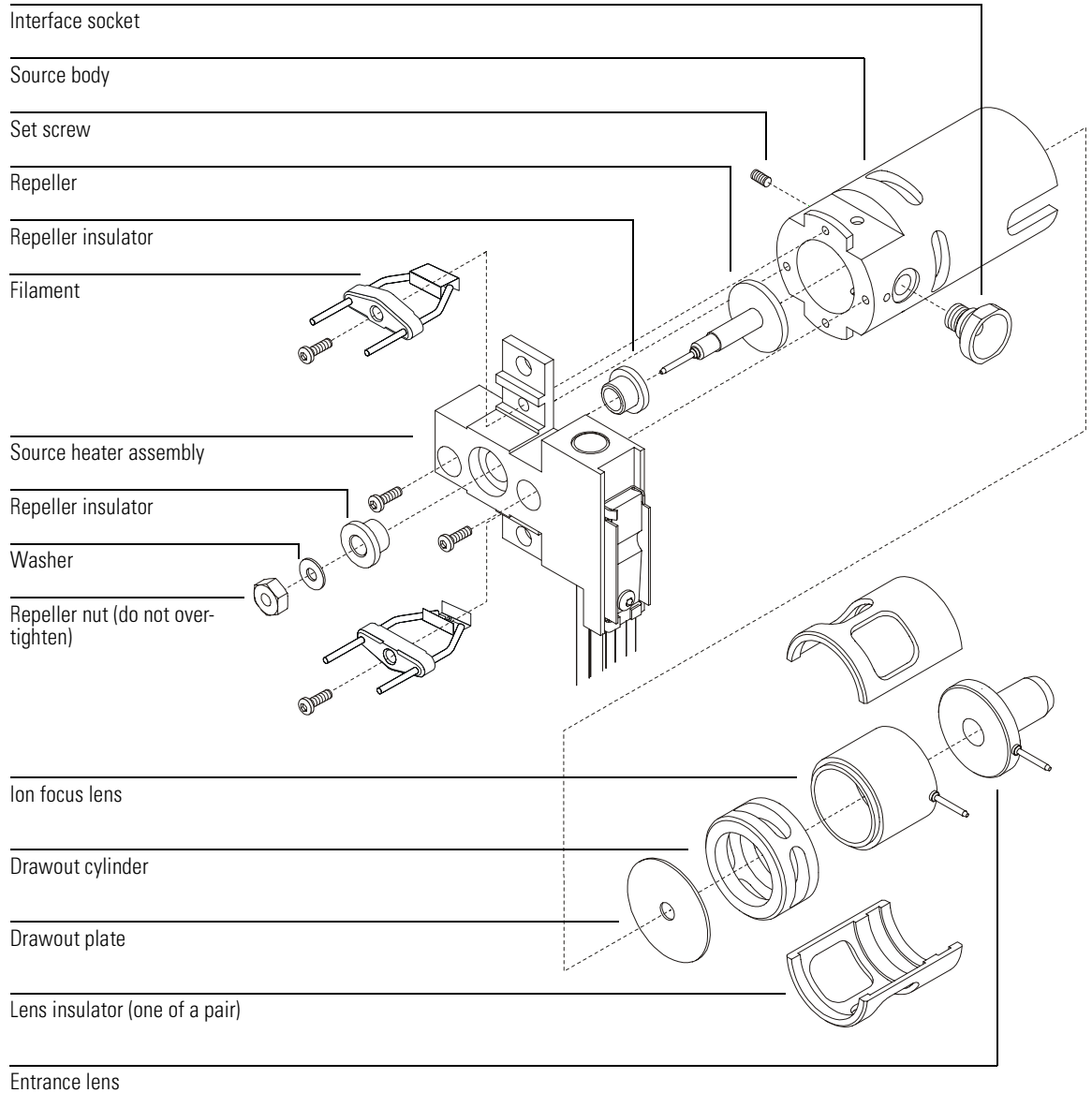
**5 Unscrew the interface socket.**

A 10-mm open-end wrench fits on the flats on the interface socket.

**6 Remove the setscrew for the lenses.**

**7 Push the lenses out of the source body.**





**To clean the ion source**

---

## To clean the ion source

*Materials needed:*

Abrasive paper (5061-5896)  
Alumina abrasive powder (8660-0791)  
Aluminum foil, clean  
Cloths, clean (05980-60051)  
Cotton swabs (5080-5400)  
Glass beakers, 500 ml  
Gloves, clean, lint-free  
    large (8650-0030)  
    small (8650-0029)  
Solvents  
    acetone, reagent-grade  
    methanol, reagent-grade  
    methylene chloride, reagent grade  
Ultrasonic bath

**1 Disassemble the ion source. See page 208.**

**2 Collect the following parts to be cleaned:**

- Repeller
- Interface socket
- Source body
- Drawout plate
- Drawout cylinder
- Ion focus lens
- Entrance lens

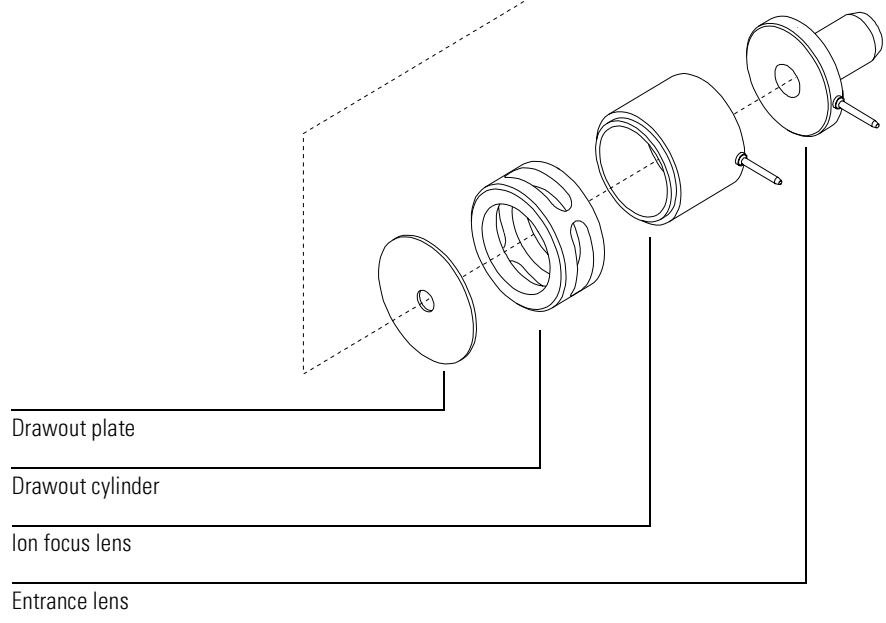
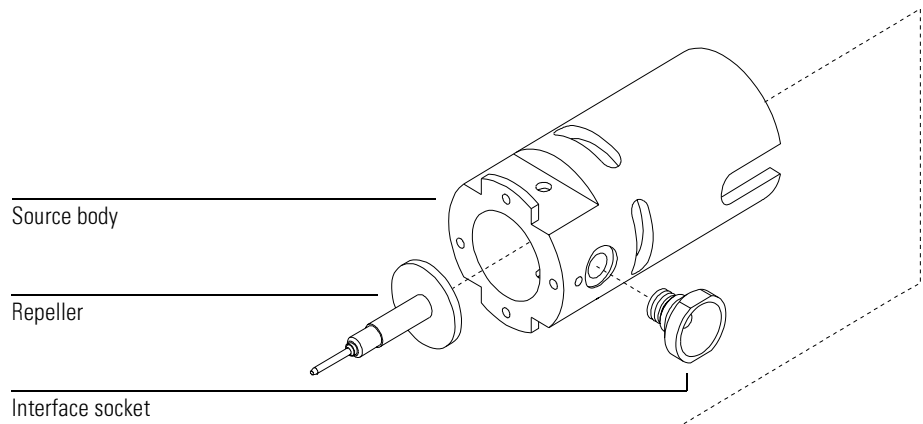
These are the parts that contact the sample or ion beam. The other parts normally should not require cleaning.

---

**CAUTION**

---

If insulators are dirty, clean them with a cotton swab dampened with reagent-grade methanol. If that does not clean the insulators, replace them. Do not abrasively or ultrasonically clean the insulators.



## 6 Maintaining the MSD

### To clean the ion source

#### Major contamination

In the event of a diffusion pump backstream or other major contamination, the other source components must be cleaned (ultrasonically but not abrasively) or replaced.

---

### CAUTION

---

The filaments, source heater assembly, and insulators cannot be cleaned ultrasonically. Replace these components if major contamination occurs.

#### 3 Abrasively clean the surfaces that contact the sample or ion beam.

Use an abrasive slurry of alumina powder and reagent-grade methanol on a cotton swab. Use enough force to remove all discolorations. Polishing the parts is not necessary; small scratches will not harm performance. Also abrasively clean the discolorations where electrons from the filaments enter the source body.

#### 4 Rinse away all abrasive residue with reagent-grade methanol.

Make sure *all* abrasive residue is rinsed away *before* ultrasonic cleaning. If the methanol becomes cloudy or contains visible particles, rinse again.

#### 5 Separate the parts that were abrasively cleaned from the parts that were not abrasively cleaned.

#### 6 Ultrasonically clean the parts for 15 minutes in each of the following solvents:

Ultrasonically clean each group of parts separately.

- Methylene chloride (reagent-grade)
- Acetone (reagent-grade)
- Methanol (reagent-grade)

---

### WARNING

---

**All of these solvents are hazardous. Work in a fume hood and take all appropriate precautions.**

#### 7 Place the parts in a clean beaker. *Loosely* cover the beaker with clean aluminum foil (dull side down).

#### 8 Dry the cleaned parts in an oven at 100° – 150°C for 30 minutes.

---

### WARNING

---

**Let these parts cool before you handle them.**

**To clean the ion source**

---

**N O T E**

---

Take care to avoid recontaminating cleaned and dried parts. Put on new, clean gloves before handling the parts. Do not set the cleaned parts on a dirty surface. Set them only on clean, lint-free cloths.

**To reassemble the ion source**

---

## To reassemble the ion source

*Materials needed:*

Gloves, clean, lint-free  
    large (8650-0030)  
    small (8650-0029)  
Hex ball driver, 1.5-mm (8710-1570)  
Hex ball driver, 2.0-mm (8710-1804)  
Hex nut driver, 5.5-mm (8710-1220)  
Wrench, open-end, 10-mm (8710-2353)

- 1 Slide the drawout plate and the drawout cylinder into the source body.**
- 2 Assemble the ion focus lens, entrance lens, and lens insulators.**
- 3 Slide the assembled parts into the source body.**
- 4 Install the setscrew that holds the lenses in place.**
- 5 Reinstall the repeller, repeller insulators, washer, and repeller nut into the source heater assembly.**

The resulting assembly is called the repeller assembly.

---

**CAUTION**

---

Do not overtighten the repeller nut, or the ceramic repeller insulators will break when the source heats up. The nut should only be “finger-tight”.

- 6 Reconnect the repeller assembly to the source body.**

The repeller assembly includes the source heater assembly, repeller, and related parts.

- 7 Reinstall the filaments.**
- 8 Reinstall the interface socket.**

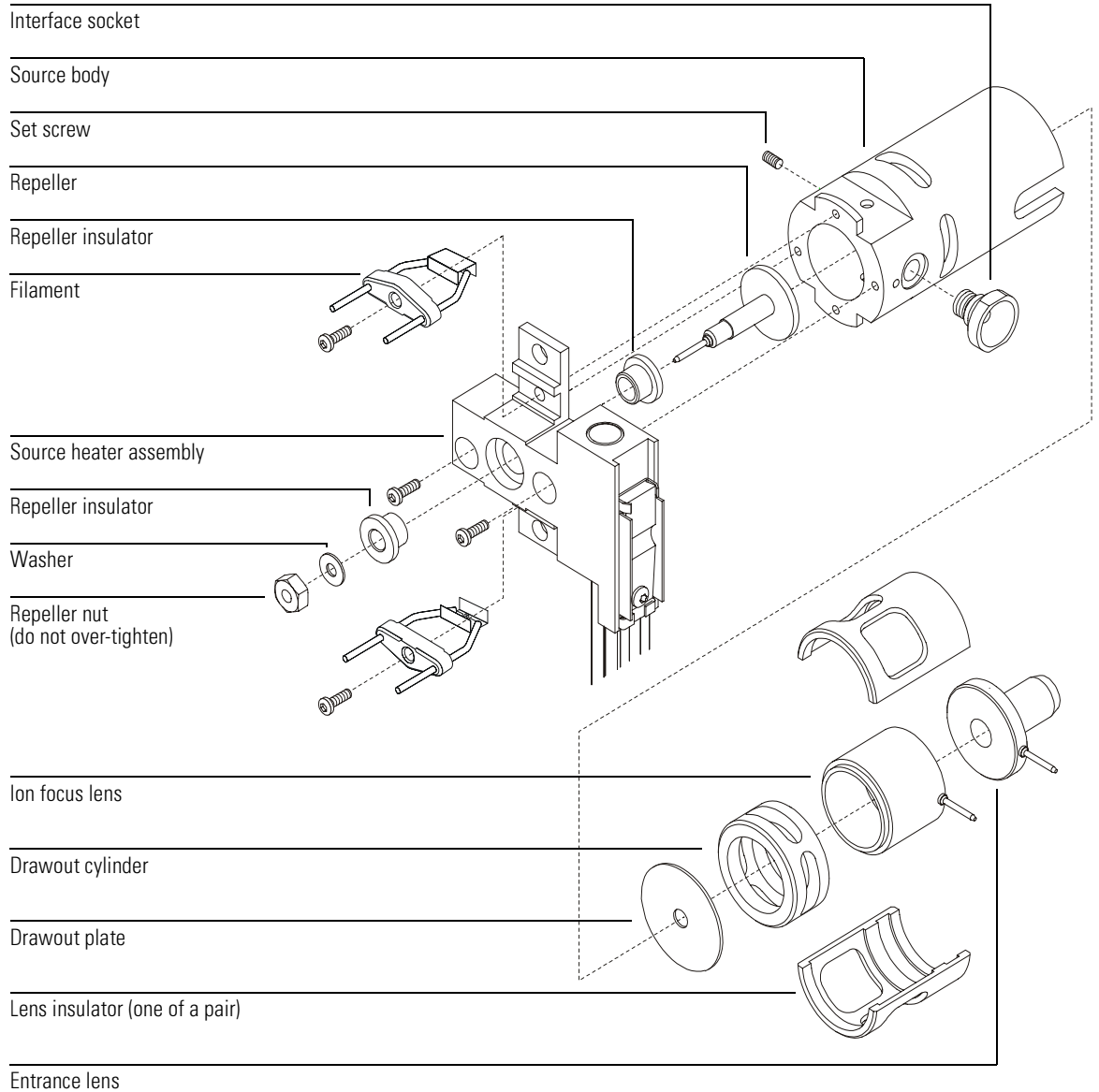
---

**CAUTION**

---

Do not overtighten the interface socket. Overtightening could strip the threads.

---



**To reinstall the ion source****To reinstall the ion source***Materials needed:*

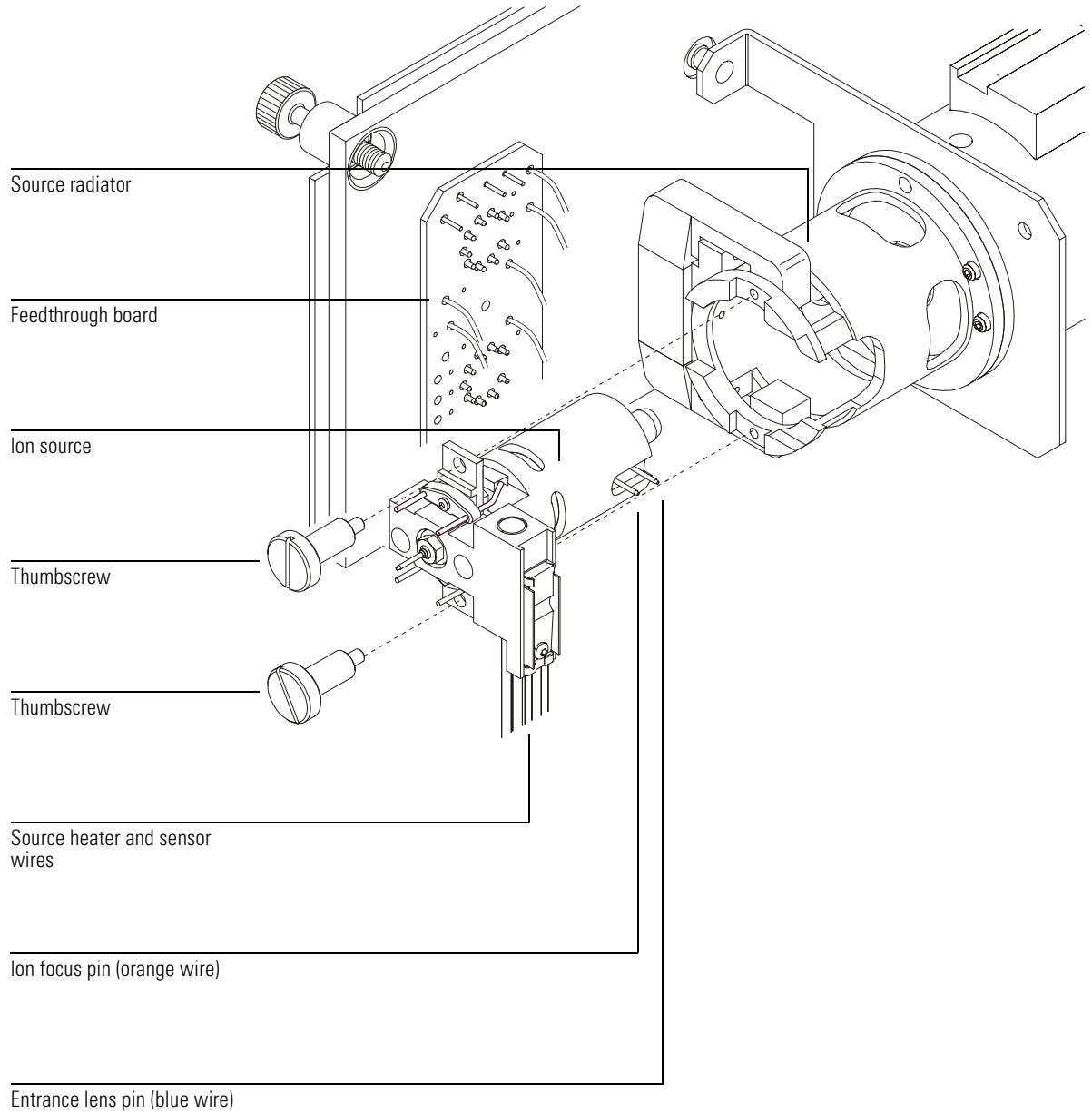
Gloves, clean, lint-free  
 large (8650-0030)  
 small (8650-0029)  
 Pliers, long-nose (8710-1094)

- 1 Slide the ion source into the source radiator.**
- 2 Install and hand tighten the source thumbscrews.**  
Do not overtighten the thumbscrews.
- 3 Reconnect the 7 wires to the appropriate pins on the ion source.**

<b>Wire color</b>	<b>Connects to</b>	<b>Number of leads</b>
Blue	Entrance lens	1
Orange	Ion focus	1
White	Filament 1 (top filament)	2
Red	Repeller	1
Black	Filament 2 (bottom filament)	2

- 4 Reconnect the source heater and temperature sensor wires to the pins on the feedthrough board.**
- 5 Close the analyzer chamber. See page 58.**
- 6 Pump down the MSD. See page 60.**





**To remove a filament**

---

**To remove a filament**

*Materials needed:*

Gloves, clean, lint-free  
    large (8650-0030)  
    small (8650-0029)  
Hex ball driver, 1.5-mm (8710-1570)

- 1 Vent the MSD. See page 54.**
- 2 Open the analyzer chamber. See page 56.**
- 3 Remove the ion source. See page 206.**
- 4 Remove the filament(s) to be replaced.**

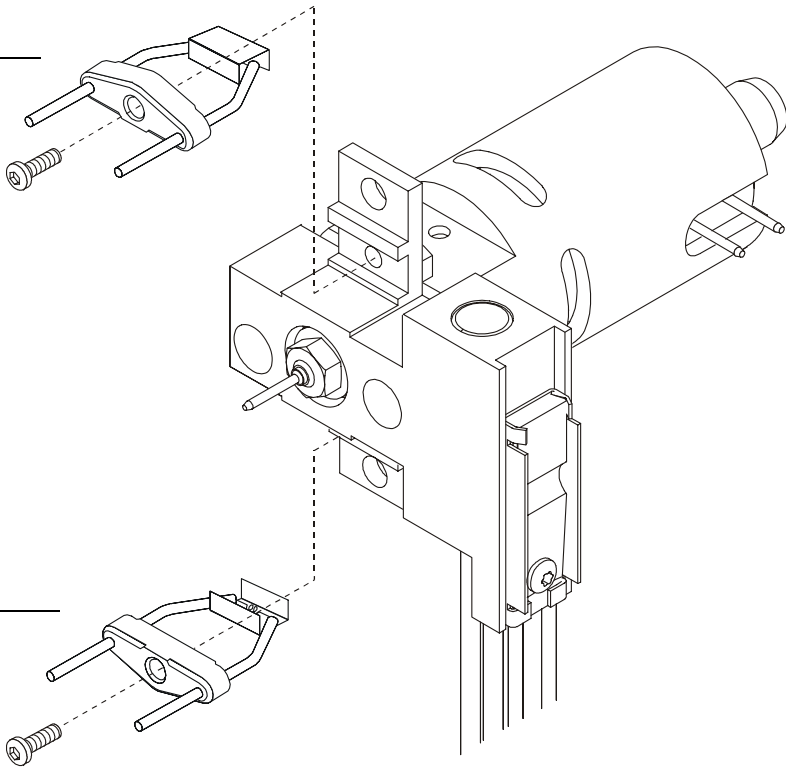
---

**WARNING**

---

**The analyzer operates at high temperatures. Do not touch any part until you are sure it is cool.**

Filament 1



Filament 2

**To reinstall a filament**

---

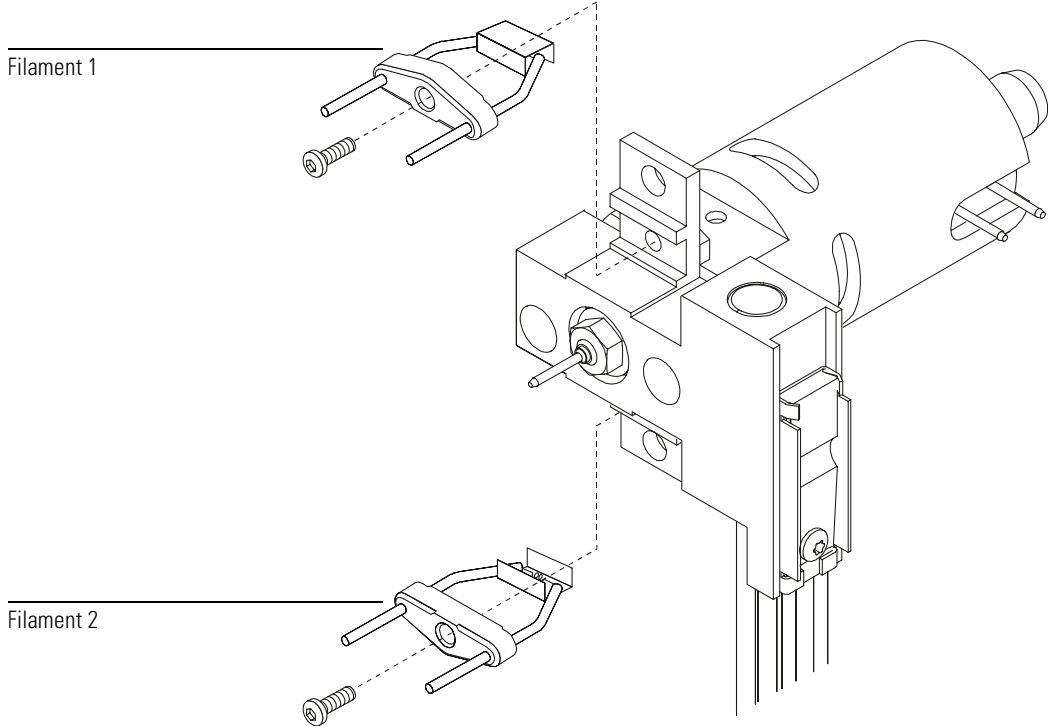
## To reinstall a filament

*Materials needed:*

- Filament assembly (G1099-60053)
- Gloves, clean, lint-free
  - large (8650-0030)
  - small (8650-0029)
- Hex ball driver, 1.5-mm (8710-1570)

- 1 Install the new filament.**
- 2 Reinstall the ion source. See page 216.**
- 3 Close the analyzer chamber. See page 58.**
- 4 Pump down the MSD. See page 60.**
- 5 Autotune the MSD. See page 50.**
- 6 In the Edit Parameters dialog box (Instrument/Edit MS Tune Parameters), select the other filament.**
- 7 Autotune the MSD again.**
- 8 Select and use the filament that give the best results.**

If you decide to use the first filament, run Autotune again to make sure the tune parameters are compatible with the filament.
- 9 Select Save Tune Parameters from the File menu.**



**To remove the heater and sensor from the ion source**

---

**To remove the heater and sensor from the ion source**

*Materials needed:*

Gloves, clean, lint-free  
    large (8650-0030)  
    small (8650-0029)  
Hex ball driver, 1.5-mm (8710-1570)  
Hex ball driver, 2.0-mm (8710-1804)  
Hex nut driver, 5.5-mm (8710-1220)

**1 Vent the MSD. See page 54.**

**2 Open the analyzer chamber. See page 56.**

**3 Remove the ion source from the source radiator. See page 206.**

**4 Remove the filaments.**

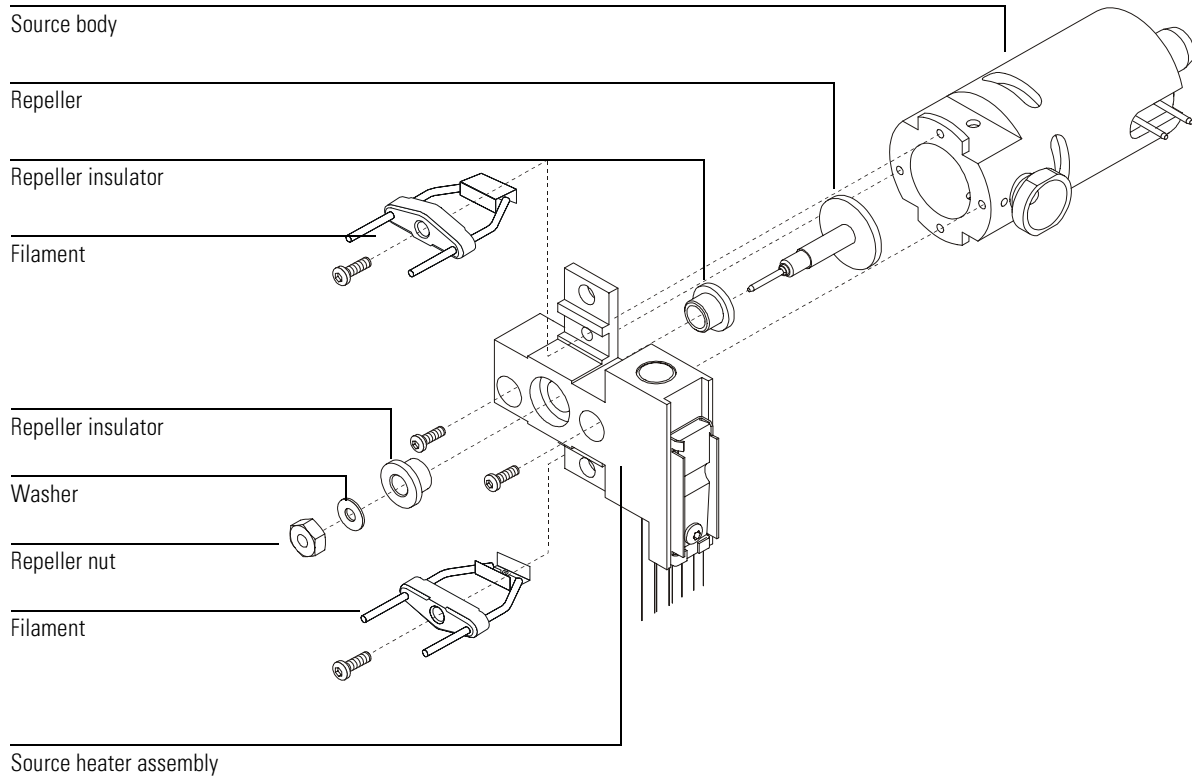
**5 Remove the repeller assembly.**

The repeller assembly includes the source heater assembly, repeller, and related parts.

**6 Remove the repeller nut, washer, repeller insulators, and repeller.**

You do not need to remove the heater and temperature sensor from the heater block. The new source heater assembly includes all three parts already assembled.

To remove the heater and sensor from the ion source



**To reinstall the heater and sensor in the ion source**

---

**To reinstall the heater and sensor in the ion source**

*Materials needed:*

Gloves, clean, lint-free  
    large (8650-0030)  
    small (8650-0029)  
Hex ball driver, 1.5-mm (8710-1570)  
Hex ball driver, 2.0-mm (8710-1804)  
Hex nut driver, 5.5-mm (8710-1220)  
Source heater assembly (G1099-60177)

**1 Unpack the new source heater assembly.**

The heater, temperature sensor, and heater block are already assembled.

**2 Reinstall the repeller, repeller insulators, washer, and repeller nut.**

The resulting assembly is called the repeller assembly.

---

**CAUTION**

---

Do not overtighten the repeller nut, or the ceramic repeller insulators will break when the source heats up. The nut should only be "finger-tight".

**3 Connect the repeller assembly to the source body.**

**4 Reinstall the filaments.**

**5 Reinstall the ion source in the source radiator. See page 216.**

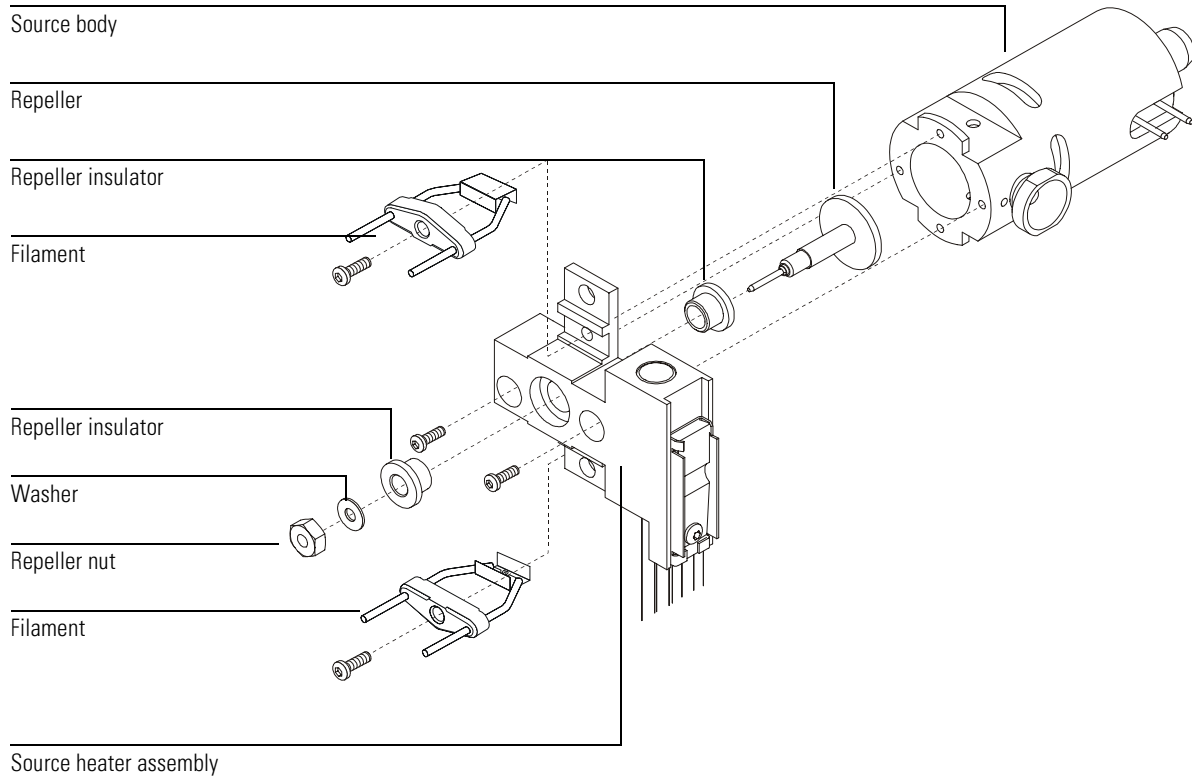
Do not forget to reconnect the wires from the feedthrough board to the ion source.  
Do not forget to reconnect the heater and temperature sensor wires to the feedthrough board.

**6 Close the analyzer chamber. See page 58.**

**7 Pump down the MSD. See page 60.**



To reinstall the heater and sensor in the ion source



**To remove the heater and sensor from the mass filter**

---

**To remove the heater and sensor from the mass filter**

*Materials needed:*

Gloves, clean, lint-free  
    large (8650-0030)  
    small (8650-0029)  
Hex ball driver, 1.5-mm (8710-1570)  
Hex ball driver, 2.0-mm (8710-1804)

- 1 Vent the MSD. See page 54.**
- 2 Open the analyzer chamber. See page 56.**
- 3 Disconnect the mass filter heater and temperature sensor wires from the feedthrough board.**
- 4 Remove the mass filter heater assembly from the mass filter radiator.**

---

**CAUTION**

---

Do not touch the mass filter contact leads. This could cause ESD damage to the side board.

To remove the heater and sensor from the mass filter

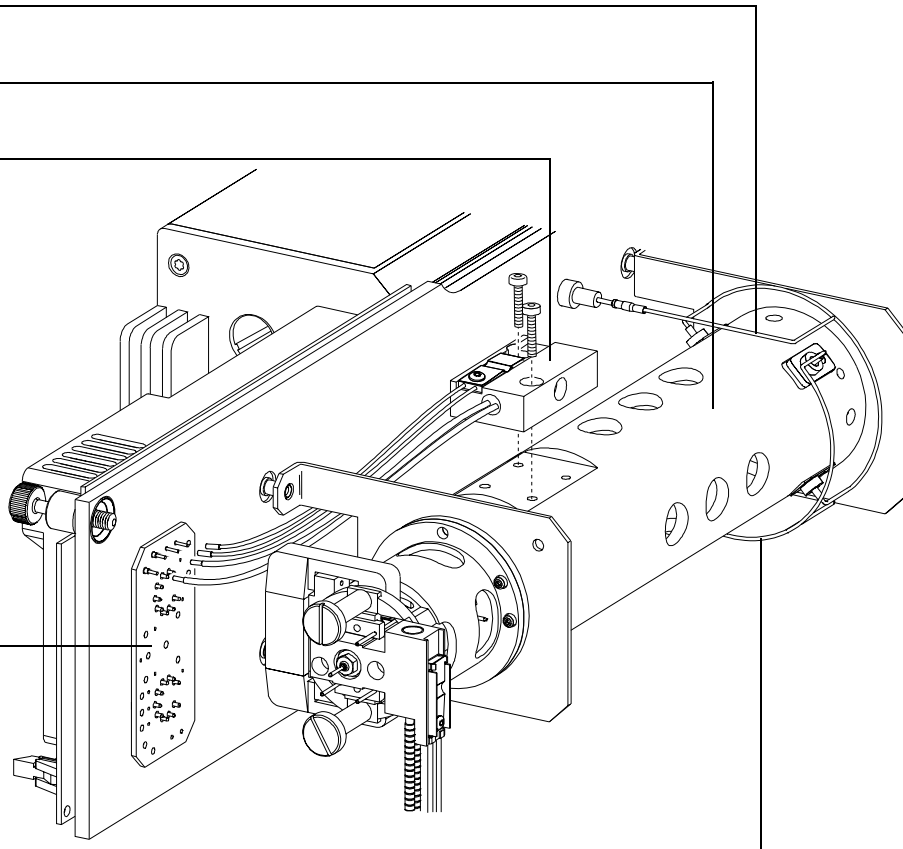
Mass filter contact lead –  
do not touch!

Mass filter radiator

Mass filter heater assembly

Feedthrough board

Mass filter contact lead –  
do not touch!



**To reinstall the heater and sensor in the mass filter**

---

## To reinstall the heater and sensor in the mass filter

*Materials needed:*

Gloves, clean, lint-free  
    large (8650-0030)  
    small (8650-0029)  
Hex ball driver, 1.5-mm (8710-1570)  
Hex ball driver, 2.0-mm (8710-1804)  
Mass filter heater assembly (G1099-60172)

- 1 Unpack the new mass filter heater assembly.**  
The heater, temperature sensor, and heater block are already assembled.
- 2 Install the heater assembly on top of the mass filter radiator.**
- 3 Connect the heater and temperature sensor wires to the feedthrough board.**
- 4 Close the analyzer chamber. See page 58.**
- 5 Pump down the MSD. See page 60.**

---

**CAUTION**

---

Do not touch the mass filter contact leads. This could cause ESD damage to the side board.

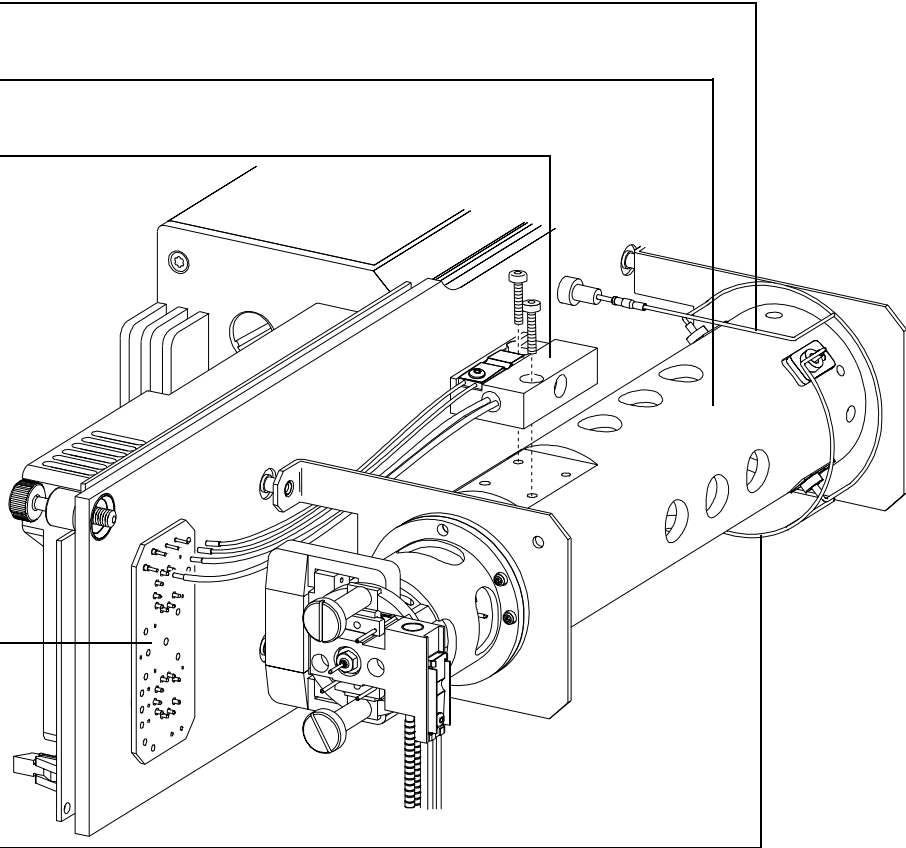
To reinstall the heater and sensor in the mass filter

Mass filter contact lead –  
do not touch!

Mass filter radiator

Mass filter heater assembly

Feedthrough board



Mass filter contact lead –  
do not touch!

**To replace the electron multiplier horn**

---

## To replace the electron multiplier horn

*Materials needed:* Electron multiplier horn (05971-80103)  
Gloves, clean, lint-free  
    large (8650-0030)  
    small (8650-0029)

**1 Vent the MSD. See page 54.**

**2 Open the analyzer chamber. See page 56.**

**3 Open the retaining clip.**

Pinch the two arms of the clip together and swing the clip down.

**4 Remove the electron multiplier horn.**

**5 Install the new electron multiplier horn.**

**6 Close the retaining clip.**

The signal pin on the horn should rest *on the outside* of the loop in the contact strip. **Do not** put the signal pin on the inside of the loop in the contact strip. Incorrect installation will result in poor sensitivity or no signal.

**7 Close the analyzer chamber. See page 58.**

**8 Pump down the MSD. See page 60.**

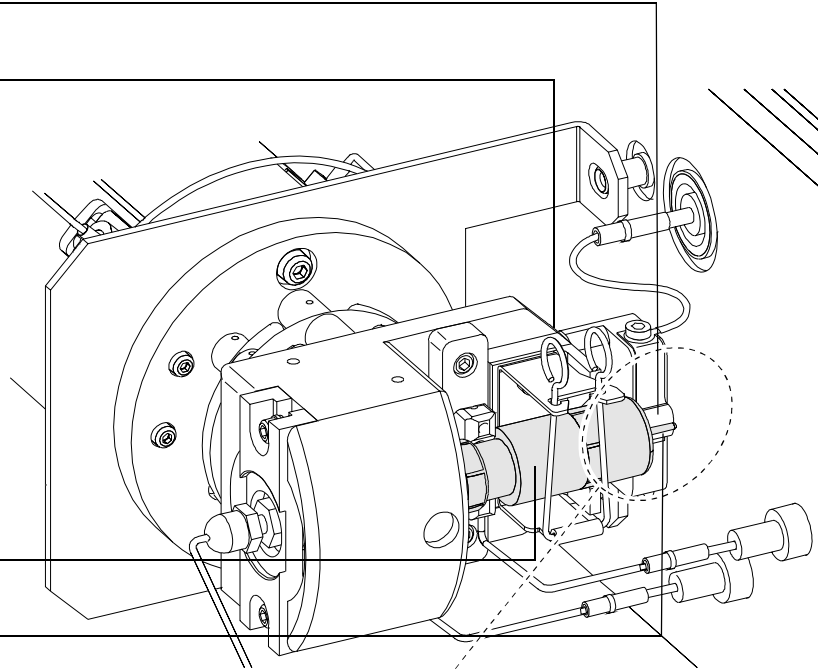
To replace the electron multiplier horn

Contact strip

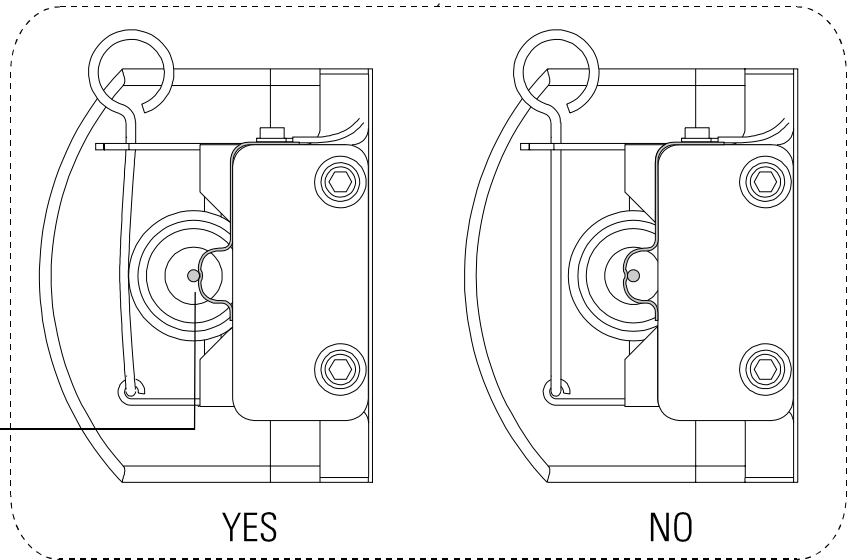
Retaining clip

Electron multiplier horn

Signal pin



Signal pin



---

# Maintaining the GC/MSD interface

## ***The GC/MSD interface requires no periodic maintenance***

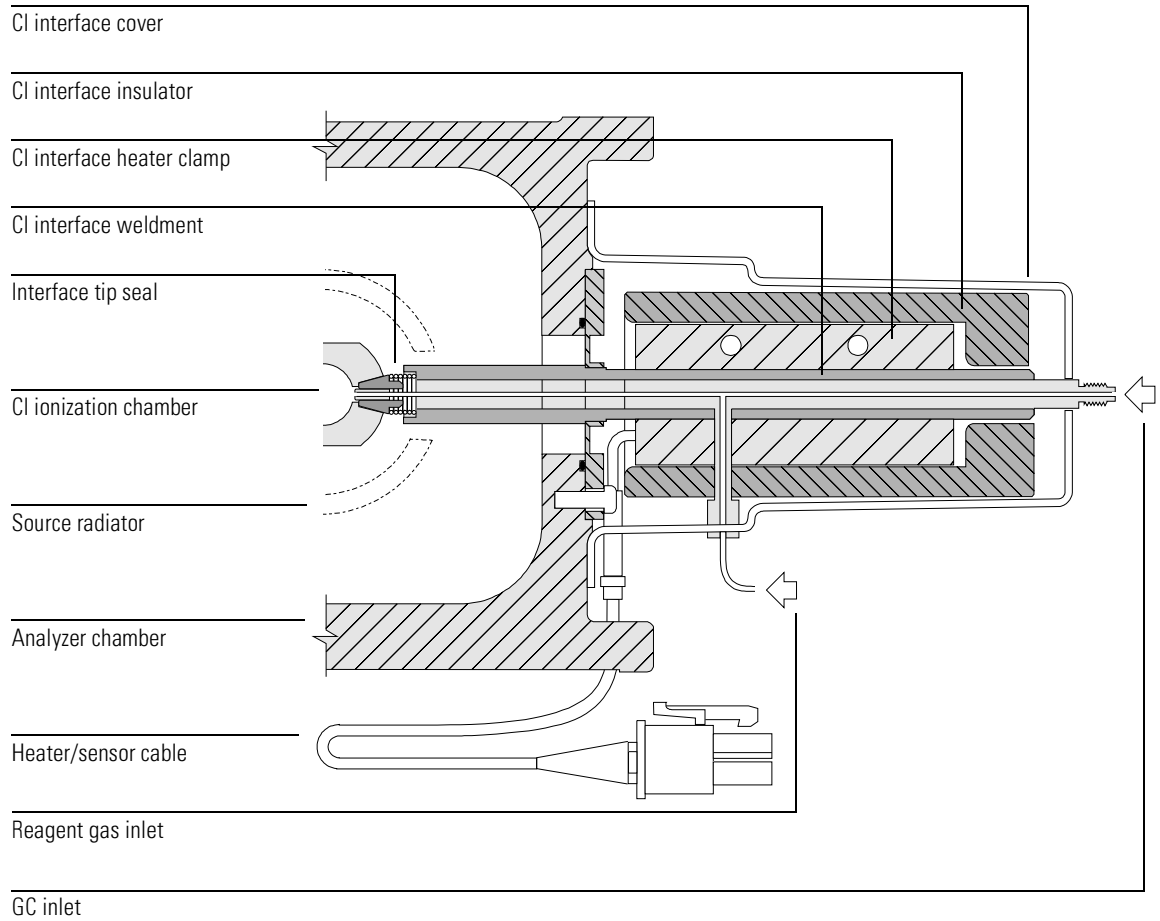
Rarely, the heater cartridge in the GC/MSD interface fails. In those cases, it is necessary to replace the heater and sensor. This section contains procedures for removing the heater and sensor and installing new ones.

## ***More information is available***

If you need more information about the locations or functions of GC/MSD interface components, refer to *GC/MSD Interface*, on page 291.

Most of the procedures in this chapter are illustrated with video clips in the 5973N MSD Maintenance CD-ROM.





**To remove the GC/MSD interface heater and sensor**

---

## To remove the GC/MSD interface heater and sensor

*Materials needed:* Screwdriver, Torx T-15 (8710-1622)  
Hex driver, 1.5 mm (8710-1570)

**1 Vent the MSD. See page 54.**

Make sure you turn off the GC/MSD interface heater. This heater is controlled and powered by the GC.

**2 Separate the MSD from the GC. See page 171.**

**3 Remove the cover from the GC/MSD interface.**

---

**WARNING**

**The GC/MSD interface operates a very high temperatures. It is also well insulated. Make sure the interface is cool *before* you touch it.**

---

**4 Slide the insulation off of the GC/MSD interface.**

**5 Loosen the two heater sleeve screws.**

**6 Slide the heater sleeve off of the GC/MSD interface.**

It may be necessary to *gently* pry open the slot in the heater sleeve to loosen the heater sleeve from the interface.

**7 Loosen the setscrew and remove the heater and temperature sensor from the heater sleeve.**

Heat and oxidation often result in a heater, or less frequently a temperature sensor, being “welded” inside the heater sleeve. The holes for the heater and sensor pass all the way through the heater sleeve. A rod can be inserted to drive the stuck part out. However, to function correctly the heater and sensor must have perfect contact with their holes. If a heater or sensor is difficult to remove, the holes will probably be damaged enough that the heater sleeve should be replaced. Polishing the holes is not an acceptable solution since it will enlarge the holes.

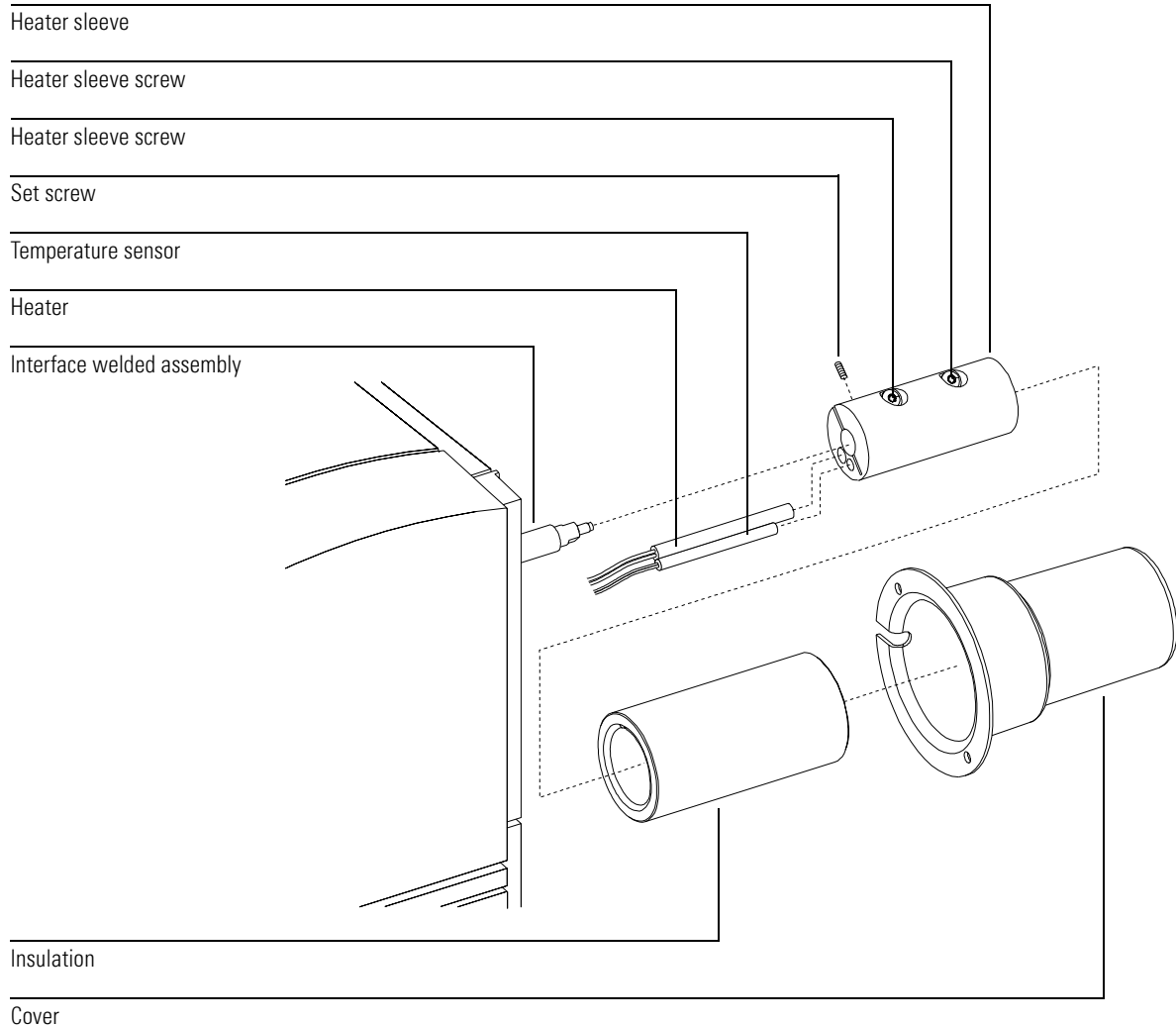
---

**CAUTION**

Installing a new heater and sensor in a damaged heater sleeve will result in poor performance of the heated zone and could reduce the lifetime of the new parts.

---

To remove the GC/MSD interface heater and sensor



**To reinstall the GC/MSD interface heater and sensor**

---

## To reinstall the GC/MSD interface heater and sensor

*Materials needed:*

GC/MSD interface heater assembly (G1099-60107)  
Heater sleeve (G1099-20210) – replace the old sleeve if it is damaged  
Screwdriver, Torx T-15 (8710-1622)  
Hex driver, 1.5 mm (8710-1570)

- 1 Slide the new heater and temperature sensor into the heater sleeve.**
- 2 Reinstall the setscrew.**
- 3 Slide the heater sleeve onto the GC/MSD interface.**  
Align the heater sleeve so the screws are on top. Tighten the screws evenly.
- 4 Slide the insulation onto the GC/MSD interface.**

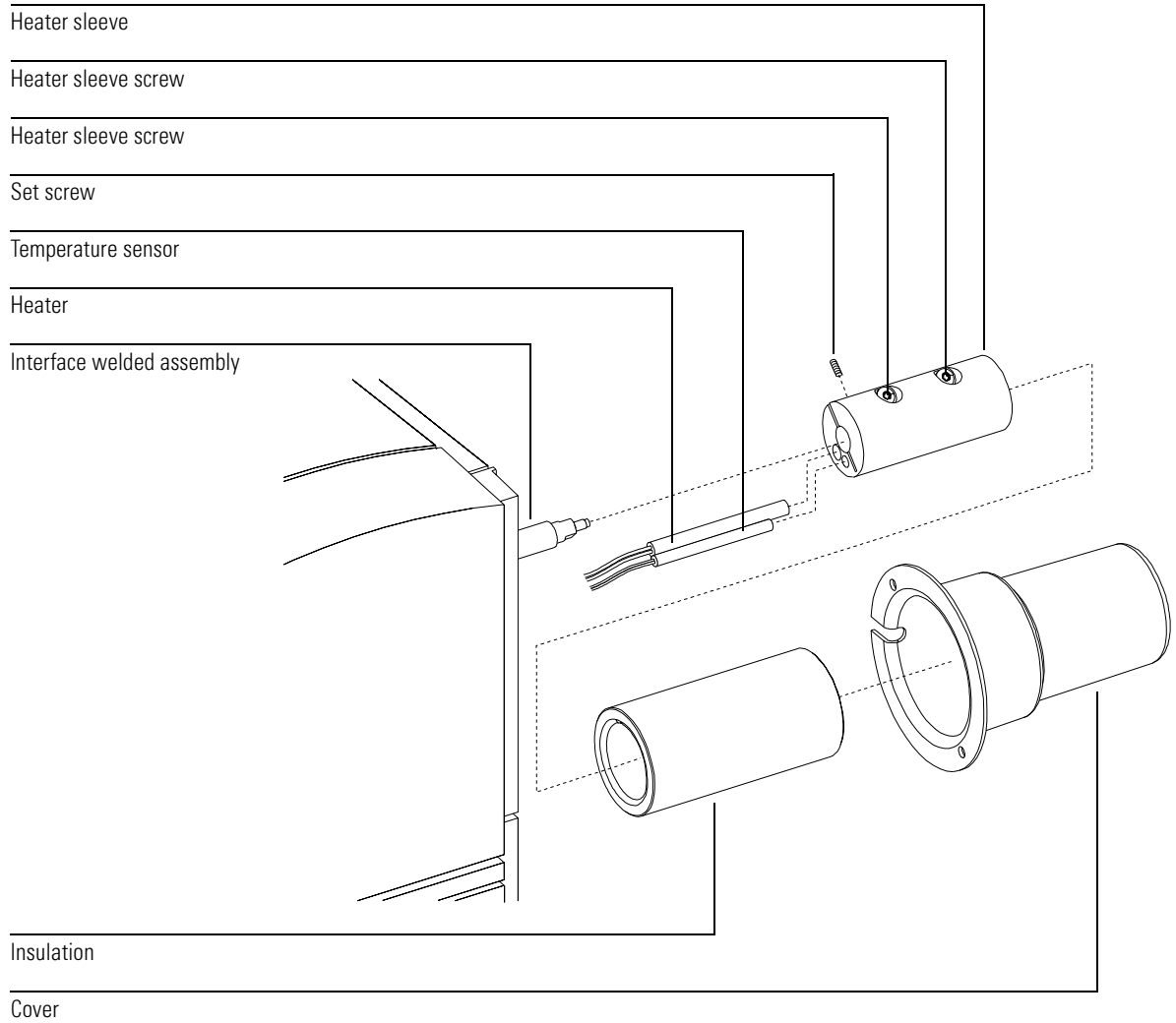
---

**CAUTION**

There is a shallow groove along the inner surface of the insulation. This groove *must* line up with the heads of the screws in the heater sleeve. If it does not, you can crack or otherwise damage the insulation.

- 5 Reinstall the GC/MSD interface cover.**  
Make sure the wires from the heater and sensor pass through the cutout in the interface cover.
- 6 Reconnect the MSD to the GC. See page 179.**
- 7 Make sure you reconnect the GC/MSD interface cable to the GC. Make sure you reinstall the capillary column.**
- 8 Pump down the MSD. See page 60.**
- 9 Turn on the GC.**  
Re-establish appropriate temperature setpoints for the GC/MSD interface and GC oven.

To reinstall the GC/MSD interface heater and sensor



## Maintaining the electronics

### ***The MSD electronics do not require any scheduled maintenance***

None of the electronic components of the MSD need to be replaced on a regular schedule. None of the electronic components in the MSD need to be adjusted or calibrated on a regular schedule. Avoid unnecessary handling of the MSD electronics.

### ***Very few of the electronic components are operator serviceable***

The primary fuses can be replaced by the operator. The RF coils can be adjusted by the operator. All other maintenance of the electronics should be performed by your Agilent Technologies service representative.

---

**WARNING**

---

**Improper use of these procedures could create a serious safety hazard. Improper use of these procedures could also result in serious damage to, or incorrect operation of, the MSD.**

---

**WARNING**

---

**Vent the MSD and disconnect its power cord before performing any of these procedures *except* adjusting the RF coils.**

### ***Electrostatic discharge is a threat to the MSD electronics during maintenance***

All of the printed circuit boards in the MSD contain components that can be damaged by electrostatic discharge (ESD). Do not handle or touch these boards unless absolutely necessary. In addition, wires, contacts, and cables can conduct ESD to the printed circuit boards to which they are connected. This is especially true of the mass filter (quadrupole) contact wires which can carry ESD to sensitive components on the side board. ESD damage may not cause immediate failure but it will gradually degrade the performance and stability of your MSD.

When you work on or near printed circuit boards, or when you work on components with wires, contacts, or cables connected to printed circuit boards, always use a grounded anti-static wrist strap and take other anti-static precautions. The wrist strap should be connected to a known good Earth ground. If that is not possible, it should be connected to a conductive (metal) part of the assembly being worked on, but **not** to electronic components, exposed wires or traces, or pins on connectors.

Take extra precautions, such as a grounded, anti-static mat, if you must work on components or assemblies that have been removed from the MSD. This includes the analyzer.

---

**CAUTION**

---

In order to be effective, an anti-static wrist strap must fit snugly (not tight). A loose strap provides little or no protection.

---

**CAUTION**

---

Anti-static precautions are not 100% effective. Handle electronic circuit boards as little as possible, and then only by the edges. Never touch the components, exposed traces, or pins on connectors and cables.

***More information is available***

If you need more information about the functions of electronic components, refer to Chapter 8, *Electronics*, on page 317.

Most of the procedures in this chapter are illustrated with video clips in the 5973N MSD Maintenance CD-ROM.

**To adjust the RF coils**

---

## To adjust the RF coils

*Materials needed:* Screwdriver, flat-blade, large (8730-0002)

**1 Make sure the MSD is at thermal equilibrium.**

It takes at least 2 hours *after* all heated zones have reached their setpoints for the MSD to reach thermal equilibrium.

**2 Remove the analyzer cover See page 52.**

---

**WARNING**

**Do not remove the side board cover, the RF cover, or any other covers. Dangerous voltages are present under these covers.**

**3 Make sure the RF cover is secure and no screws are missing.**

A loose RF cover or missing screw can *significantly* affect coil adjustment.

**4 In the Diagnostics/Vacuum Control view, select Set RFPA from the Diagnostics menu.**

**5 Enter an amu value of 100.**

**6 Slowly turn the RF coil adjustment screws to minimize the voltage displayed.**

Turn the adjustment screws alternately. Turn each screw only a little bit at a time. Keep the screws at *equal* extension. The minimum voltage is typically between 70 and 100 mV.

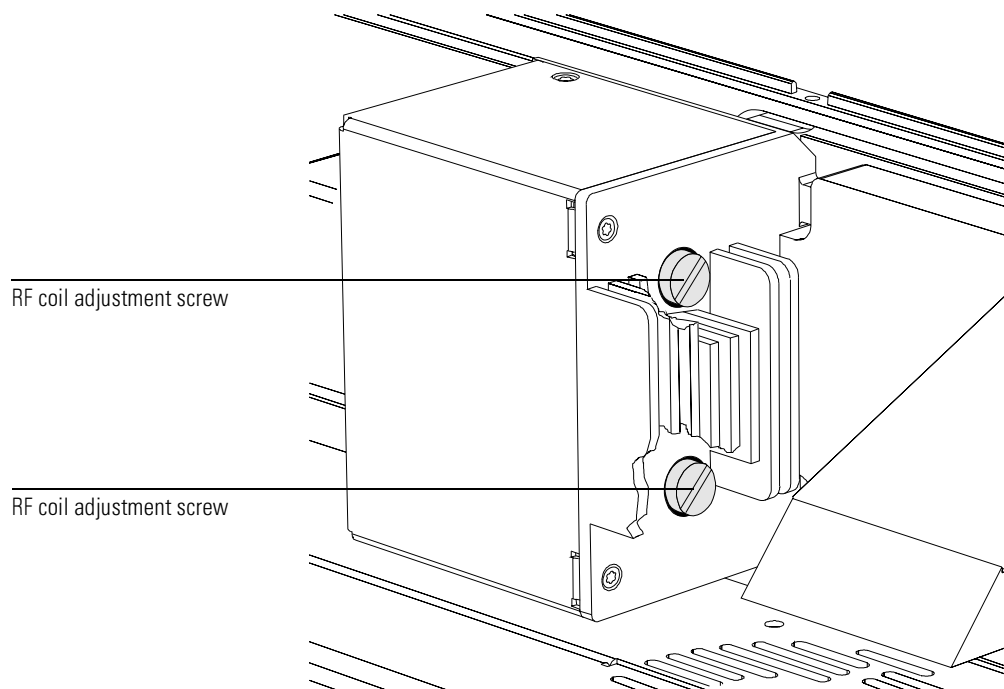
---

**CAUTION**

Do not use a coin to adjust the RF coils. If you drop it, it could fall into the electronics fan and cause significant damage.

**7 When the voltage is minimized, click the Stop button.**



**To adjust the RF coils****8 Repeat steps 4 through 7 for 650 amu.**

The minimum voltage is typically between 500 and 650 mV.

**9 Exit the Set RFPA program.****10 Select MS OFF from the Diagnostics menu.****11 Reinstall the analyzer cover.****12 Tune the MSD. See page 50.**

**To replace the primary fuses**

---

## To replace the primary fuses

*Materials needed:* Fuse, T8 A, 250 V (2110-0969) – 2 required  
Screwdriver, flat-blade (8730-0002)

The most likely cause of failure of the primary fuses is a problem with the foreline pump. If the primary fuses in your MSD fail, check the foreline pump.

**1 Vent the MSD and unplug the power cord from the electrical outlet.**

If one of the primary fuses has failed, the MSD will already be off, but for safety you should switch off the MSD and unplug the power cord. It is not necessary to allow air into the analyzer chamber.

---

**WARNING**

---

**Never replace the primary fuses while the MSD is connected to a power source.**

---

**WARNING**

---

**If you are using hydrogen as a GC carrier gas, a power failure may allow it to accumulate in the analyzer chamber. In that case, further precautions are required. See the *Hydrogen Carrier Gas Safety Guide* (5995-5398).**

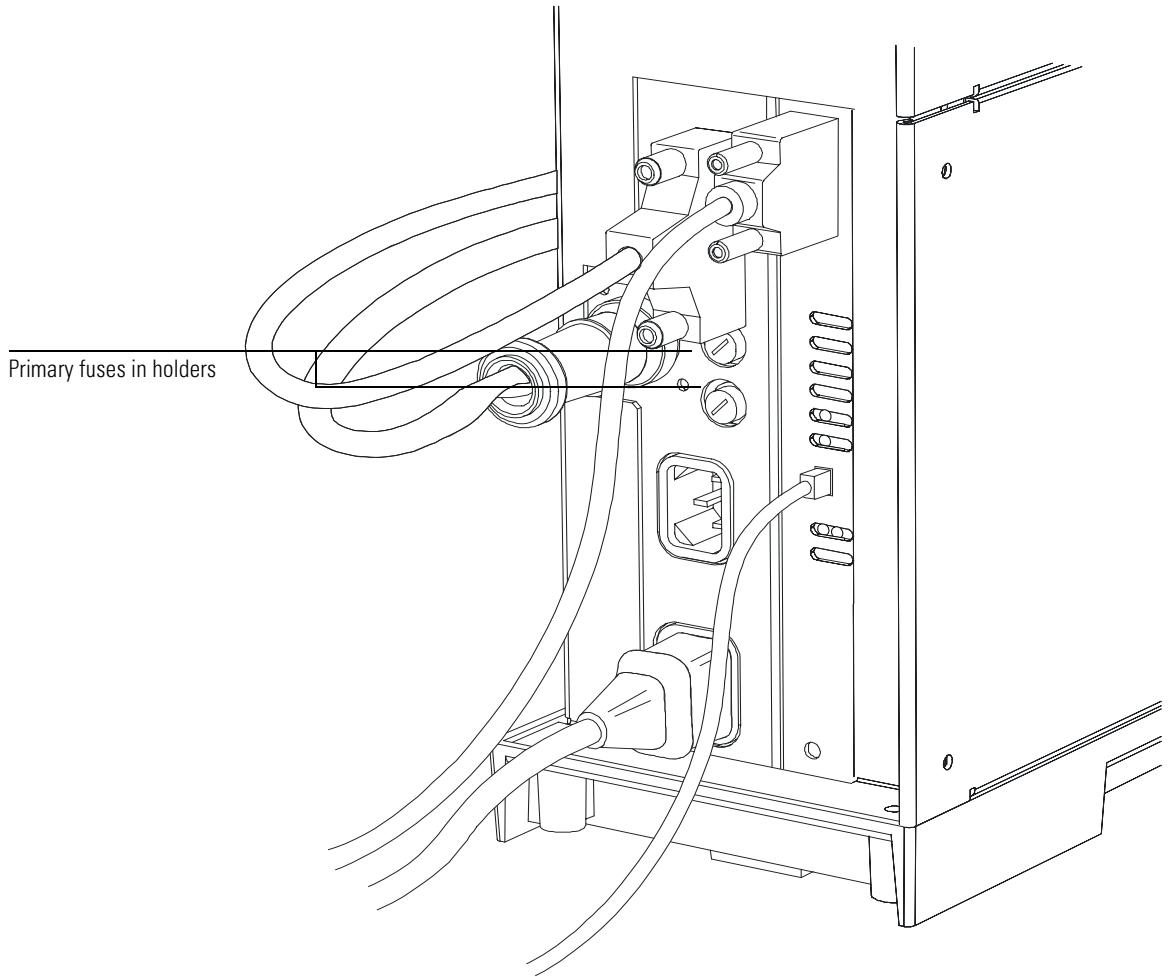
**2 Turn one of the fuse holders counterclockwise until it pops out.**

The fuse holders are spring loaded.

**3 Remove the old fuse from the fuse holder.**

**4 Install a new fuse in the fuse holder.**

**5 Reinstall the fuse holder.**



**6 Repeat steps 3 - 6 for the other fuse.**

Always replace both fuses.

**7 Reconnect the MSD power cord to the electrical outlet.**

**8 Pump down the MSD. See page 60.**

Always replace both fuses.



- To set up your MSD for CI operation, 247
- To install the CI ion source, 248
- To install the CI interface tip seal, 250
- To clean the CI ion source, 252
- To minimize foreline pump damage from ammonia, 254
- To replace the methane/isobutane gas purifier, 255
- To clean the reagent gas supply lines (tubing), 256
- To refill the CI calibrant vial, 257

---

## CI Maintenance

---

# CI Maintenance

This chapter describes maintenance procedures and requirements that are unique to 5973N MSDs equipped with the Chemical Ionization hardware.

## ***Maintenance videos on the multimedia manual in the 5973N User Preparation Kit***

Most of these maintenance procedures are demonstrated on the multimedia MSD Reference Collection CD-ROM. Please view these videos.

## ***CI increases the need for ion source cleaning***

The primary effect of operating the MSD in CI mode is the need for more frequent ion source cleaning. In CI operation, the ion source chamber is subject to more rapid contamination than in EI operation because of the higher source pressures required for CI.

---

## **WARNING**

---

**Always perform any maintenance procedures using hazardous solvents under a fume hood. Be sure to operate the MSD in a well-vented room.**

## ***Ammonia CI increases the need for foreline pump maintenance***

Ammonia, when used as a reagent gas, it will also change the maintenance requirements slightly. Ammonia causes the foreline pump oil to break down more quickly. Therefore, the oil in the foreline vacuum pump must be checked and replaced more frequently.

Always purge the MSD with methane after flowing ammonia.

Be sure to install the ammonia so the tank is in an upright position. This will help prevent liquid ammonia from getting into the flow module.

## To set up your MSD for CI operation

Setting up your CI MSD for operation in CI mode requires special care to avoid contamination and air leaks.

### ***General guidelines***

- Before venting in EI mode, verify that the GC/MSD system is performing correctly. See To verify system performance, 51.
- Make sure the reagent gas inlet line(s) are equipped with gas purifiers (not applicable for ammonia.)
- Use extra-high purity reagent gases; 99.99% or better for methane and as pure as is available for other reagent gases.

**To install the CI ion source****To install the CI ion source****CAUTION**

Electrostatic discharges to analyzer components are conducted to the side board where they can damage sensitive components. Wear a grounded anti-static wrist strap and take other anti-static precautions **before** you open the analyzer chamber.

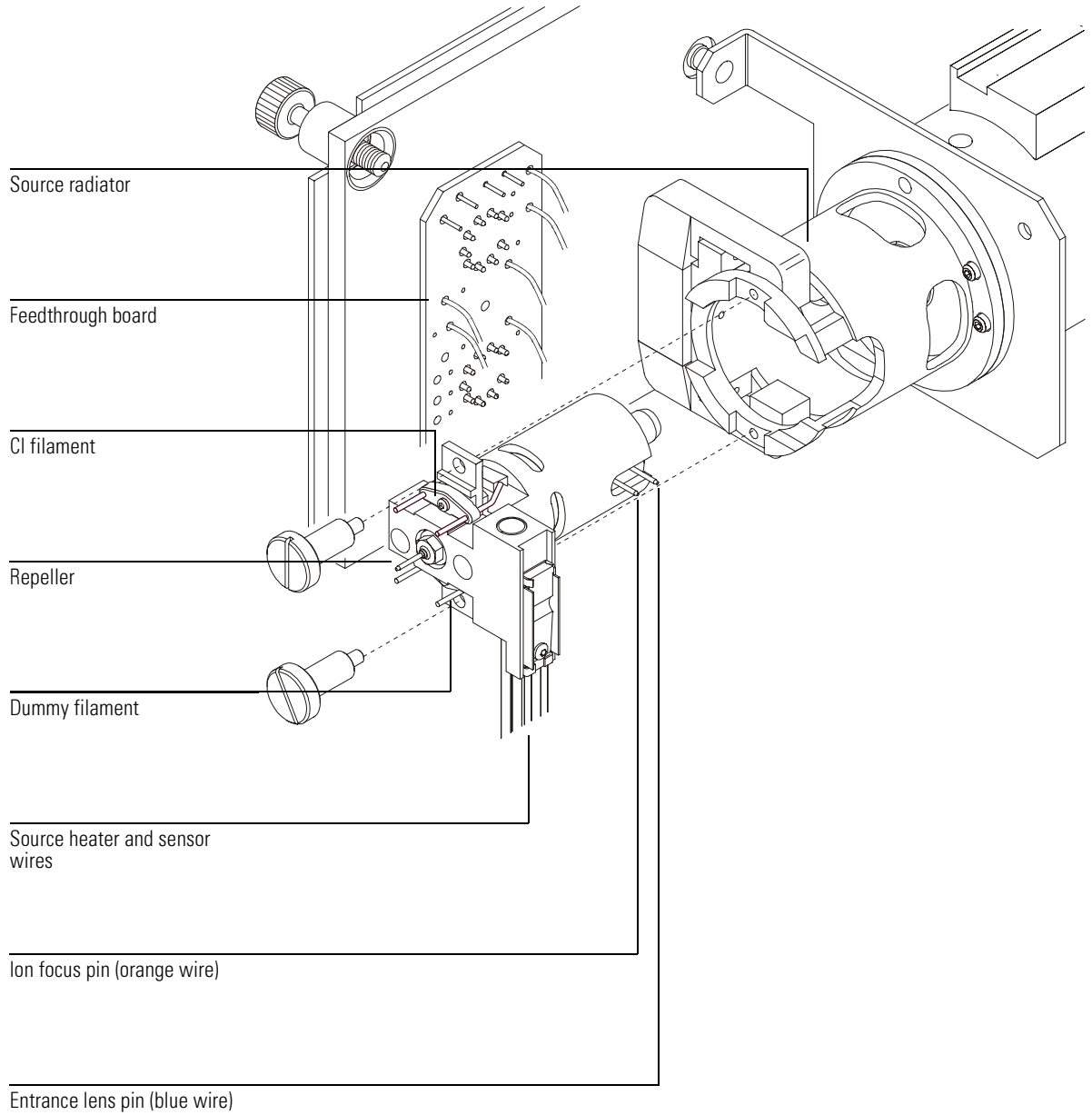
- 1 Vent the MSD and open the analyzer. See page 54.**
- 2 Remove the EI ion source. See page 206.**
- 3 Remove the CI ion source from its storage box and insert the ion source into the radiator.**
- 4 Reinstall the thumbscrews.**
- 5 Connect the dummy filament, repeller, and CI filament wires.**
- 6 Reconnect colored wires to the appropriate pins on the ion source.**

<b>Wire color</b>	<b>Connects to</b>	<b>Number of leads</b>
Blue	Entrance lens	1
Orange	Ion focus	1
White	Filament 1 (top filament)	2
Red	Repeller	1
Black	Dummy filament "(Filament 2")	2

- 7 Connect the heater and sensor cables.**



To install the CI ion source



## To install the CI interface tip seal

---

### To install the CI interface tip seal

*Materials needed:* Interface tip seal (G1099-60412)

The interface tip seal must be in place for CI operation. It is necessary to achieve adequate ion source pressure for CI.

---

#### CAUTION

---

Electrostatic discharges to analyzer components are conducted to the side board where they can damage sensitive components. Wear a grounded anti-static wrist strap and take other anti-static precautions **before** you open the analyzer chamber.

- 1 Remove the seal from the ion source storage box.**
- 2 Place the seal over the end of the interface. See the illustration on the previous page.**

To remove the seal, reverse the above steps.

- 3 Verify that the CI ion source is installed.**
- 4 Gently check the alignment of the analyzer and the interface.**

When the analyzer is aligned correctly, the analyzer can be closed all the way with no resistance except the spring tension from the interface tip seal.

---

#### CAUTION

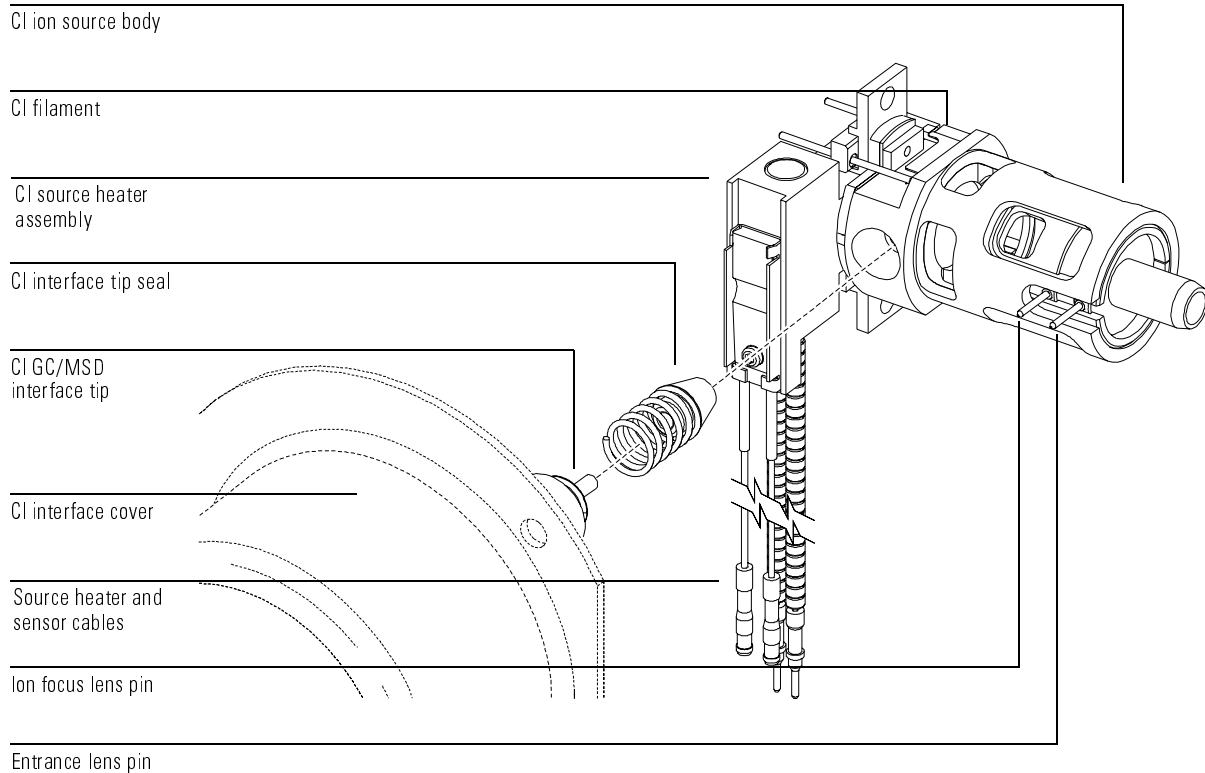
---

Forcing the analyzer closed if these parts are misaligned will damage the seal or the interface or the ion source, or will keep the sideplate from sealing.

- 5 You can align the analyzer and interface by wiggling the side plate on its hinge.**

If the analyzer still won't close, contact your Agilent Technologies service representative.

The figure opposite shows the alignment of the interface, tip seal, and CI ion source.

**To install the CI interface tip seal**

**To clean the CI ion source**

---

## To clean the CI ion source

The CI ion source has slightly different cleaning requirements than the standard EI ion source. See the procedure in the 5973N MSD Maintenance CD-ROM.

### Frequency of cleaning

Because the CI ion source operates at much higher pressures than the EI ion source, it will probably require more frequent cleaning than the EI ion source. Cleaning of the source is not a scheduled, periodic maintenance procedure. The source should be cleaned whenever there are performance anomalies that are associated with a dirty ion source. See the *Troubleshooting* chapter for symptoms that indicate a dirty ion source. **Visual appearance is not an accurate guide to cleanliness of the CI ion source. The CI ion source can show little or no discoloration yet still need cleaning.** Let analytical performance be your guide.

### Cleaning procedure

Cleaning the CI ion source is very similar to cleaning the EI ion source. Use the cleaning procedure in *To clean the ion source, 210* with the following exceptions:

- The CI ion source may not look dirty but deposits left by chemical ionization are very difficult to remove. Clean the CI ion source thoroughly.
- Use a round wooden toothpick to gently clean out the electron entrance hole in the source body and the ion exit hole in the drawout plate.
- Do not use halogenated solvents, and use hexane for the final rinse.

### See Also

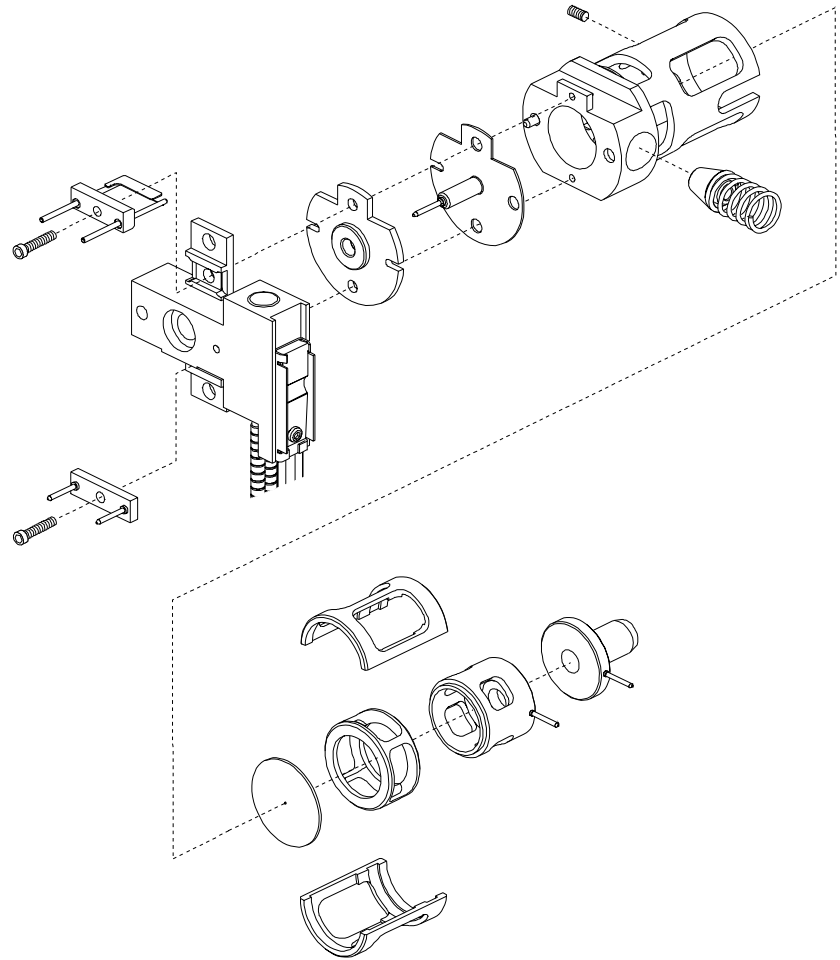
Refer to the MSD Reference Collection CD-ROM for video demonstrations of ion source cleaning and other maintenance procedures.

---

### CAUTION

---

Do not use any halogenated solvents to clean the CI ion source.



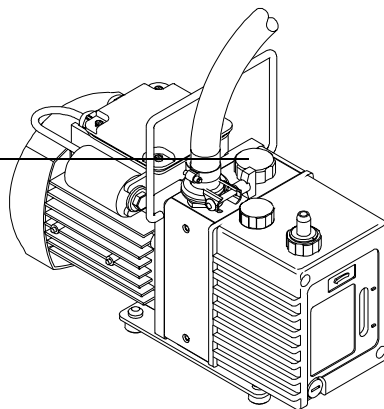
**To minimize foreline pump damage from ammonia****To minimize foreline pump damage from ammonia**

Gas ballasting for an hour every day removes most, of the ammonia from the pump oil. This will greatly increase the life of the pump.

**CAUTION**

Only perform this procedure if the pump is at normal operating temperature. The water in the air can cause condensation of the ammonia at the ballast valve if the pump is cold.

Ballast control



- 1 Open the ballast valve on the foreline pump all the way (several turns counterclockwise)**
- 2 The sound of the pump will get much louder.**
- 3 Leave the ballast valve open for one hour.**
- 4 Close the ballast valve.**

You can continue to run samples while the pump is ballasting.

Leaving the ballast valve open all the time will result in loss of pump oil and damage to the pump.

**CAUTION**

Always purge the flow module with methane after flowing ammonia.

The use of ammonia reagent gas also requires that the foreline pump oil be changed every 2–3 months instead of the usual six months.

---

## To replace the methane/isobutane gas purifier

*Materials needed:*

Methane/isobutane gas purifier (G1999-80410)  
Front ferrule for 1/8-inch tubing (5180-4110)  
Rear ferrule for 1/8-inch tubing (5180-4116)  
Tubing cutter (8710-1709)

The methane/isobutane gas purifier needs to be replaced after four tanks of reagent gas. This frequency may vary depending on purity of the gas and care taken in uncapping and installing the gas purifier. A large leak upstream from the gas purifier can quickly exhaust the reduced metal of its oxygen and moisture traps.

- 1 To install the methane/isobutane gas purifier, follow the instructions on the label for installation and replacement intervals.**

---

**CAUTION**

---

Be sure not to remove the caps until you are ready to install the gas purifier. Only remove the caps in the gas flow to prevent contamination by air.

---

**WARNING**

---

**Methane is flammable. Extinguish all flames in the area before turning on gas flow.**

- 2 Disconnect the fittings on the old filter.**
- 3 Remove the ferrules from the tubing at the outlet of the gas purifier.**  
Using the tubing cutter, cut off the end of the tubing with the ferrules.
- 4 Install the new filter.**
- 5 Purge the new filter.**
- 6 Cap the old filter and prepare it to be sent for regeneration.**  
See the instructions on the label.

**To clean the reagent gas supply lines (tubing)**

---

To clean the reagent gas supply lines (tubing)

*Materials needed:*

Clean, dry nitrogen  
Heat gun  
Tubing cutter (8710-1709)

If the reagent gas lines become contaminated, they can be cleaned.

- 1 Disconnect the reagent gas tubing from the gas supply, the gas purifier, and the MSD.**
- 2 Cap the gas purifier following the instructions on the label.**
- 3 Connect one end of the tubing to a supply of clean, dry nitrogen and turn on gas flow.**
- 4 Use the heat gun to warm the tubing, starting at the supply end and working your way to the free end.**
- 5 Repeat for any other pieces of tubing that need to be cleaned.**
- 6 Reconnect the tubing to the gas supply, gas purifier, and MSD.**

Follow the instructions on the gas purifier label.

---

**WARNING**

---

**Do not heat the gas tubing when reagent gas is flowing.**

---

**CAUTION**

---

Do not put liquids into the tubing. Do not heat the tubing when it is connected to the MSD.



---

## To refill the CI calibrant vial

*Materials needed:* PFDTD calibrant (8500-8130)

- 1 Set the reagent gas flow to Gas Off.**
- 2 Vent the MSD.**
- 3 Remove the capillary column from the GC/MSD interface.**
- 4 Pull the MSD away from the GC. See page 171.**
- 5 Loosen the nut holding the vial in place.**
- 6 Remove the calibrant vial.**

---

### CAUTION

Do **not** rinse the vial with any solvents. **Never** expose the inside of the vial to chlorinated solvents or isopropyl alcohol or water — this will result in severe loss of CI sensitivity.

- 7 Fill the vial to no closer than 6 mm of the top with fresh PFDTD calibrant (8500-8130).**
- 8 Replace the vial and tighten the nut.**
- 9 Reposition the MSD next to the GC. See page 179.**
- 10 Reinstall the capillary column.**
- 11 Pump down the MSD. See page 60.**
- 12 Purge the calibration valve. See page 185.**

---

### CAUTION

After removing the calibrant vial, you **must** purge the calibration valve. Failure to do so will result in severe contamination of the ion source and damage to the filament and electron multiplier.

---



Diffusion pump MSD vacuum system, 264  
Turbo pump MSD vacuum system, 265  
Diffusion pump analyzer chamber, 266  
Turbo pump analyzer chamber, 267  
Side plate, 268  
Vacuum seals, 270  
Foreline pump, 272  
Foreline gauge, 274  
Diffusion pump and fan, 276  
Turbomolecular pump and fan, 280  
Calibration valves and vent valve, 283  
Triode gauge tube, 285  
Gauge controller, 287

---

## Vacuum System

This chapter describes components of the vacuum system in the MSD

---

# Vacuum System

## ***The vacuum system is essential to MSD operation***

The vacuum system creates the high vacuum (low pressure) required for the MSD to operate. Without the vacuum, the molecular mean free path would be too short, and ions would collide with air molecules before they could reach the detector. Operation at high pressures also would damage analyzer components.

The 5973N MSD has one of three kinds of vacuum system: diffusion pump or one of two turbomolecular (turbo) pumps; this determines the maximum column flow that the MSD will support.

Model number	Description	Maximum recommended column flow
G2577A	Diffusion Pump, EI	1.5 ml/min
G2578A	Standard Turbo Pump, EI	2.0 ml/min
G2588A	Standard Turbo Pump, EI, PCI	2.0 ml/min
G2579A	Performance Turbo Pump, EI	4.0 ml/min
G2589A	Performance Turbo Pump, EI, PCI, NCI	4.0 ml/min

Many parts of the vacuum system are common to both, but some parts are specific to the high vacuum pump.

Most vacuum system operation is automated. Operator interaction is through the data system or control panel. Monitoring of the vacuum system is done through the data system and or control panel, and through the optional gauge controller.

### ***Common vacuum system problems***

The most common problems associated with any vacuum system are air leaks. Symptoms of air leaks include:

- Loud gurgling noise from the foreline pump (very large leak.)
- Inability of the turbo pump to reach 95% speed
- High foreline pressure in diffusion pump MSDs
- Higher than normal high vacuum gauge controller readings

The 5973N MSD will *not* pump down successfully unless you press on the side plate (analyzer door) when you turn on the MSD power. Continue to press until the sound from the foreline pump becomes quieter.

### ***Pumpdown failure shutdown***

The system will shut down both the high vacuum and the foreline pump if the system fails to pump down correctly. The conditions that trigger shutdown are:

- Diffusion pump MSD: foreline pressure above 300 mTorr after 7 minutes
- Turbo pump MSDs: turbo pump speed below 80% after 7 minutes

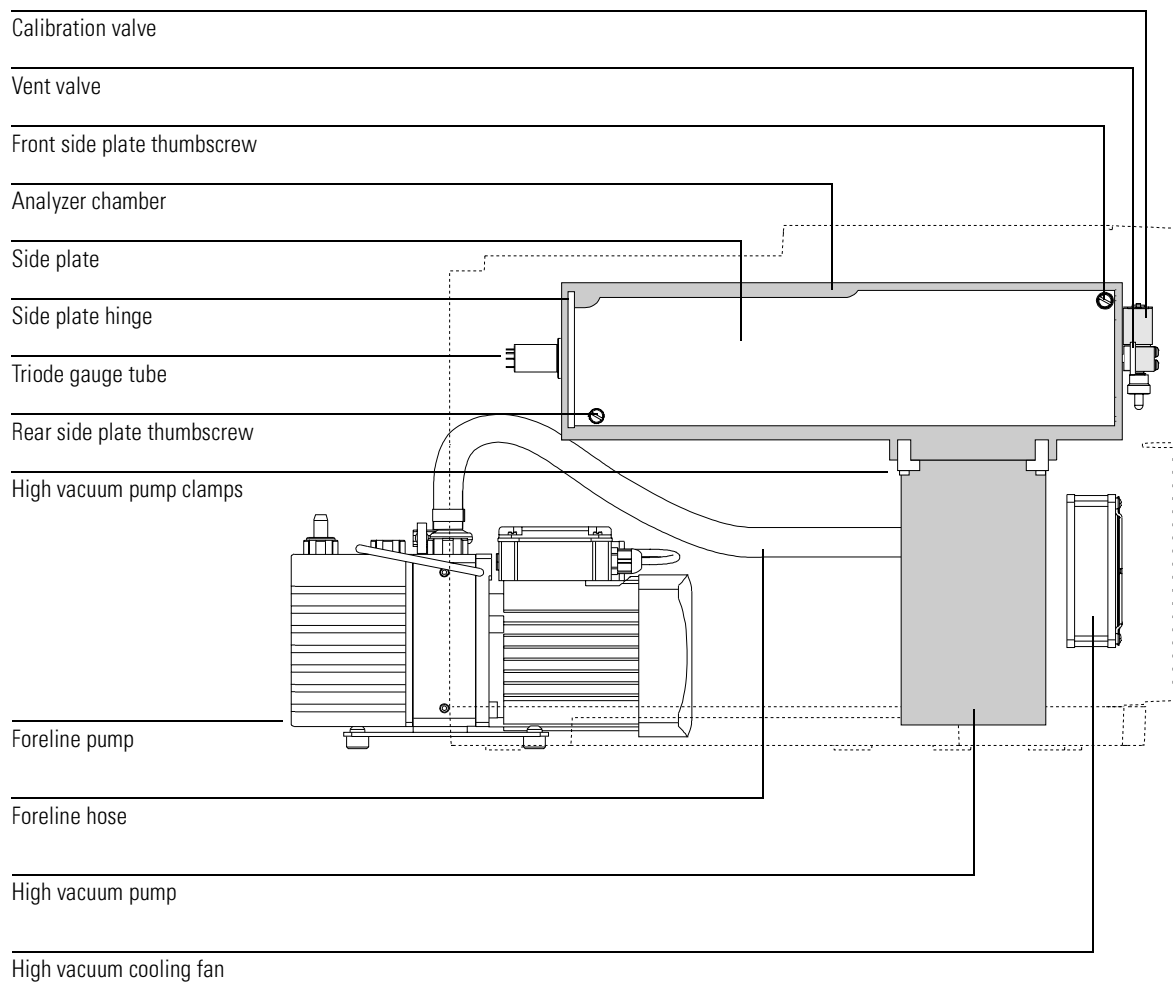
This is usually because of a ***large*** air leak: either the sideplate has not sealed correctly or the vent valve is still open. This feature helps prevent the foreline pump from sucking air through the system, which can damage the analyzer and pump.

To restart the MSD, find and correct the air leak, then switch the power off and on. Be sure to press on the sideplate when turning on the MSD power to ensure a good seal.

***Many components make up the vacuum system***

- Analyzer chamber
- Side plate (analyzer door), and front and rear end plates
- Vacuum seals
- Foreline (rough) pump
- High vacuum pump (vapor diffusion or turbomolecular pump)
- Calibration valve(s) and vent valve
- Vacuum control electronics
- Vacuum gauges and gauge control electronics

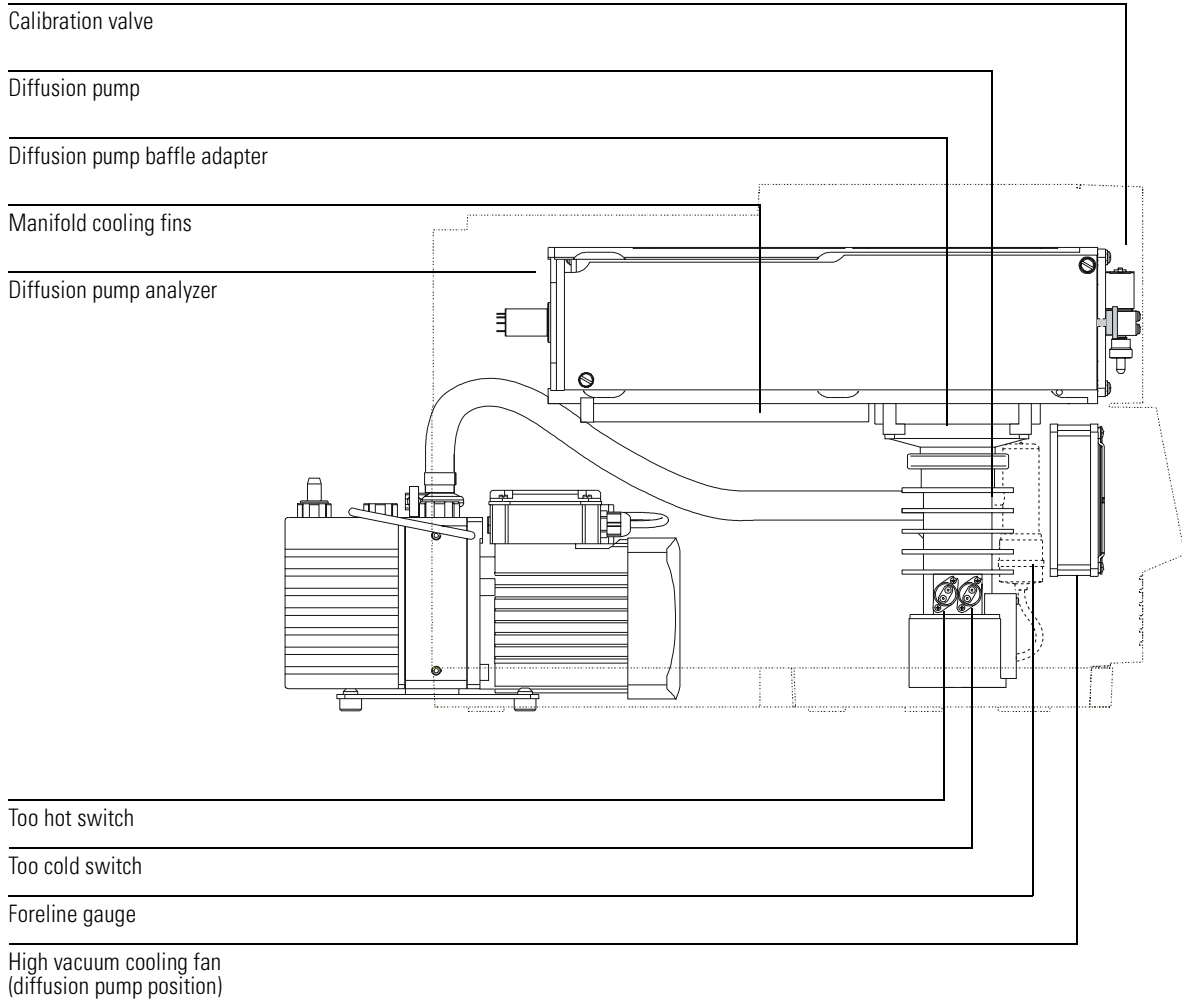
Each of these is discussed in more detail in the following material.



**Diffusion pump MSD vacuum system**

## Diffusion pump MSD vacuum system

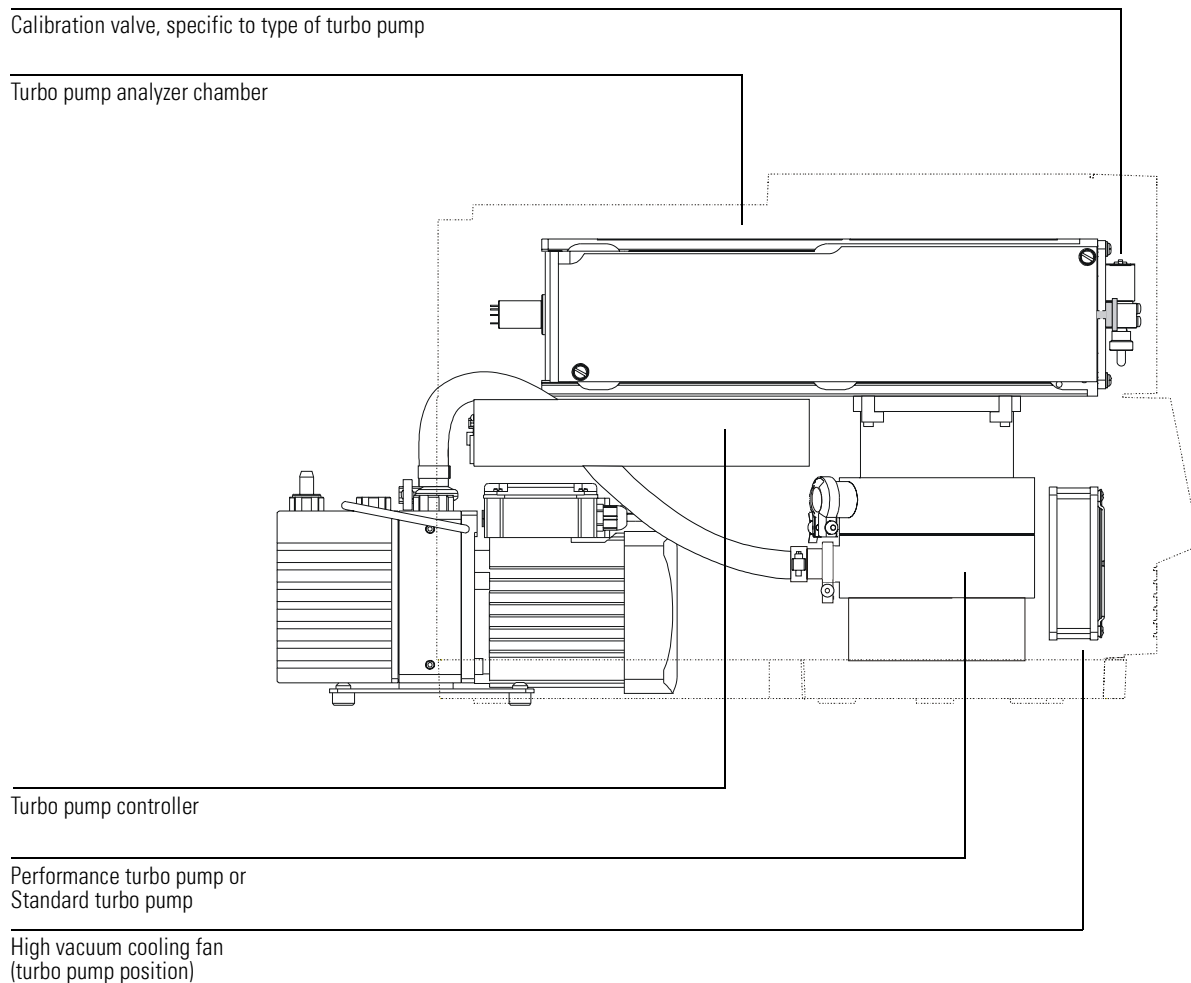
The diffusion pump requires baffling to prevent vapor from migrating into the analyzer chamber. Foreline pressure is monitored by the foreline gauge. The ac board controls the diffusion pump heater.





## Turbo pump MSD vacuum system

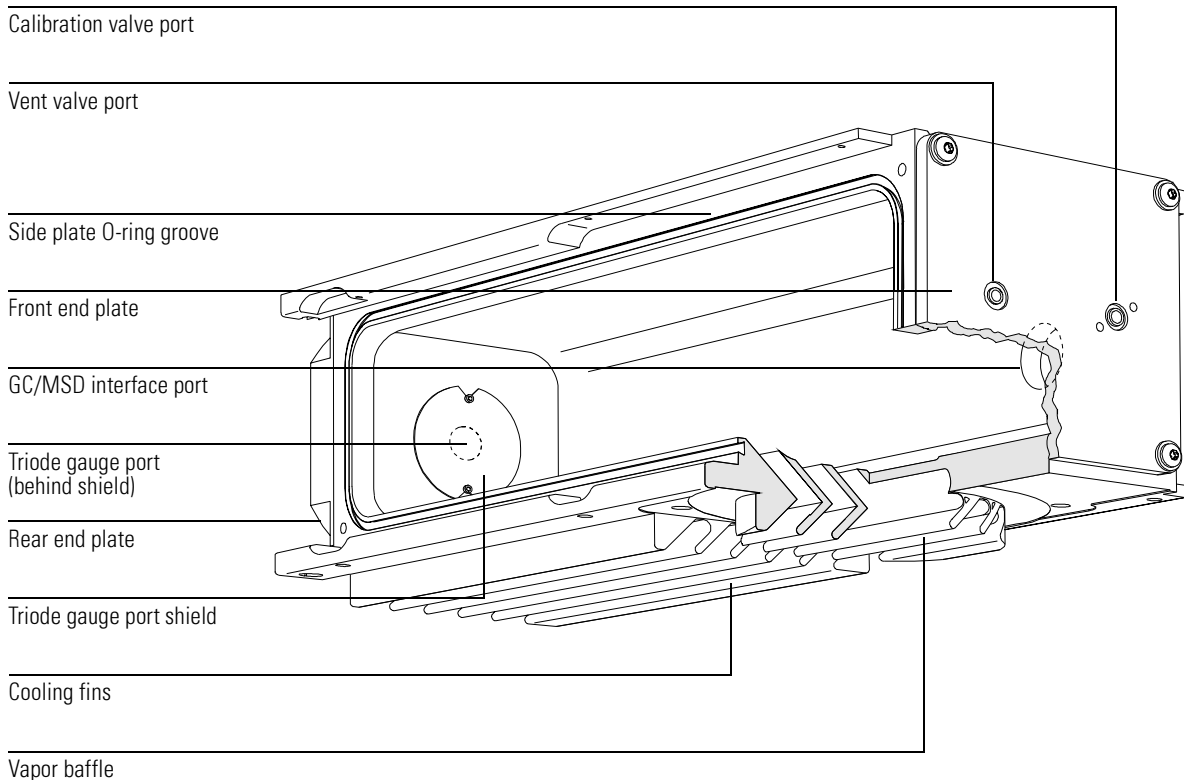
The 5973N MSD can have one of two turbo pumps. The performance turbo pump can accept up to 4 ml/min carrier gas flow, while the standard turbo pump can accept up to 2.4 ml/min carrier gas flow. The turbo pump has a screen to keep debris out of the pump, but no baffle is necessary. Pump speed is controlled by the turbo controller; there is no foreline gauge.



**Diffusion pump analyzer chamber****Diffusion pump analyzer chamber**

The analyzer chamber is the chamber in which the analyzer operates. The manifold is extruded and machined from an aluminum alloy. Large openings in the side, front, and rear of the analyzer chamber are closed by plates. O-rings provide the seals between the plates and the manifold. Ports in the manifold and the plates provide attachment points for the triode gauge tube, calibration valve, vent valve, GC/MSD interface, and high vacuum pump.

The diffusion pump attaches with a KF50 seal to a baffle adapter that is clamped to the bottom of the manifold. A vapor baffle helps prevent migration of pump fluid vapor into the manifold. Cooling fins on the bottom of the manifold keep the baffle cool so the vapor will condense on it.

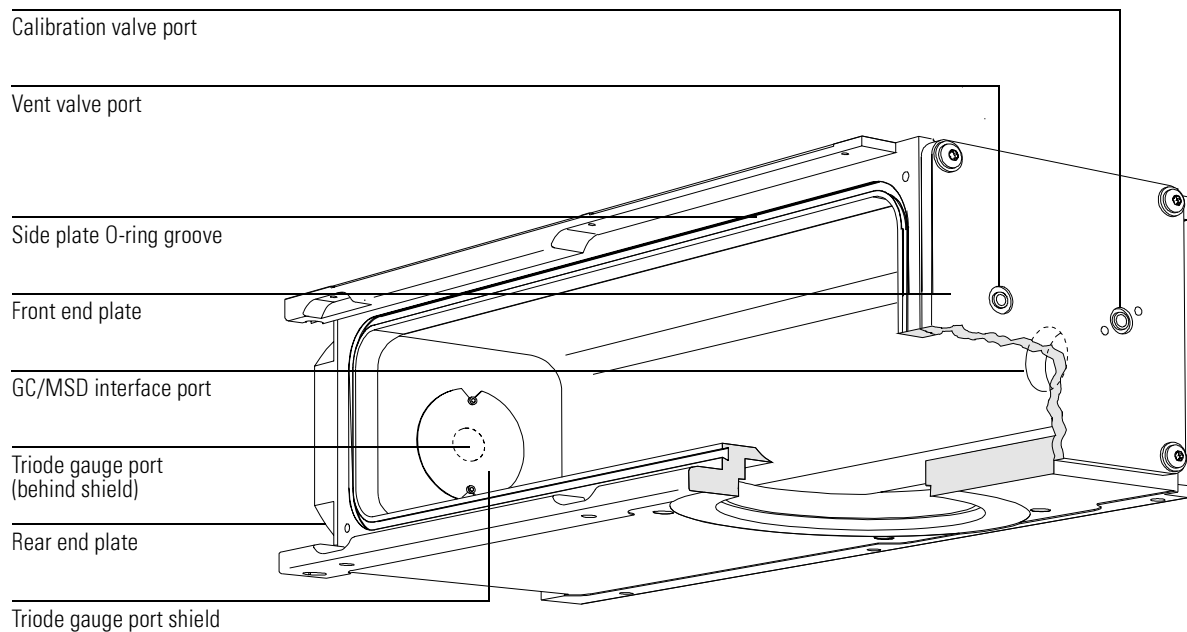


---

## Turbo pump analyzer chamber

The manifold for the turbo pump does not have a baffle or cooling fins. The turbo pump and the mounting bracket for the turbo controller are clamped directly to the manifold.

In every other respect, the two manifolds are identical.



**Side plate**

---

## Side plate

The side plate is a flat stainless steel plate that covers the large opening in the side of the analyzer chamber. The side plate is attached to the manifold with a hinge. The analyzer assembly is attached to the side plate inside the analyzer chamber. The hinge allows the side plate to swing away from the manifold for easy access to the analyzer.

Several electrical feedthroughs are built into the side plate. Wires connect the feedthroughs to analyzer components. The electronic side board is mounted on the atmospheric side of the side plate.

Thumbscrews are located at each end of the side plate.

---

**CAUTION**

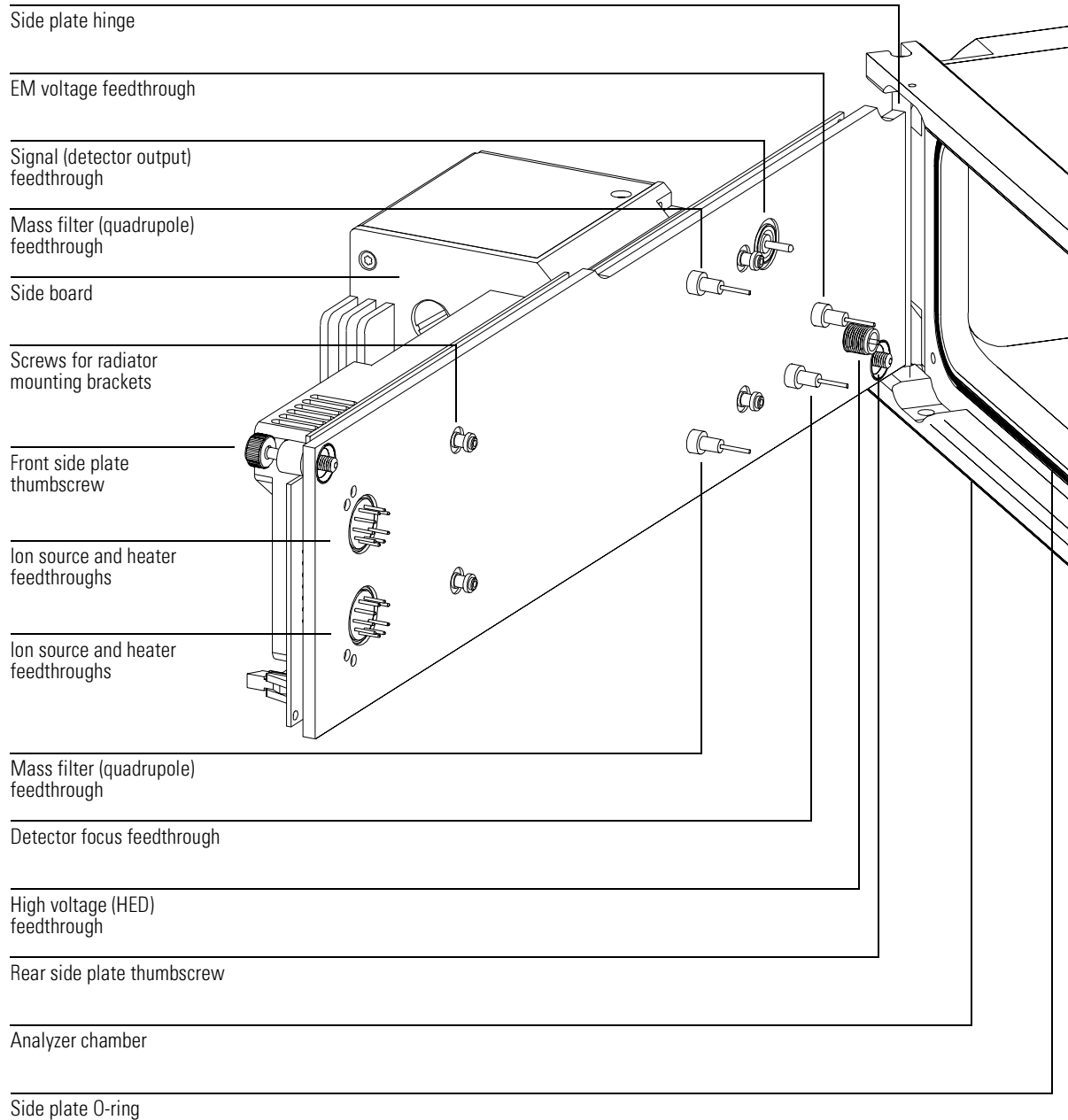
Fasten both side plate thumbscrews for shipping or storage **only**. For normal operation the both thumbscrews should be loose. For operation with hydrogen carrier gas, or with flammable or explosive CI reagent gases, the front thumbscrew should be fastened just finger tight. Overtightening will warp the side plate and cause air leaks. **Do not** use a tool to tighten the side plate thumbscrews.

---

**CAUTION**

When you turn on the power to pump down the MSD, be sure to press on the side board to ensure a good seal.

---



**Vacuum seals**

---

## Vacuum seals

Several types of Viton elastomer O-ring seals are used to prevent air leaks into the analyzer chamber. All these O-rings, and the surfaces to which they must seal, must be kept clean and protected from nicks and scratches. A single hair, piece of lint, or scratch can produce a serious vacuum leak. Two of the O-rings are *lightly* lubricated with Apiezon-L vacuum grease: the side plate O-ring and the vent valve O-ring.

### Face seals

A face seal is an O-ring that fits in a shallow groove. The sealing surface is usually a flat plate. The manifold side plate and end plate O-rings fit into grooves around the large openings in the analyzer chamber. The side plate swings into place against the side plate O-ring, and must be held in place when the MSD is turned on for pumpdown in order to assure a good seal.

The front and rear end plates are screwed onto the manifold, and should not need to be removed. The GC/MSD interface fastens to the manifold with three screws.

The calibration valve assembly is fastened onto the front end plate by two screws. The vent valve knob threads into the front end plate. Small O-rings in grooves in the front end plate provide vacuum seals.

The diffusion pump baffle adapter has a groove for its O-ring. The baffle adapter is clamped to the manifold with 4 claw grips.

### KF (NW) seals

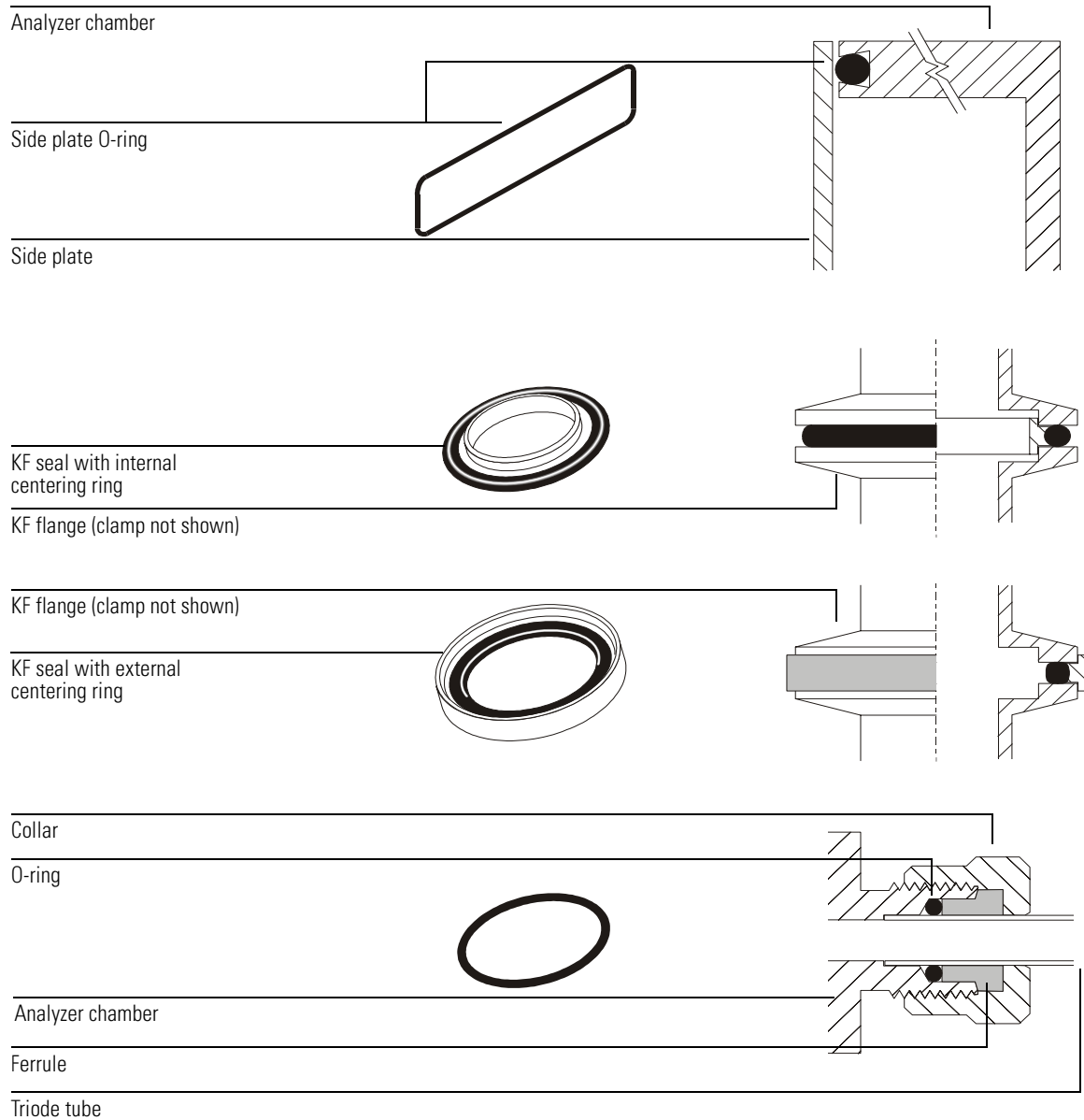
Most of the seals for the high vacuum pumps, foreline gauge, and foreline pump are KF seals. KF seals have an O-ring supported by a centering ring. The centering ring can be either on the inside or the outside of the O-ring. The clamp presses two flanges against the O-ring, making a seal. KF clamps must not be overtightened.

### Compression seals

A compression fitting consists of a threaded fitting on the analyzer chamber and a threaded collar with a ferrule and O-ring. A cylindrical part fits inside the collar. Tightening the collar presses the ferrule, compressing the O-ring around the part. The triode gauge tube and calibration vial use compression seals.

## High voltage feedthrough seal

The high voltage (HED) feedthrough seal is an O-ring that is compressed against the side plate by a threaded collar.



**Foreline pump**

---

## Foreline pump

The foreline pump reduces the pressure in the analyzer chamber so the high vacuum pump can operate. It also pumps away the gas load from the high vacuum pump. The foreline pump is connected to the high vacuum pump by a 130-cm hose called the foreline hose.

The foreline pump is a two-stage rotary-vane pump. The foreline pump turns on when the MSD power is turned on. The foreline pump has a built-in anti-suckback valve to help prevent backstreaming in the event of a power failure.

The foreline pump can be placed under the analyzer chamber at the rear of the MSD (with the exhaust outlet to the rear), or on the floor below the MSD.

An oil trap (not shown) is available that can be used to filter pump oil out of the foreline pump exhaust. This trap stops *only* pump oil. Do not use the trap if you are analyzing toxic chemicals or using toxic solvents, or if you have a CI MSD. Instead, install an 11-mm id hose to remove the exhaust from your lab.

---

**W A R N I N G**

**The foreline pump exhaust contains traces of solvents, analytes, and foreline pump oil. The supplied oil trap stops only pump oil. It does not trap or filter out toxic chemicals. If you are using toxic solvents or analyzing toxic chemicals, remove the oil trap and install a hose to take the foreline pump exhaust outside or to a fume hood.**

---

**C A U T I O N**

Do not place the foreline pump near any equipment that is sensitive to vibration.

---

**C A U T I O N**

The ballast control knob controls the amount of air allowed into the pump. Keep the ballast control closed (fully clockwise) at all times, except when ballasting the pump.

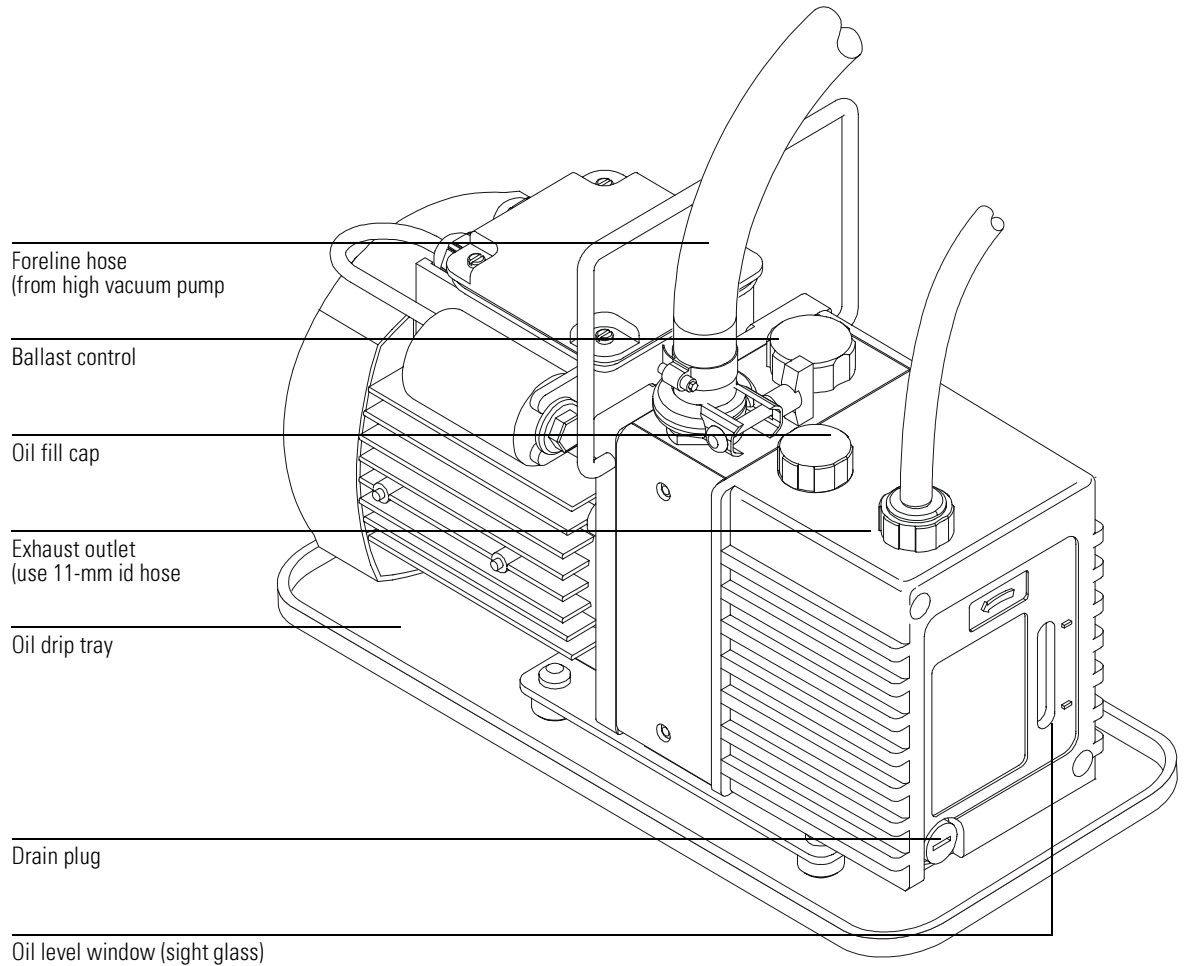
A window (sight glass) in the front of the foreline pump shows the level of the foreline pump oil. There are two marks next to the window. The level of the pump oil should never be above the upper mark or below the lower mark. If the level of pump oil is near the lower mark, add foreline pump oil.

---

**See Also**

*To check and add foreline pump oil, see page 160.*





## Foreline gauge

The foreline gauge monitors the pressure (vacuum) at the exit of the diffusion pump. The primary function of the foreline gauge is diffusion pump control. When the foreline pump has reduced the pressure in the analyzer chamber to below 300 mTorr (0.3 Torr), the diffusion pump is automatically switched on. If the foreline pressure rises above 400 mTorr (0.4 Torr), the ac board switches off the diffusion pump heater and the analyzer electronics.

The foreline pressure can be monitored from your data system.

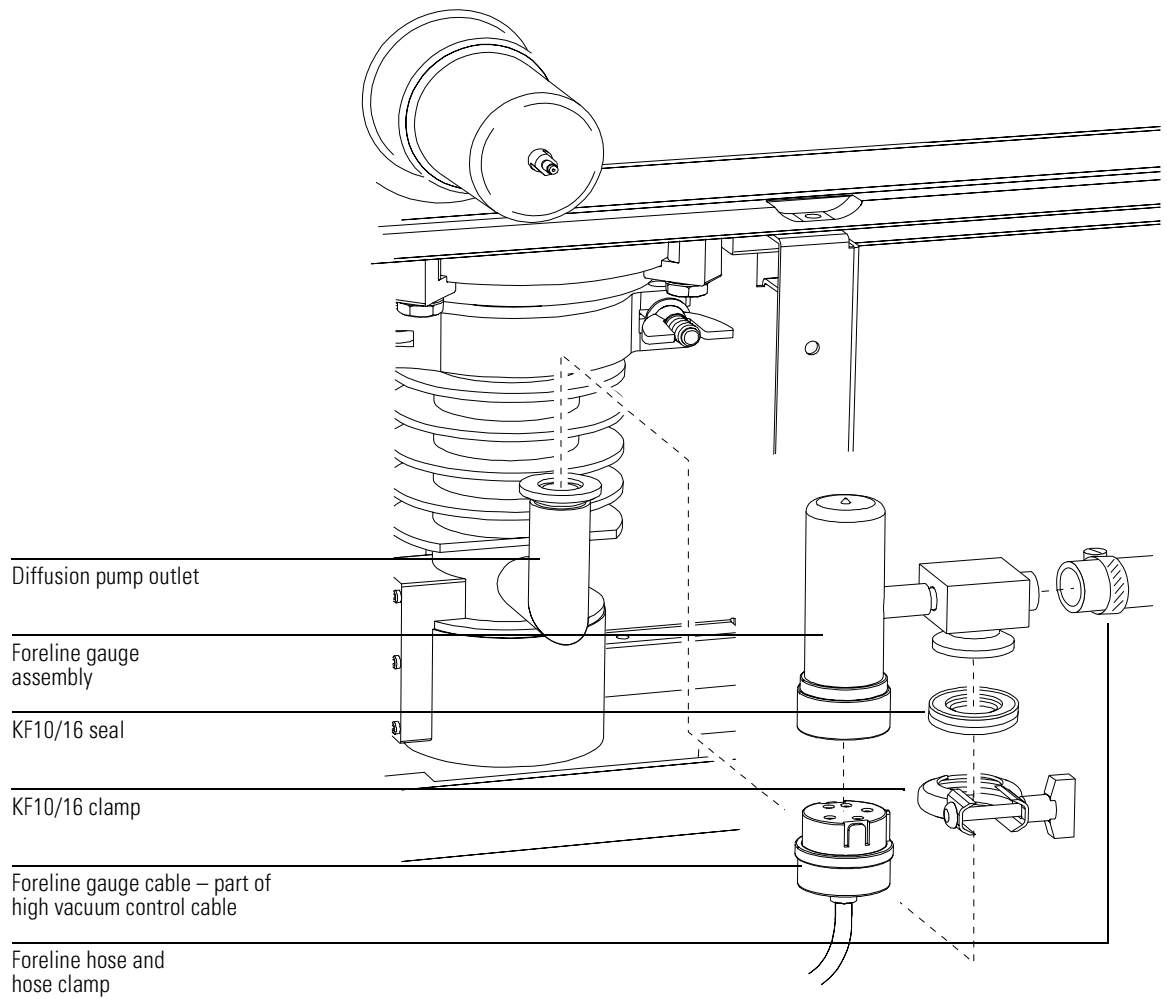
The turbo pump MSD does not require a foreline gauge. Instead, the motor speed is monitored.

### **See Also**

*To view MSD temperature and vacuum status, page 38*

*Gauge controller, page 287*

*Table 2. Typical MSD pressure readings for various carrier gas flow rates, page 47*



## Diffusion pump and fan

The diffusion pump in the MSD is an air-cooled vapor diffusion pump with 90 liters/second capacity. It mounts with a KF50 fitting to a baffle adapter clamped to the bottom of the analyzer chamber.

The diffusion pump has a cylindrical body surrounded by fins to help dissipate heat. Its inlet is open to the interior of the analyzer chamber, through the adapter and baffle. A structure called the stack is located at the center of the pump body. An electric heater is located at the bottom of the stack

The diffusion pump transports gas by momentum transfer. The heater boils a special fluid (a polyphenyl ether) inside the stack. As the vapor pressure increases, the pump fluid vapor is forced out and downward through nozzles in the stack. The vapor forced out of these nozzles strikes the gas molecules that are present. This forces the gas molecules down toward the outlet near the bottom of the pump. Another nozzle in the stack points directly at the outlet and forces the gas molecules out. The vapor condenses on the sides of the pump and the liquid drains down to the bottom. The liquid is boiled again and is reused continuously.

A cooling fan is located between the diffusion pump and the front cover of the MSD. The fan draws air through the cover and blows it over the pump. Without this cooling, the pump fluid vapor would not condense correctly, but would diffuse into the analyzer chamber.

The foreline pump is connected by the foreline hose to the outlet of the diffusion pump. It removes the gas molecules that reach the outlet.

The diffusion pump operation is controlled by the ac board. The ac board turns on the diffusion pump heater automatically as soon as the foreline pump lowers the pressure in the analyzer chamber below approximately 300 mTorr (0.3 Torr). Until the foreline pressure drops below 300 mTorr, the diffusion pump heater will not turn on. If the pressure does not drop below 300 mT within seven minutes of turning the MSD on, the foreline pump will shut off. During operation, if the foreline pressure rises above 400 mTorr, the diffusion pump heater will turn off. The ac board allows the analyzer electronics to turn on when the diffusion pump is hot.

The diffusion pump typically maintains an indicated pressure below  $1.0 \times 10^{-4}$  Torr for GC helium carrier gas flows up to 2 ml/minute. High vacuum (manifold) pressure can only be measured if your MSD is equipped with the optional gauge controller.

**See Also** *Gauge controller*, page 287

Table 2: *Typical MSD pressure readings for various carrier gas flow rates*, page 47.

The small size of the diffusion pump allows it to heat up and cool down quickly. This simplifies pumpdown and venting. From initial power-on, the system can pump down to operating pressure in approximately 15 minutes. If the power fails, the diffusion pump fluid stops boiling before the analyzer chamber pressure begins to rise significantly. This helps prevent back diffusion of pump fluid into the analyzer chamber. Your data system has pumpdown and venting programs to guide you through these procedures. Follow their instructions carefully.

**See Also** *To pump down the MSD*, page 60  
*Diffusion pump control*, page 328  
*To vent the MSD*, page 54

Diffusion pump operational readiness is monitored by two thermal switches.

**Table 7**

<b>Diffusion pump thermal switches</b>		
<b>Thermal Switch</b>	Too Cold	Too Hot
<b>Normal state</b>	Normally open	Normally closed
<b>Changes at</b>	170°C rising; 140°C falling	365°C rising
<b>Function</b>	Keeps analyzer turned off until the pump is hot enough to for adequate vacuum. Prevents analyzer damage.	Shuts off diffusion pump and analyzer if the pump overheats. Prevents damage to the pump and analyzer.
<b>Message</b>	The high vacuum pump is not ready	Difficulty with the high vacuum pump
<b>What it means</b>	Normal during pumpdown.	<i>Always</i> indicates a problem.
<b>What to do</b>	Wait for pump to heat up.	Check the level and condition of the fluid. Make sure pump is cool, and power-cycle MSD to reset.

**Diffusion pump and fan**

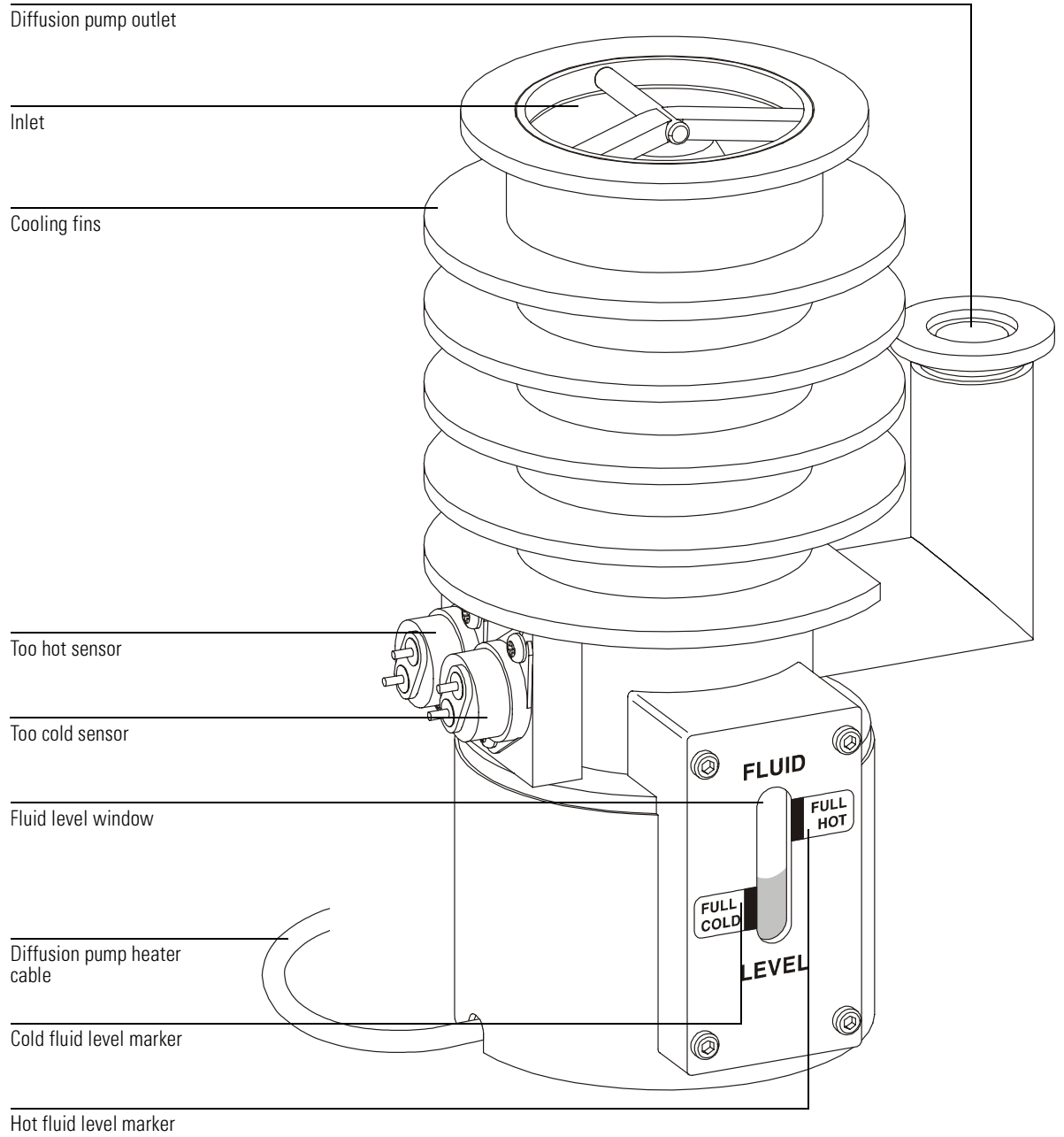
You can check the condition and level of the diffusion pump fluid through the window (sight glass) near the base of the front of the pump. If the level drops below the appropriate marker (there are separate ranges for hot and cold conditions) or if the fluid turns dark brown or black, replace the fluid. Otherwise, replace the fluid once a year.

Diffusion pump fluid that is exposed to air at operating temperature will break down and turn dark brown or black. This reaction is called cracking. Cracked pump fluid gives two symptoms: higher manifold pressure and high background with a large peak at  $m/z$  446.

**See Also**

Maintaining the vacuum system, 159

*Troubleshooting (5973N MSD)* in the online help for information on troubleshooting air leaks and other vacuum problems



## Turbomolecular pump and fan

The turbo pump in the MSD is clamped directly to the bottom of the analyzer chamber.

The turbo pump has a cylindrical body with its inlet open to the interior of the analyzer chamber. Inside the pump body is a central shaft or cylinder. Sets of small blades (airfoils) radiate from the central shaft. The shaft spins at up to 60,000 revolutions per minute in the performance turbo pump, and 90,000 rpm in the standard turbo pump.

The turbo pump transports gas by momentum transfer. The turbine blades are angled so that when they strike a gas molecule it is deflected downward. Each set of blades pushes the gas molecules further down toward the pump outlet. The foreline pump is connected by a hose to the outlet of the turbo pump. It removes the gas molecules that reach the outlet.

A controller regulates current to the pump and monitors pump motor speed and temperature. A cooling fan is located between the turbo pump and the front panel of the MSD. The fan draws air from outside the MSD and blows it over the pump.

The turbo pump turns on automatically as soon as the MSD power is switched on. The system will allow the analyzer to be turned on when the turbo pump is greater than 80% speed, but the pump normally operates at 100% speed. Turbo pump MSDs typically maintain an indicated pressure below  $8 \times 10^{-5}$  Torr for helium column flows up to 4 ml/minute for the performance turbo pump, and up to 2 ml/minute for the standard turbo pump. Pressure (vacuum) can only be measured if your MSD is equipped with the optional gauge controller.

The turbo pump spins up (starts) and spins down (stops) quickly. This simplifies pumpdown and venting. From initial power-on, the system can pump down to operating pressure in 5 to 10 minutes.

### See Also

*Gauge controller*, page 287

*To pump down the MSD*, page 60

*To vent the MSD*, page 54

*Turbo pump control*, see 326

*Table 2. Typical MSD pressure readings for various carrier gas flow rates*, page 47



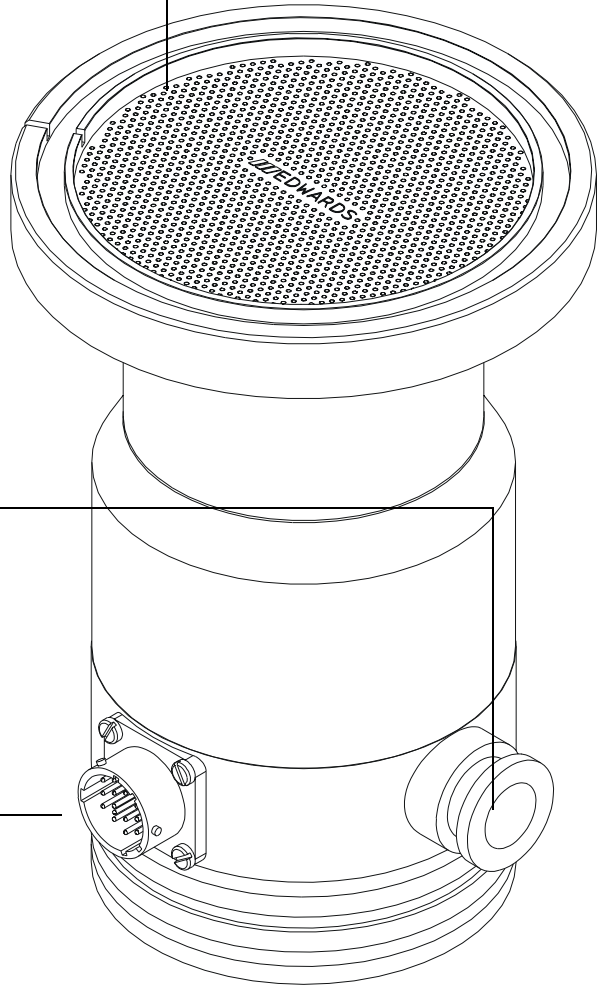
---

## Standard turbo pump

Turbo pump inlet with screen

Turbo outlet port

Connector turbo controller



**Performance turbo pump**

---

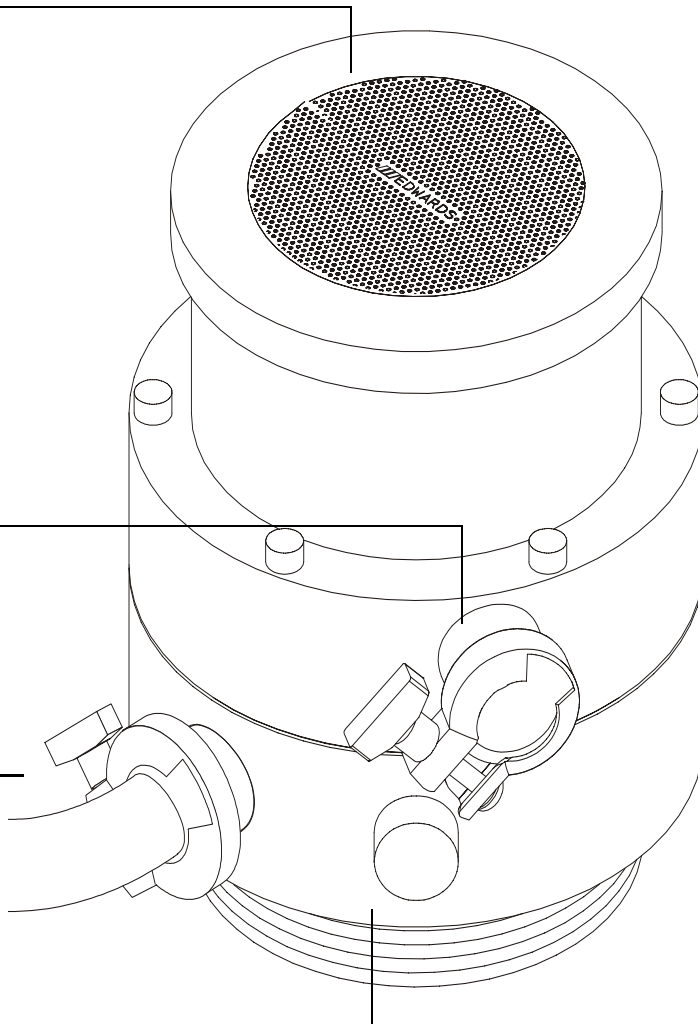
## Performance turbo pump

Turbo pump inlet with screen

Interstage port (blanked off)

Turbo outlet port

Connector turbo controller



---

## Calibration valves and vent valve

### Calibration valves

A calibration valve is an electromechanical valve with a vial to hold the tuning compound. When a calibration valve is opened, tuning compound in the vial diffuses into the ion source. EI MSDs have only one calibration valve, while CI MSDs have another calibration valve for the CI tuning compound. The valves are controlled by the MSD ChemStation.

### EI calibration valve

The EI calibration valve is held onto the front end plate of the analyzer chamber by two screws. A small O-ring provides a face seal.

The diffusion pump and the standard turbo pump MSDs have a calibration valve with restrictor with less restriction than that in the performance turbo MSD; this is to allow the correct diffusion of calibrant for each vacuum system.

Perfluorotributylamine (PFTBA) is the most commonly used tuning compound for EI operation. PFTBA is required for automatic tuning of the MSD. Other compounds can be used for manual tuning.

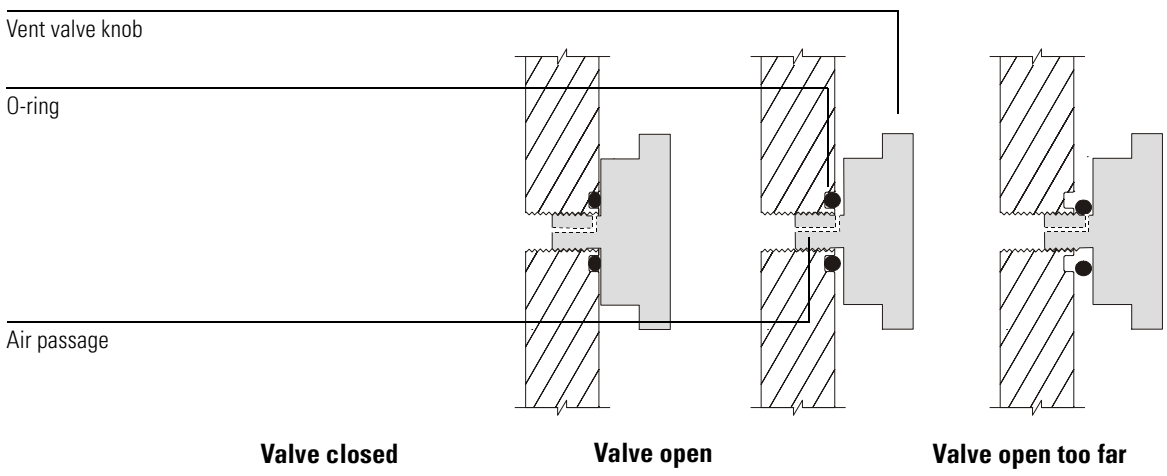
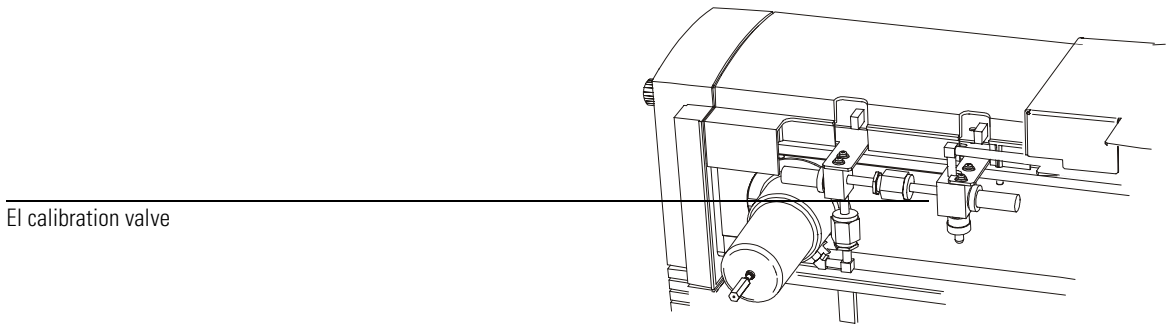
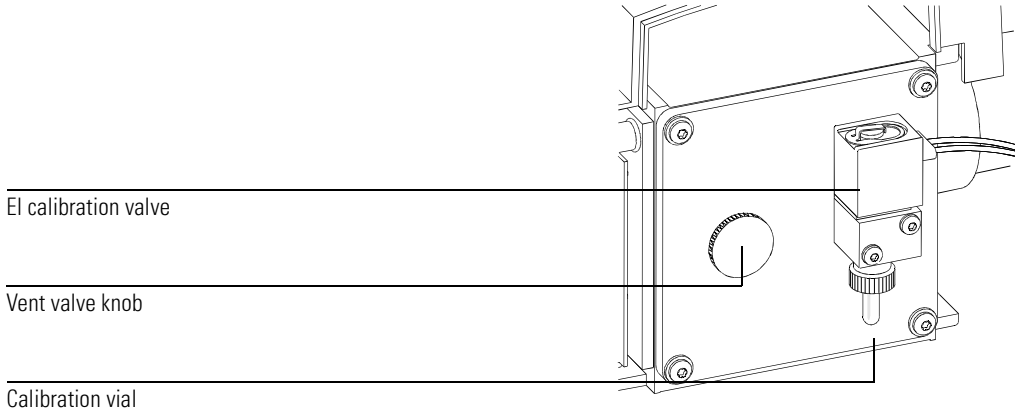
### CI calibration valve

The CI tuning compound is perfluoro-5,8-dimethyl-3,6,9-trioxidodecane (PFDTD). The CI calibration valve is part of the reagent gas flow control module. It is controlled by the ChemStation software, and opens automatically during CI autotune or manual tuning, allowing PFDTD to diffuse through the GC/MSD interface and into the ion source.

### Vent valve

The vent valve knob screws into a threaded port in the front end plate. An O-ring is compressed between the knob and the end plate to form a seal. The threaded end of the knob has an air passage inside it, allowing air to flow into the manifold when the knob is partially unscrewed. If you turn the knob too far, the O-ring can come out of its slot.

**Calibration valves and vent valve**



---

## Triode gauge tube

The MSD is equipped with a triode gauge tube connected to the analyzer chamber. With the optional 59864B Gauge Controller, the triode gauge can be used to measure the pressure (high vacuum) in the analyzer chamber. The triode gauge will not operate at pressures above  $8 \times 10^{-3}$  Torr. The triode gauge cannot be used without the gauge controller.

---

### WARNING

**Parts of the triode gauge tube operate at approximately 150 V dc. Turn off the triode gauge before working near it.**

---

### WARNING

**The triode filament can ignite hydrogen. Never turn on the tube if there is a possibility that hydrogen has accumulated in the manifold.**

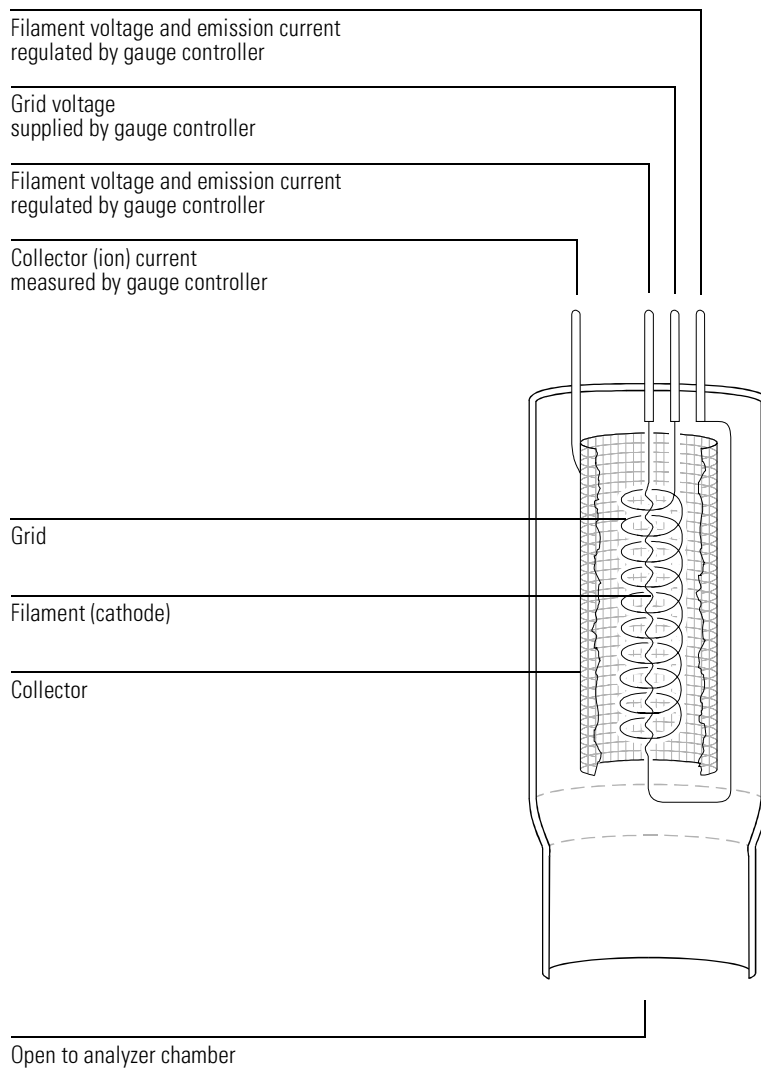
---

The triode gauge relies on the ionization of gas molecules to establish a pressure-dependent current flow. In the triode gauge, a regulated electrical current is passed through a filament called the cathode, causing it to emit electrons. The electrons accelerate from the filament toward a surrounding grid which is held at a higher potential (+150 V dc).

The emitted electrons ionize gas molecules in the tube. Positive ions are driven to a grounded wire mesh collector. At the collector, the positive ions regain missing electrons. This generates current in the collector. The number of ions formed is a function of the number of gas molecules present, that is, the gas pressure. Therefore, pressure can be calculated based on the current applied to the filament (cathode) and the current measured in the collector.

Since one end of the triode gauge tube is open to the analyzer chamber, the pressure in the triode gauge is essentially the same as the pressure in the analyzer chamber. To prevent electronic noise from the triode gauge tube from interfering with the detector, a small z-fold baffle is inserted into the stem of the triode gauge tube; and a shield is installed in the analyzer chamber between the tube port and the ion source.

Unlike some other pressure gauges that work by ionization, the triode gauge does not require degassing to remove accumulated ions from the surfaces in the gauge. In some cases, however, new gauge tubes will not display pressures accurately until they have been turned on for several hours.



The glass around the connector pins is easily cracked if the pins are moved too much. Be very careful when connecting and disconnecting the cable to avoid damage to the tube and creating air leaks.

---

## Gauge controller

The optional 59864B Gauge Controller allows you to use the triode gauge tube to monitor the pressure in the MSD analyzer chamber. This can aid in everyday operation and in troubleshooting.

The 59864B Gauge Controller includes the controller and a cable for connecting the controller to the triode gauge. A power cord is supplied with a plug appropriate for the country from which the order was placed. The gauge controller can operate on all voltages between 100 and 240 V ac (nominal) and at ac frequencies of 50 to 60 hertz. The fuse in the gauge controller is appropriate for all allowed voltages.

The gauge controller regulates emission current to the filament of the triode gauge tube. It also measures the ion current in the collector. From these data, the gauge controller calculates and displays the pressure present in the analyzer chamber. The analyzer chamber pressure (in Torr) is displayed on the front panel of the controller.

The gauge controller is calibrated for nitrogen ( $N_2$ ). The carrier gas is usually helium, which does not ionize as readily as nitrogen. Therefore, the *indicated* pressure for helium is approximately 6 times lower than the absolute pressure. For example, a reading of  $2.0 \times 10^{-5}$  Torr versus an absolute pressure of  $1.2 \times 10^{-4}$  Torr. In a CI MSD, the indicated pressure reflects the contribution of both the carrier gas and the reagent gas. The distinction between indicated and absolute pressure is not important for normal operation of the MSD. Of greater concern are changes in pressure from hour to hour or day to day. These changes can indicate air leaks or other problems with the vacuum system. All the pressures listed in this manual are indicated pressures for helium carrier gas. The gauge controller setpoints are also indicated pressures.

### See Also

*To monitor high vacuum pressure, page 46*

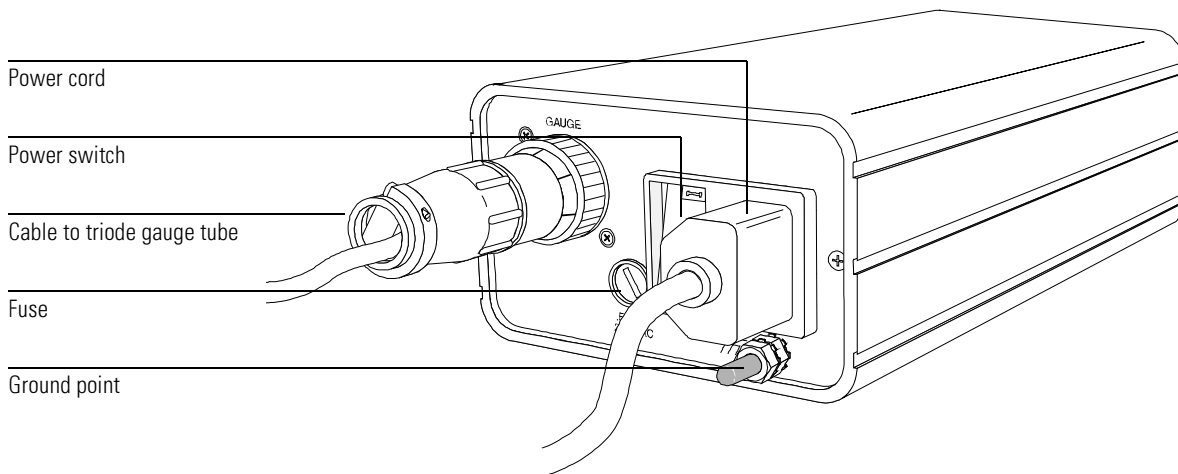
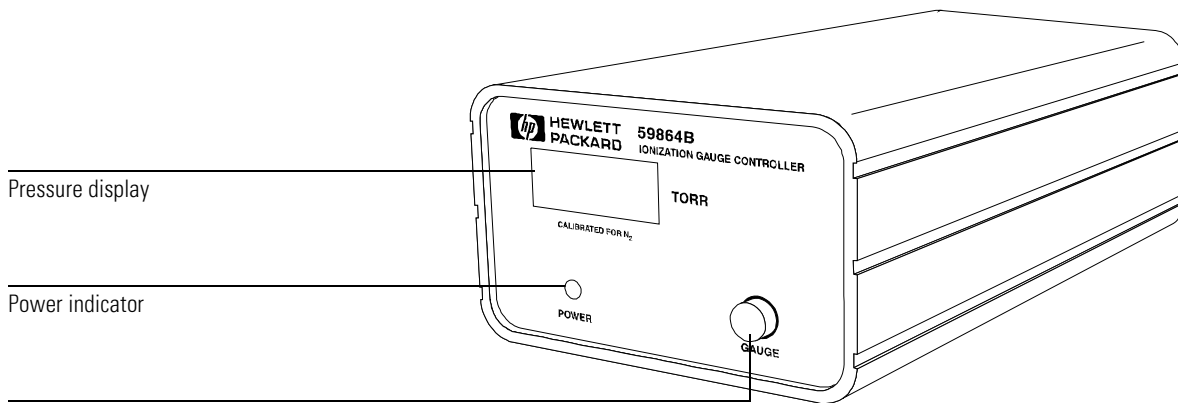
---

### WARNING

---

**The filament in the triode gauge tube can ignite hydrogen. Never turn on the tube if there is a possibility that hydrogen has accumulated in the manifold.**

**Gauge controller**





EI GC/MSD interface, 291  
EI/CI GC/MSD interface (CI interface), 292  
Reagent gas flow control module, 293

---

## GC/MSD Interfaces and CI Flow Control

This chapter describes the function of the GC/MSD interfaces and the CI reagent gas flow control module

---

## GC/MSD interface

The GC/MSD interface is a heated conduit into the MSD for the capillary column. It is bolted onto the right side of the analyzer chamber, with an O-ring seal. A channel machined into the flange for the seal provides thermal isolation between the heated interface and the O-ring and manifold. The GC/MSD interface is covered by a protective cover which should be left in place.

One end of the GC/MSD interface passes through the side of the gas chromatograph and extends into the GC oven. This end is threaded (thread size is 10 × 32), allowing connection of the column with a nut and ferrule. The other end of the GC/MSD interface fits into the ion source. The last two millimeters of the capillary column extend past the end of the guide tube and into the ionization chamber.

The GC/MSD interface is heated by an electric cartridge heater. The heater is powered and controlled by Thermal Aux #2 heated zone of the 6890 Series GC. The GC/MSD interface temperature can be set from the MSD ChemStation or from the keypad of the gas chromatograph. A sensor (thermocouple) in the GC/MSD interface monitors the temperature.

The GC/MSD interface should be operated in the 250° to 350°C range. Subject to that restriction, the GC/MSD interface temperature should be slightly higher than the maximum GC oven temperature, but **never** higher than the maximum column temperature.

### See Also

*To install a capillary column in the GC/MSD interface, 28*

---

### CAUTION

---

Never exceed the maximum column temperature, either in the interface or the GC oven.

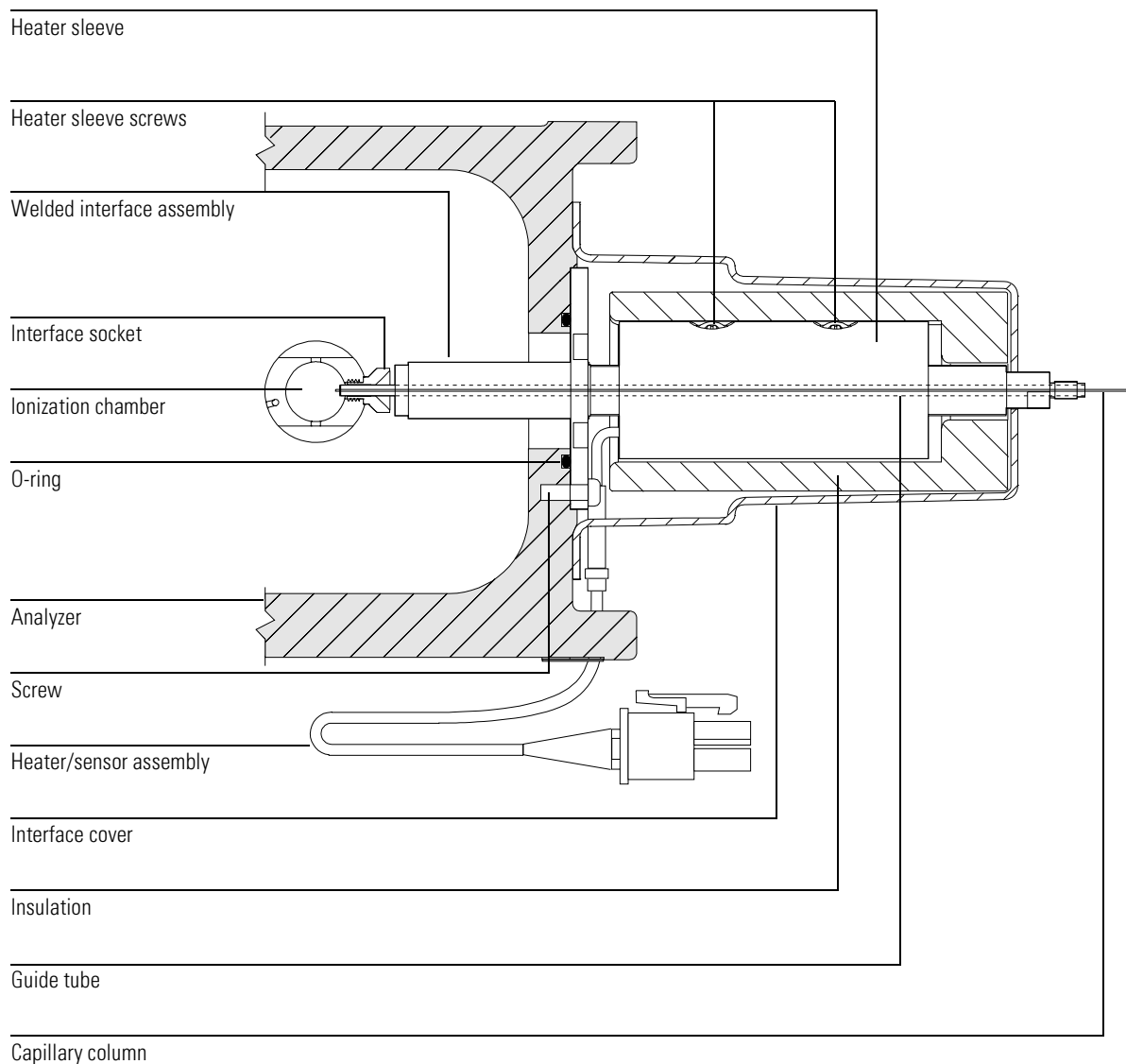
---

### WARNING

---

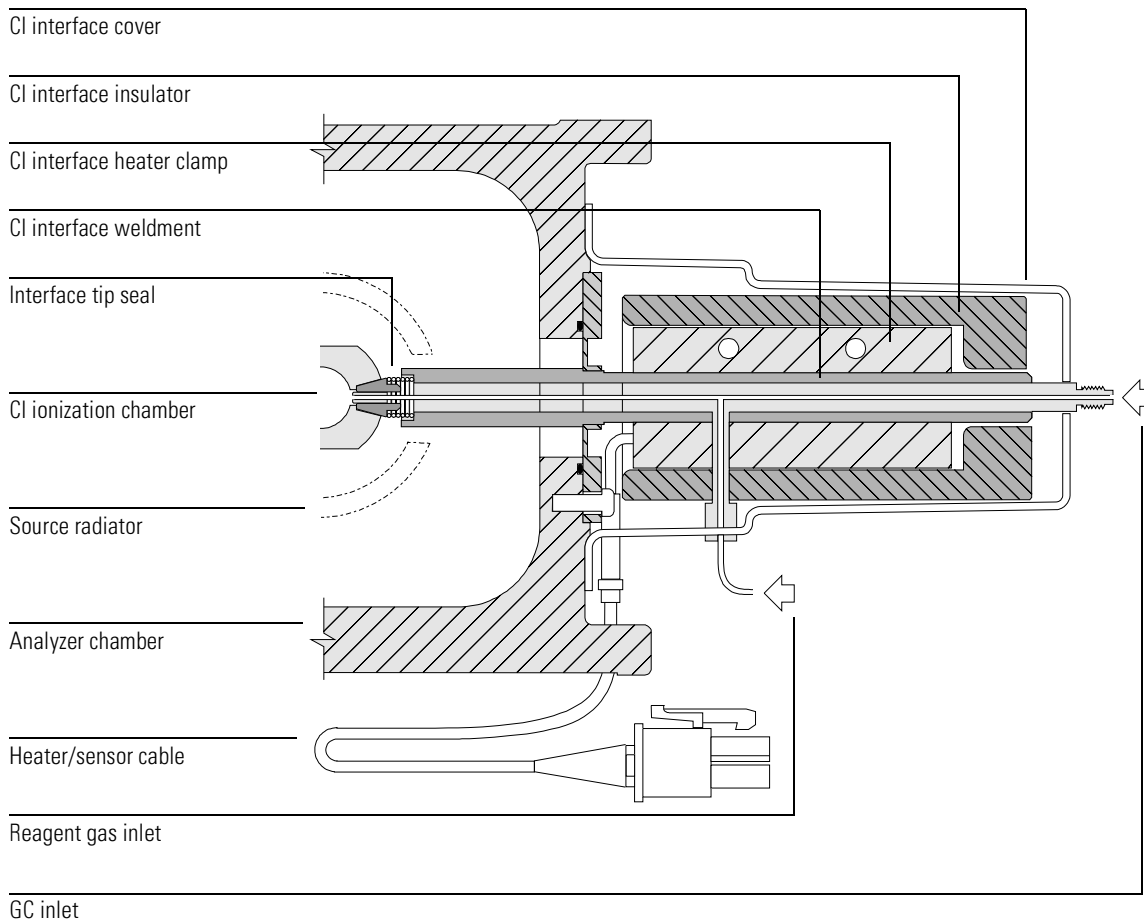
**The GC/MSD interface operates at high temperatures. If you touch it when it is hot, it will burn you.**

## EI GC/MSD interface



## EI/CI GC/MSD interface (CI interface)

The CI interface mounts onto the side of the analyzer chamber, with one end in the GC oven and the other in the MSD. Reagent gas is plumbed into the interface. The tip of the interface assembly extends into the ionization chamber. A spring-loaded seal keeps reagent gases from leaking out around the tip. The reagent gas is plumbed into the interface body, and mixes with carrier gas and sample in the ion source. This interface is also used for EI operation in CI MSDs.



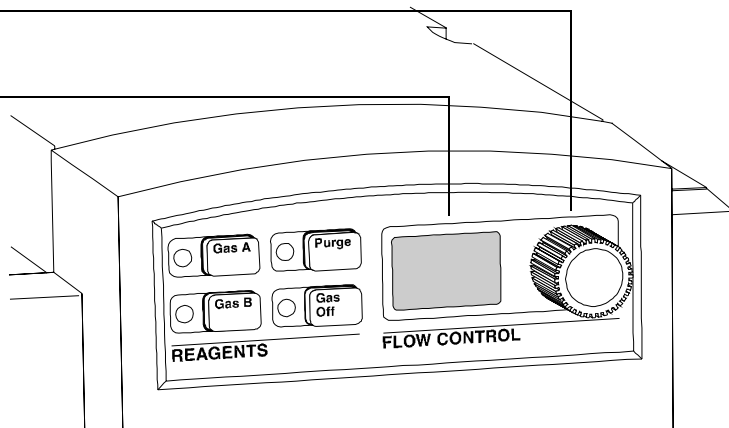
## Reagent gas flow control module

The CI reagent gas flow control module regulates the flow of reagent gas into the EI/CI GC/MSD interface. The flow control module consists of a mass flow controller (MFC), gas select valves, CI calibration valve, isolation valve, control panel, and display electronics, and plumbing. The back panel provides Swagelok inlet fittings for methane and one other reagent gas. The other fittings in the flow module are VCR fittings; VCR fittings have a disposable gasket that must be replaced every time the seal is opened. Operation of the flow module is through the control panel on the front. **Gas A** must be plumbed with Methane. **Gas B** can be plumbed with any other reagent gas.

Operation of the flow module is through the control panel on the front.

Flow control knob

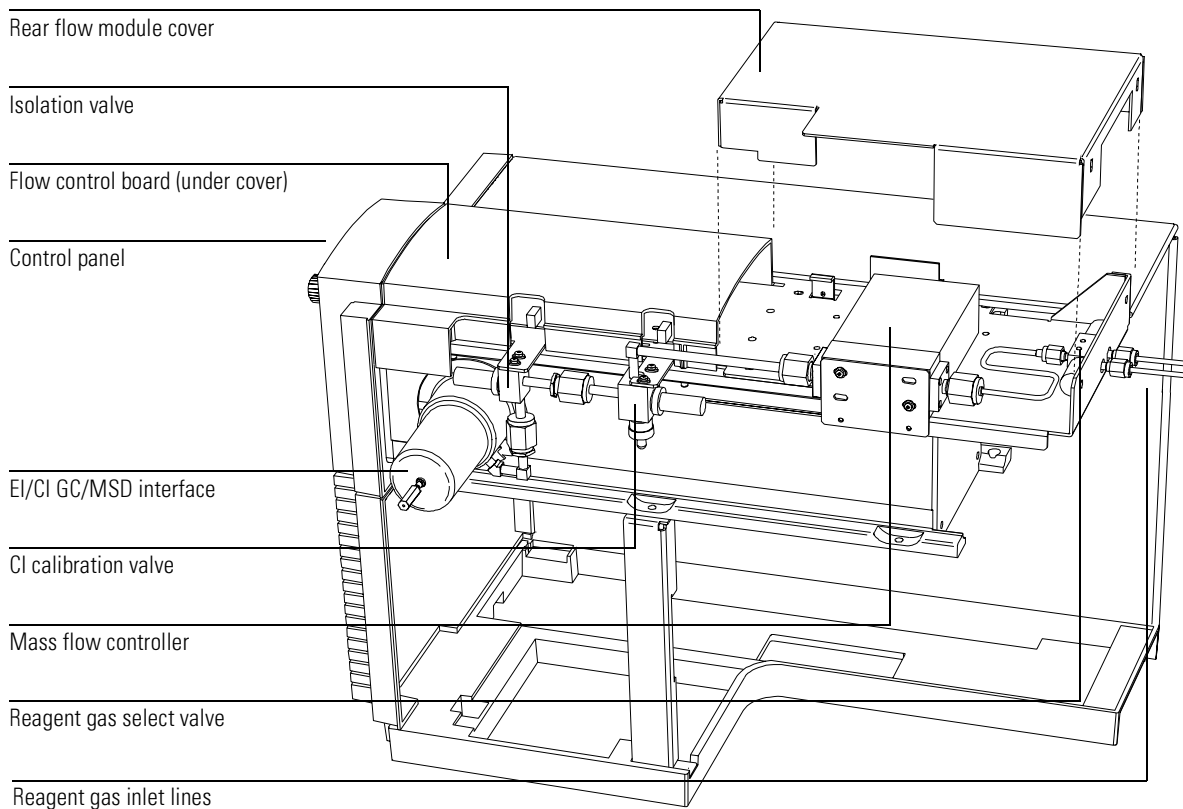
Flow control display



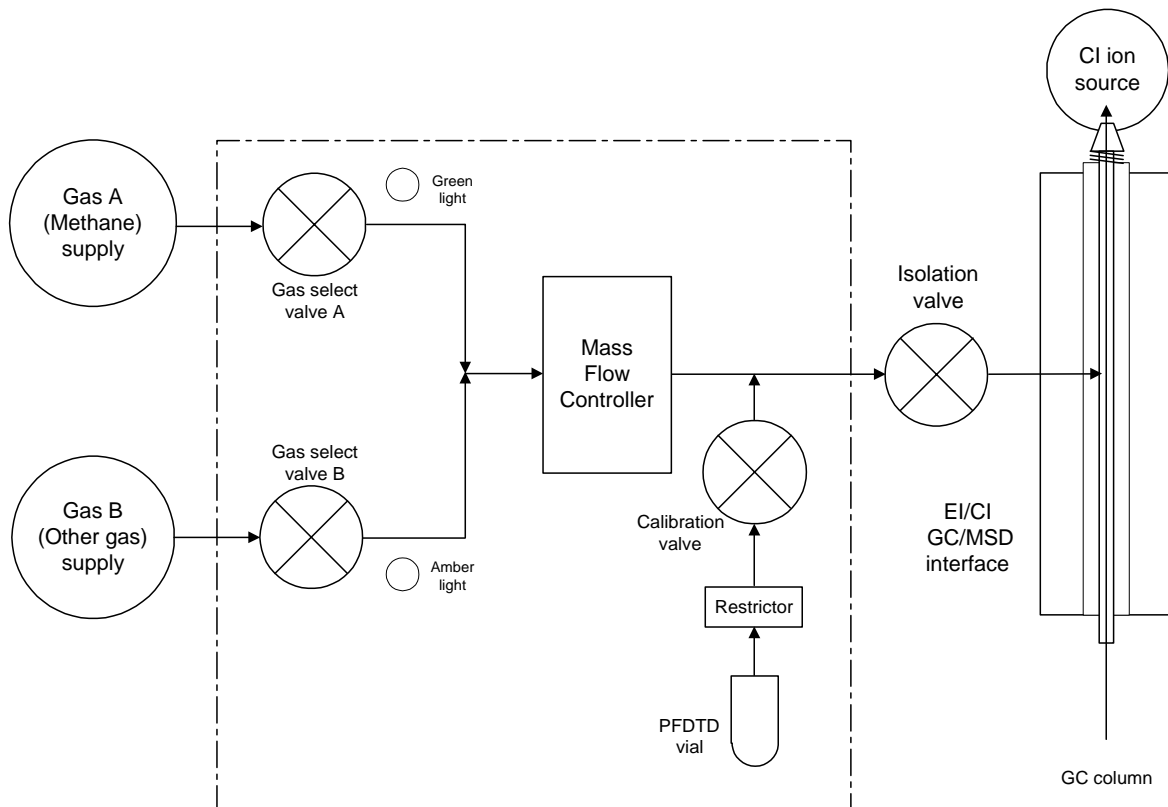
- Each button on the control pane has an LED (light) next to it. When that button is active, the light is on.
- **Gas A** or **Gas B** opens the chosen gas select valve. Only one can be open at a time.
- **Gas Off** closes the gas select and isolation valves. **Gas Off** also sets the MFC to 0% flow, unless **Purge** is on. The **Gas Off** LED must be off to turn on **Gas A** or **Gas B**.
- The flow control knob is used to adjust the flow. When no gases are turned on the Flow Control display will show dashes: --.
- **Purge** sets the MFC to 100% of total flow (fully open), regardless of the position of the flow control knob or the state of the select valves.
- The flow control display shows the gas flow as a percentage of the total possible flow (5 ml/min for *methane*). If the display is flashing, the controller cannot maintain the selected flow. This usually means that the reagent gas supply does not have high enough pressure.

**Reagent gas flow control module**

- The flow control knob adjusts the gas flow. If the selected flow rate can not be achieved or maintained, the numbers in the flow control display will flash.
- The CI calibration valve is controlled by the ChemStation software, and opens automatically during CI autotune or manual tuning, allowing PFDTD to diffuse into the ion source.
- The isolation valve prevents contamination of the flow control module by atmosphere while the MSD is vented or by PFTBA during EI operation.

**CAUTION**

Try to avoid tuning any more often than absolutely necessary to minimize PFDTD background and ion source contamination.

**Reagent gas flow control module****Reagent gas flow control module schematic**

When you turn off one gas and turn on the other, the system sets a 6-minute delay with **Gas Off** and **Purge** both on to pump out the flow control module. The light for the selected reagent gas will flash, indicating the delay timer is active. Once the delay is finished, the **Purge** and **Gas Off** lights will turn off, and the light for the selected gas will stop flashing and stay on.

When the MSD is turned off, all valves are closed, and all lights are off. At startup, all valves are closed and all lights are off, except **Gas Off**.

The flow control board remembers the flow setting for each gas. When either gas is selected, the control board automatically sets the same flow that was used for that gas last time.

**Reagent gas flow control module**

<b>Flow control module state diagram:</b>						
Result	Gas A flows	Gas B flows	Purge with Gas A	Purge with Gas B	Pump out flow module	Standby, vented, or EI mode
Control panel lights (LEDs)						
Gas A (green)	On	Off	On	Off	Off	Off
Gas B (amber)	Off	On	Off	On	Off	Off
Purge (red)	Off	Off	On	On	On	Off
Gas Off (red)	Off	Off	Off	Off	On	On
Valve state						
Valve A	Open	Closed	Open	Closed	Closed	Closed
Valve B	Closed	Open	Closed	Open	Closed	Closed
MFC	On → setpoint	On → setpoint	On → 100%	On → 100%	On → 100%	Off (→0%)
Isolation valve	Open	Open	Open	Open	Open	Closed



Ion source, 300

CI ion source, 306

Quadrupole mass filter, 308

Detector, 312

Analyzer heaters and radiators, 314

---

## Analyzer

This chapter describes the parts of the analyzer

---

# Analyzer

## ***The analyzer is the heart of the MSD***

The analyzer ionizes the sample, filters the ions, and detects them. The sample components exiting the GC column flow into the ion source. In the ion source, the sample molecules are ionized and fragmented. The resulting positive ions are repelled from the ion source into the quadrupole mass filter. The mass filter allows selected ions to pass through the filter and strike the detector. The detector generates a signal current proportional to the number of ions striking it.

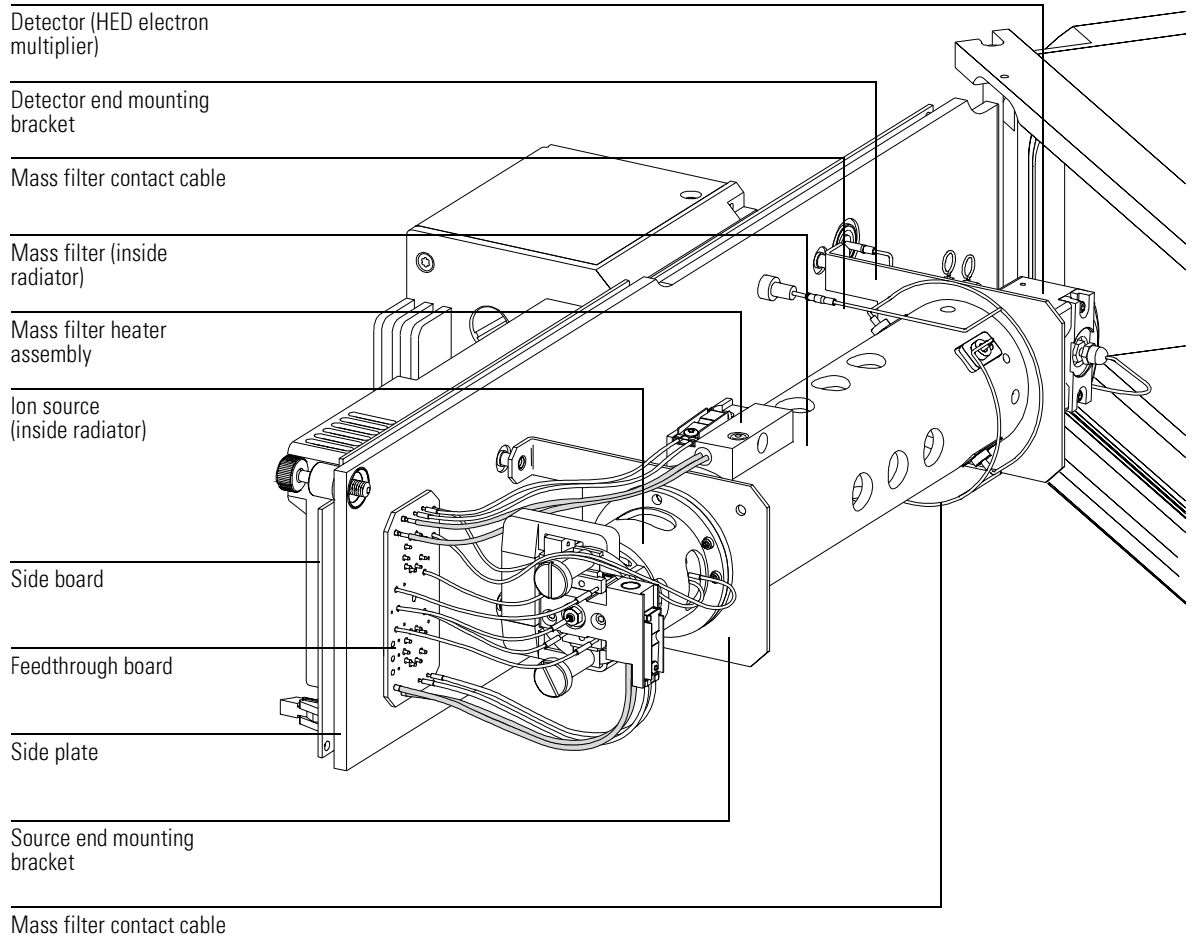
The analyzer is attached to the vacuum side of the side plate. The side plate is hinged to allow easy access to the analyzer. Both the ion source and the mass filter are independently heated. Each is mounted inside a radiator for correct heat distribution.

Each of the parts of the analyzer is discussed in the following material.

## ***The analyzer has four basic components***

The analyzer consists of the following components:

- Ion source
- Mass filter
- Detector
- Heaters and radiators

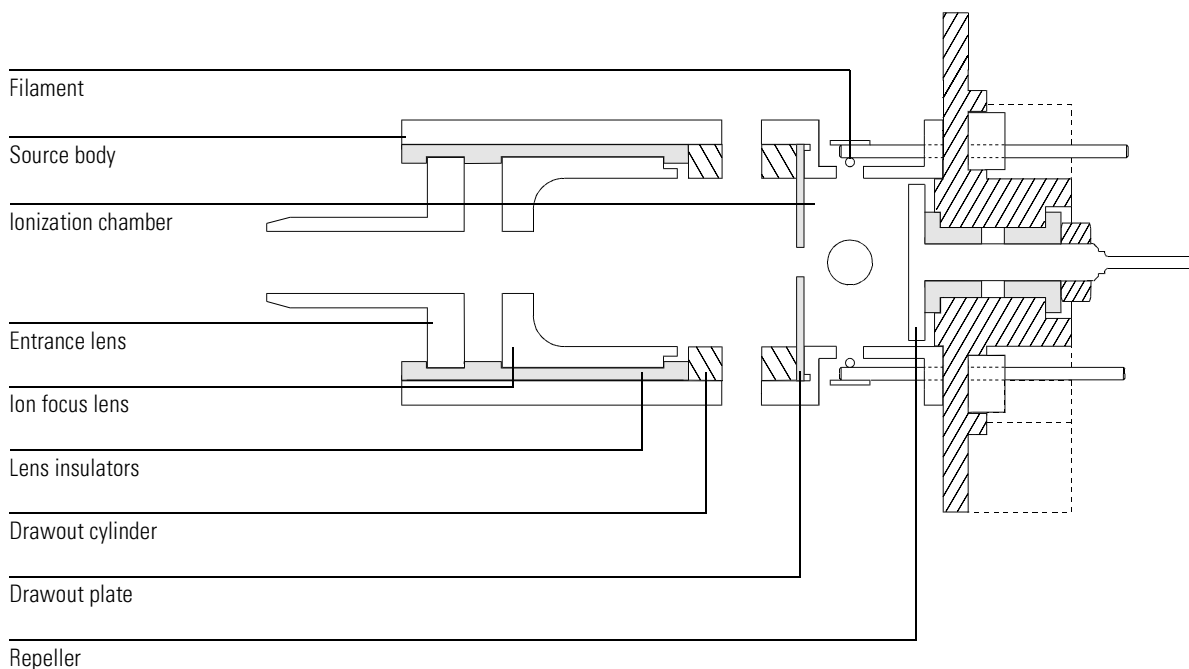


## Ion source

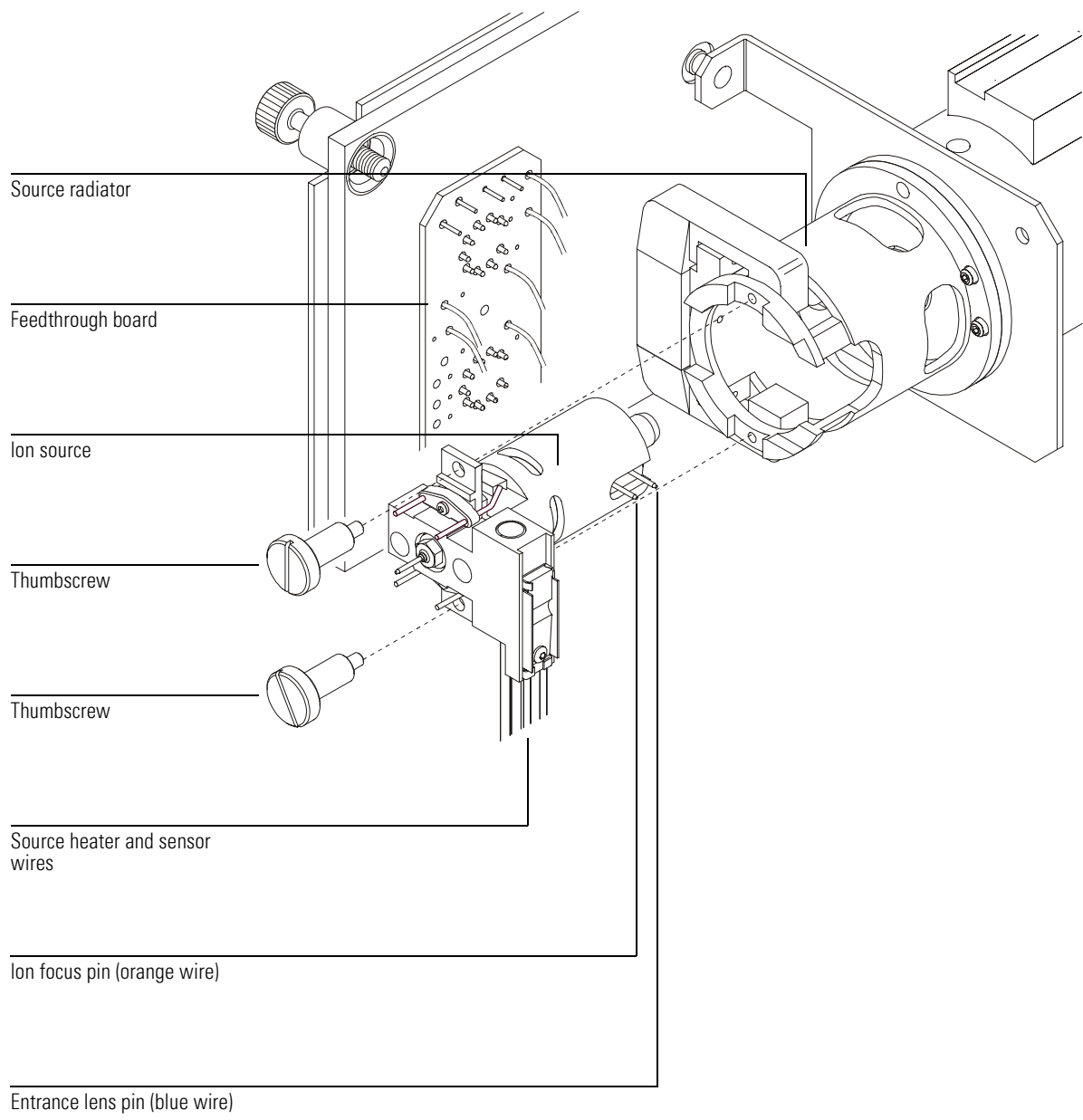
The ion source operates by electron ionization (EI). The sample enters the ion source from the GC/MSD interface. Electrons emitted by a filament enter the ionization chamber, guided by a magnetic field. The high-energy electrons interact with the sample molecules, ionizing and fragmenting them. The positive voltage on the repeller pushes the positive ions into the lens stack, where they pass through several electrostatic lenses. These lenses concentrate the ions into a tight beam, which is directed into the mass filter.

### Ion source body

The ion source body is a cylinder. Its cylindrical geometry ensures proper alignment of the lens stack. It holds the other parts of the ion source. With the repeller and the drawout plate, it forms the ionization chamber. The ionization chamber is the space where the ions are formed. Slots in the source body help the vacuum system to pump away carrier gas and un-ionized sample molecules or fragments.



**Ion source**



## Filaments

Two filaments are located on opposite sides of the outside of the ion source. The **active** filament carries an adjustable ac emission current. The emission current heats the filament, causing it to emit electrons; these electrons ionize the sample molecules. In addition, **both** filaments have an adjustable dc bias voltage. The bias voltage determines the energy on the electrons, usually -70 eV.

The CI ion source has only one filament of a different design from the EI filaments. A “dummy” filament provides connections for the Filament 2 wires.

The filament is shut off automatically if there is a general instrument shutdown. There are three parameters that affect the filaments: filament selection (**Filament**), filament emission (**Emission**) current, and electron energy (**EleEnergy**).

### *Filament selection*

The filament selection parameter (**Filament**) allows you to select which filament in the ion source is active.

Sometimes, one filament will give better performance than the other. To select the better of the two filaments, run two autotunes, one with each filament. Use the filament that gives the best results.

### *Emission current*

The filament emission current (**Emission**) is variable between 0 and -315  $\mu\text{A}$ , but should be set to the software default for normal operation.

### *Electron energy*

The electron energy (**EleEnergy**) is the amount of energy on the ionizing electrons. The electron energy is determined by the bias voltage; -70 V dc bias on the filament causes emitted electrons to possess -70 eV (electron volts). This value is adjustable between -5 to -241 V dc, but for normal operation, set this parameter to 70.

### ***Filament care***

Like the filaments in incandescent light bulbs, the ion source filaments will eventually burn out. Certain practices will reduce the chance of early failure:

- If you have an optional 59864B Gauge Controller, use it to verify that the system has an adequate vacuum before turning on the analyzer, especially after any maintenance has been performed.
- If you are controlling your MSD from the Edit Parameters screen, always select **MSOff** before changing any of the filament parameters.
- When setting up data acquisition parameters, set the solvent delay so that the analyzer will **not** turn on while the solvent peak is eluting.
- When the software prompts **Override solvent delay?** at the beginning of a run, **always** select **NO**.
- Higher emission current will reduce filament life.
- Higher electron energy will reduce filament life.
- Leaving the filament on for short times ( $\leq 1$  minute) during data acquisition will reduce filament life.

### **Magnet**

The field created by the magnet directs the electrons emitted by the filament into and across the ionization chamber. The magnet assembly is a permanent magnet with a charge of 350 gauss in the center of the field.

### **Repeller**

The repeller forms one wall of the ionization chamber. A positive charge on the repeller pushes positively-charged ions out of the source through a series of lenses. The repeller voltage is also known as the ion energy, although the ions only receive about 20% of the repeller energy. The repeller voltage can be varied from 0 to +42.8 V dc. Some tune programs use a fixed repeller voltage. Others ramp the repeller voltage to find the optimum setting.

- Setting repeller voltage too low results in poor sensitivity and poor high mass response.
- Setting repeller voltage too high results in precursors (poor mass filtering) and poor low mass resolution.

**Ion source****Drawout plate and cylinder**

The drawout plate forms another wall of the ionization chamber. The ion beam passes through the hole in the drawout plate and into the drawout cylinder. The drawout cylinder is slotted. The slots correspond to slots in the source body. These slots allow carrier gas and un-ionized sample molecules or fragments to be pulled away by the vacuum system. The drawout plate and drawout cylinder are both at ground potential.

**Ion focus**

The voltage on the ion focus lens can be varied from 0 to -127 V dc. A typical voltage is between -70 and -90 V dc. In general:

- Increasing the ion focus voltage improves sensitivity at lower masses.
- Decreasing the ion focus voltage improves sensitivity at higher masses.
- Incorrect ion focus adjustment results in poor high mass response.

**Entrance lens**

The entrance lens is located at the entrance to the quadrupole mass filter. This lens minimizes the fringing fields of the quadrupole which discriminate against high-mass ions. There is a permanent +4.4 volt voltage added to the entrance lens. The total voltage applied to the entrance lens is the sum of the entrance lens offset and entrance lens gain and the +4.4 volt permanent offset.

$$\text{Entrance lens voltage} = +4.4 \text{ V dc} + \text{offset} + (\text{gain} \times \text{mass})$$

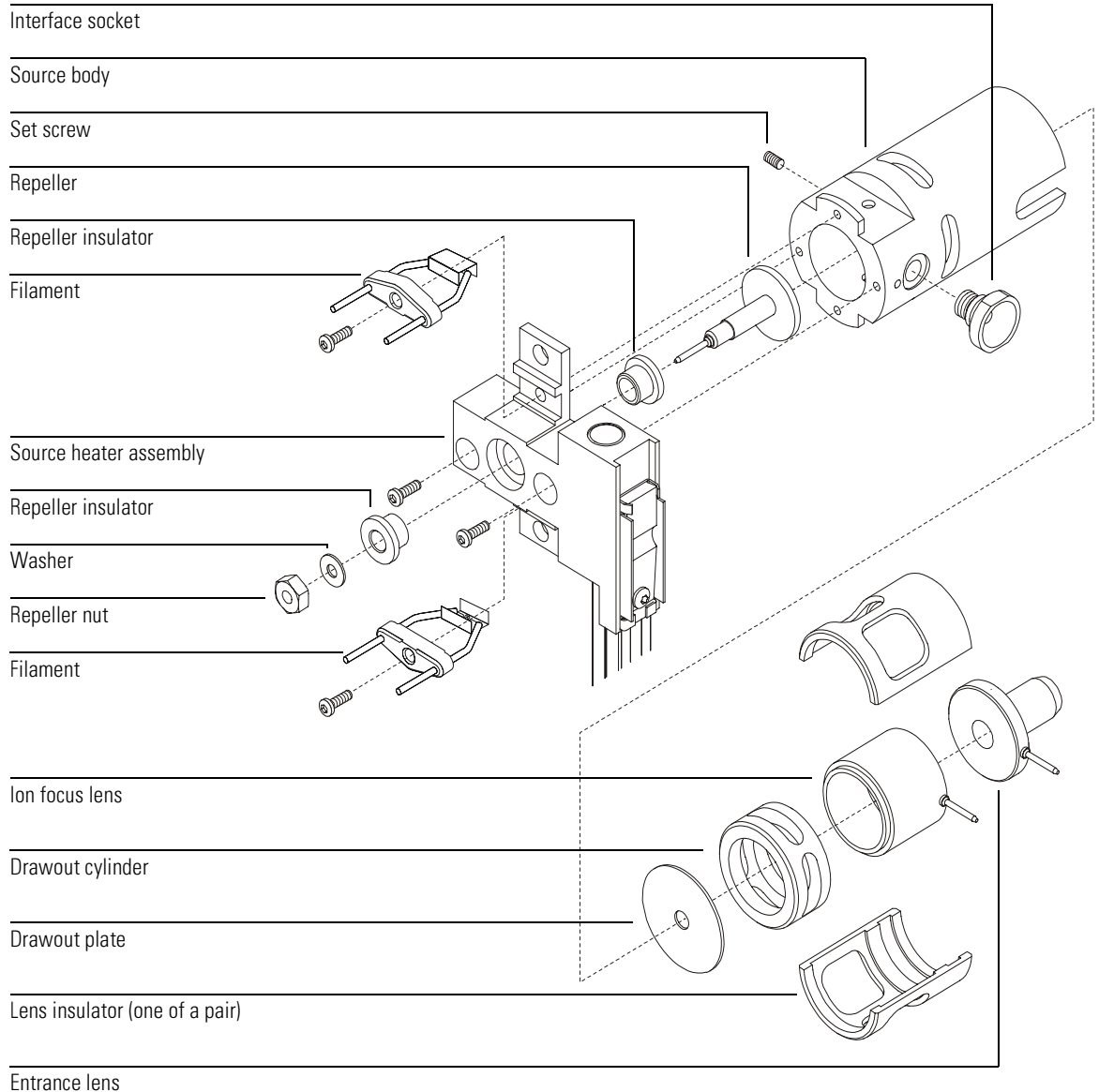
***Entrance lens offset***

The entrance lens offset (**EntOff**) controls the fixed voltage applied to the entrance lens. It can be varied from 0 to -64 V dc (-20 V is typical). Increasing the entrance lens offset generally increases the abundance of ions at low masses without substantially decreasing the abundance of high mass ions.

***Entrance lens gain***

Entrance lens gain (**EntLens**) controls the variable voltage applied to the entrance lens. It determines how many volts are applied for each amu. It can be varied from 0 to -128 mV/amu. A typical range is 0 to -40 mV/amu.

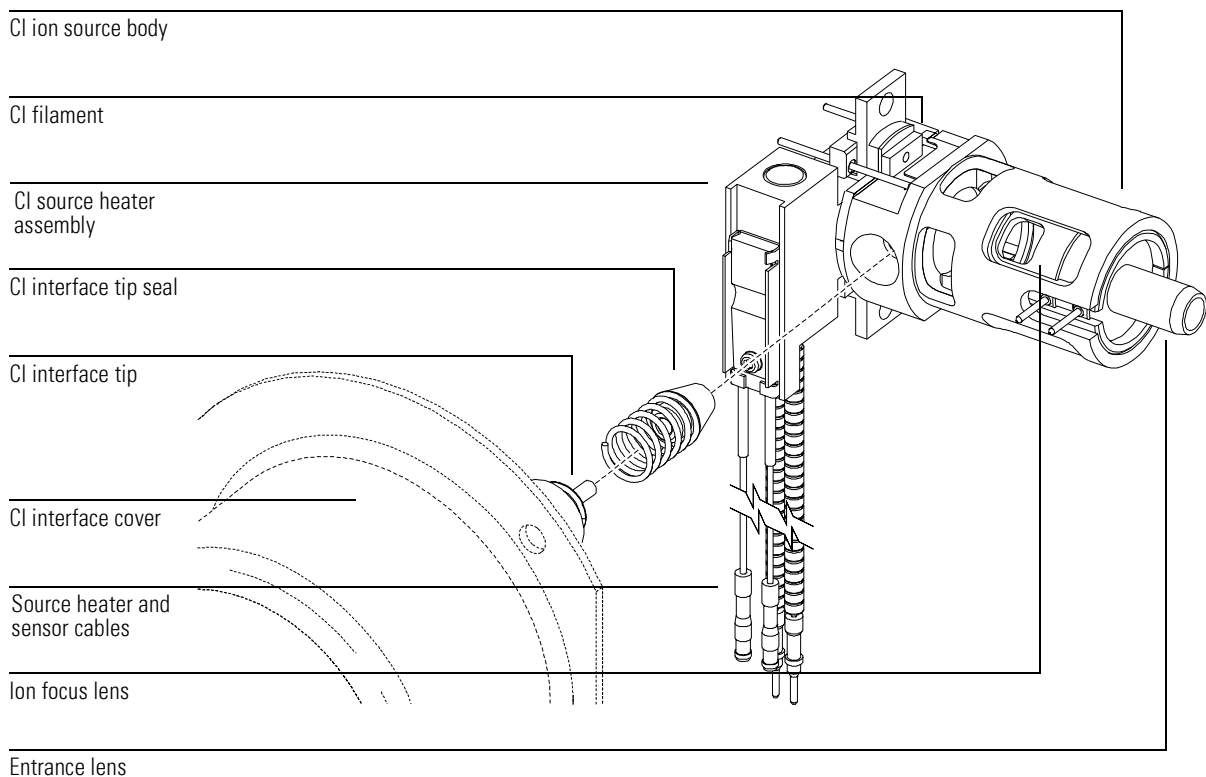


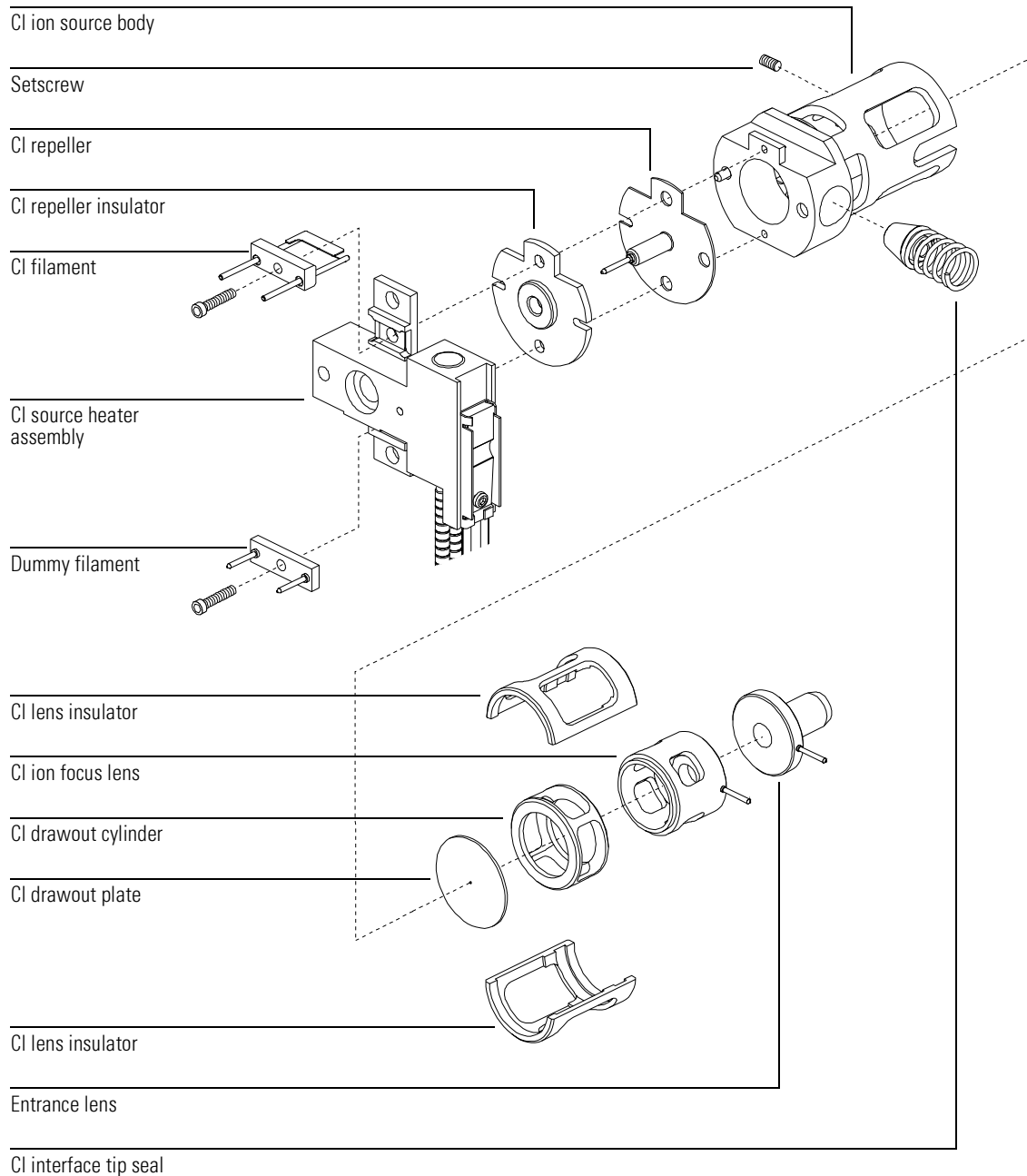


## CI ion source

The CI ion source is similar to the EI source, but only has one part in common with the EI source — the entrance lens. The single CI filament has a straight wire and a reflector. There is a “dummy” filament to provide connections for the other wires.

The holes in the ion source (electron-entrance and ion-exit) are very small (0.5 mm), making it possible to pressurize the ionization chamber. Both the source body and the plate are at repeller potential, electrically isolated from the radiator and the CI interface tip. The seal for the interface tip ensures a leak-tight seal and electrical isolation between the CI interface and ion source.





## Quadrupole mass filter

The mass filter separates ions according to their mass-to-charge ratio ( $m/z$ ). At a given time, only ions of a selected mass-to-charge ratio can pass through the filter to the detector. The mass filter in the MSD is a quadrupole.

The quadrupole is a fused-silica (quartz) tube coated with a thin layer of gold. The four hyperbolic surfaces create the complex electric fields necessary for mass selection. Opposing segments are connected; adjacent segments are electrically isolated. One pair has positive voltages applied, the other negative.

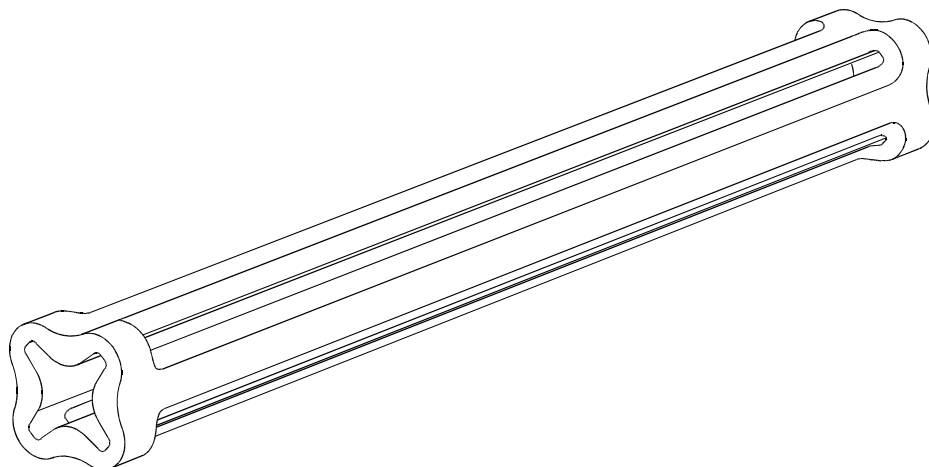
A combined direct current (dc) and radio frequency (RF) signal is applied to the two pairs of segments. The magnitude of the RF voltage determines the mass-to-charge ratio of the ions that pass through the mass filter and reach the detector. The ratio of dc-to-RF voltage determines the resolution (widths of the mass peaks). There are several parameters that control the dc and RF voltages. All these parameters are set by Autotune, but also can be manually adjusted in the Edit Parameters window:

- AMU gain (**AmuGain**)
- AMU offset (**AmuOffs**)
- 219 width (**Wid219**)
- DC polarity (**DC Pol**)
- Mass (axis) gain (**MassGain**)
- Mass (axis) offset (**MassOffs**)

### AMU gain

AMU gain (**AmuGain**) affects the ratio of dc voltage to RF frequency on the mass filter. This controls the widths of the mass peaks.

- Higher gain yields narrower peaks.
- AMU gain affects peaks at high masses more than peaks at low masses.



### AMU offset

AMU offset (**AmuOffs**) also affects the ratio of dc voltage to RF frequency on the mass filter.

- Higher offset yields narrower peaks.
- AMU offset generally affects peak widths equally at all masses.

### 219 width

$m/z$  219 is a prominent ion near the middle of the mass range of PFTBA. The width parameter (**Wid219**) makes small corrections to the  $m/z$  219 peak width. Amu gain and amu offset must be readjusted after the 219 width is changed. If you are tuning with a compound other than PFTBA, there may not be an ion at  $m/z$  219. In that case, set the 219 width to the last value found for it by Autotune or set it to 0.

**Quadrupole mass filter****DC polarity**

The dc polarity (**DC Pol**) parameter selects the orientation of the direct current applied to the quadrupole mass filter. The dc polarity that works best for your MSD is determined at the factory. It is listed on the final test sheet accompanying your MSD. It is also listed on a label on the cover over the RF coils. This cover can be viewed by removing the upper MSD cover.

---

**CAUTION**

---

Using the non-preferred dc polarity may result in very poor performance. Always use the factory-specified polarity.

**Mass (axis) gain**

Mass gain (**MassGain**) controls the mass assignment, that is, assignment of a particular peak to the correct  $m/z$  value.

- A higher gain yields higher mass assignment.
- Mass gain affects peaks at high masses more than peaks at low masses.

**Mass (axis) offset**

Mass offset (**MassOffs**) also controls the mass assignment.

- A higher offset yields higher mass assignment.
- Mass offset generally affects peaks equally at all masses.

## Quadrupole maintenance

The mass filter requires no periodic maintenance. It should not be removed from the radiator. If **absolutely** necessary (that is, if the only alternative is replacement), the quadrupole can be cleaned. Cleaning must be performed by Agilent Technologies service personnel.

---

**CAUTION**

---

**Never** put the quadrupole in an ultrasonic cleaner.

---

**CAUTION**

---

**Never** change the physical orientation of the quadrupole mass filter.

---

**CAUTION**

---

The fused-quartz quadrupole is fragile and will break if dropped or handled roughly.

---

**CAUTION**

---

The material in the cusps of the quadrupole is very hygroscopic. If exposed to water, the quadrupole must be dried **very** slowly to prevent damage.

## Detector

The detector in the MSD analyzer is a high energy conversion dynode (HED) coupled to an electron multiplier (EM). The detector is located at the exit end of the quadrupole mass filter. It receives the ions that have passed through the mass filter. The detector generates an electronic signal proportional to the number of ions striking it. The detector has three main components: the detector focus lens, the high energy dynode, and the electron multiplier horn.

### **Detector focus lens**

The detector focus lens directs the ion beam into the HED, which is located off axis. The voltage on the detector focus lens is fixed at -354 V.

### **High energy dynode**

The high energy dynode (HED) operates at -10,000 volts for EI and PCI, and +10,000 volts for NCI. The HED is located off-axis from the center of the quadrupole mass filter to minimize signals due to photons, hot neutrals, and electrons coming from the ion source. When the ion beam hits the HED, electrons are emitted. These electrons are attracted to the more positive electron multiplier horn. Do not touch the ceramic insulator.

### **Electron multiplier horn**

The electron multiplier horn carries a voltage of up to -3000 volts at its opening and 0 volts at the other end. The electrons emitted by the HED strike the EM horn and cascade through the horn, liberating more electrons as they go. At the far end of the horn, the current generated by the electrons is carried through a shielded cable outside the analyzer to the signal amplifier board.

The voltage applied to the electron multiplier horn determines the gain. The voltage is adjustable from 0 to -3000 V dc. Use the electron multiplier voltage found in autotune as a baseline for the electron multiplier voltage setting.

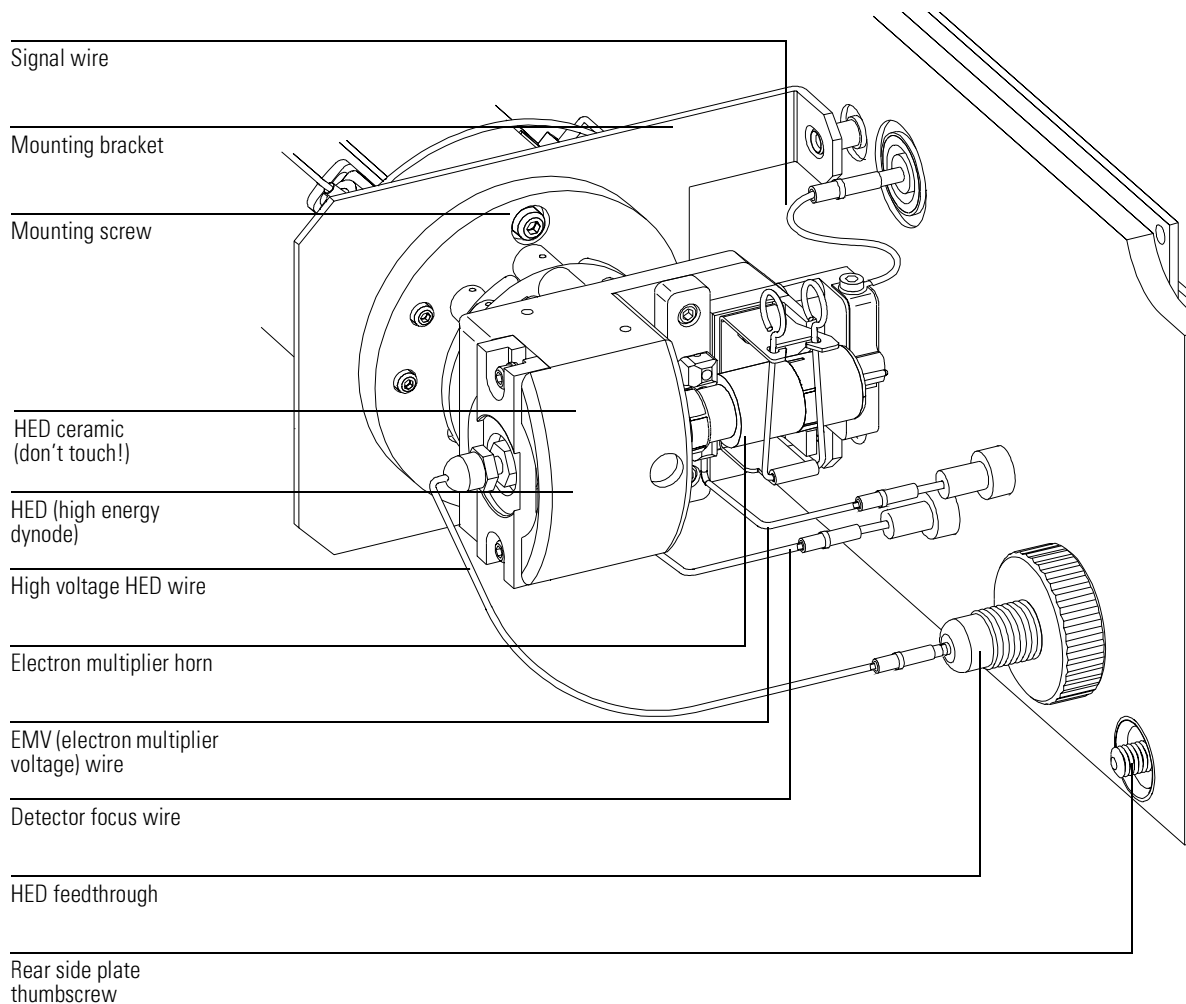
- To increase signal strength, increase the electron multiplier voltage.
- For concentrated samples where less signal strength is needed, decrease the electron multiplier voltage.



As the EM horn ages, the voltage (**EMVolts**) required by the electron multiplier increases over time. If the electron multiplier voltage must always be set at or near -3000 V dc to complete Autotune, with no other probable cause, it may need to be replaced. Check your tune charts for gradual degradation, which indicates wearing out. Select **View Tunes** from the Qualify menu in the Instrument Control view to see the tune charts. Sudden changes usually indicate a different type of problem.

### See Also

*Troubleshooting (5973N MSD)* in the online help for more information about symptoms that may indicate electron multiplier problems.



## Analyzer heaters and radiators

The ion source and mass filter are housed in cylindrical aluminum tubes called radiators. The radiators control the distribution of heat in the analyzer. They also provide electrical shielding for analyzer components. The source heater and temperature sensor are mounted in the source heater block. The mass filter (quad) heater and temperature sensor are mounted on the mass filter radiator. Analyzer temperatures can be set and monitored from the MSD ChemStation.

In selecting the temperatures to use, consider the following:

- Higher temperatures help keep the analyzer clean longer.
- Higher ion source temperatures result in more fragmentation and therefore lower high-mass sensitivity.

After pumpdown, it takes at least 2 hours for the analyzer to reach thermal equilibrium. Data acquired sooner may not be reproducible.

Recommended settings (for EI operation):

- Ion source 230°C
- Quadrupole 150°C

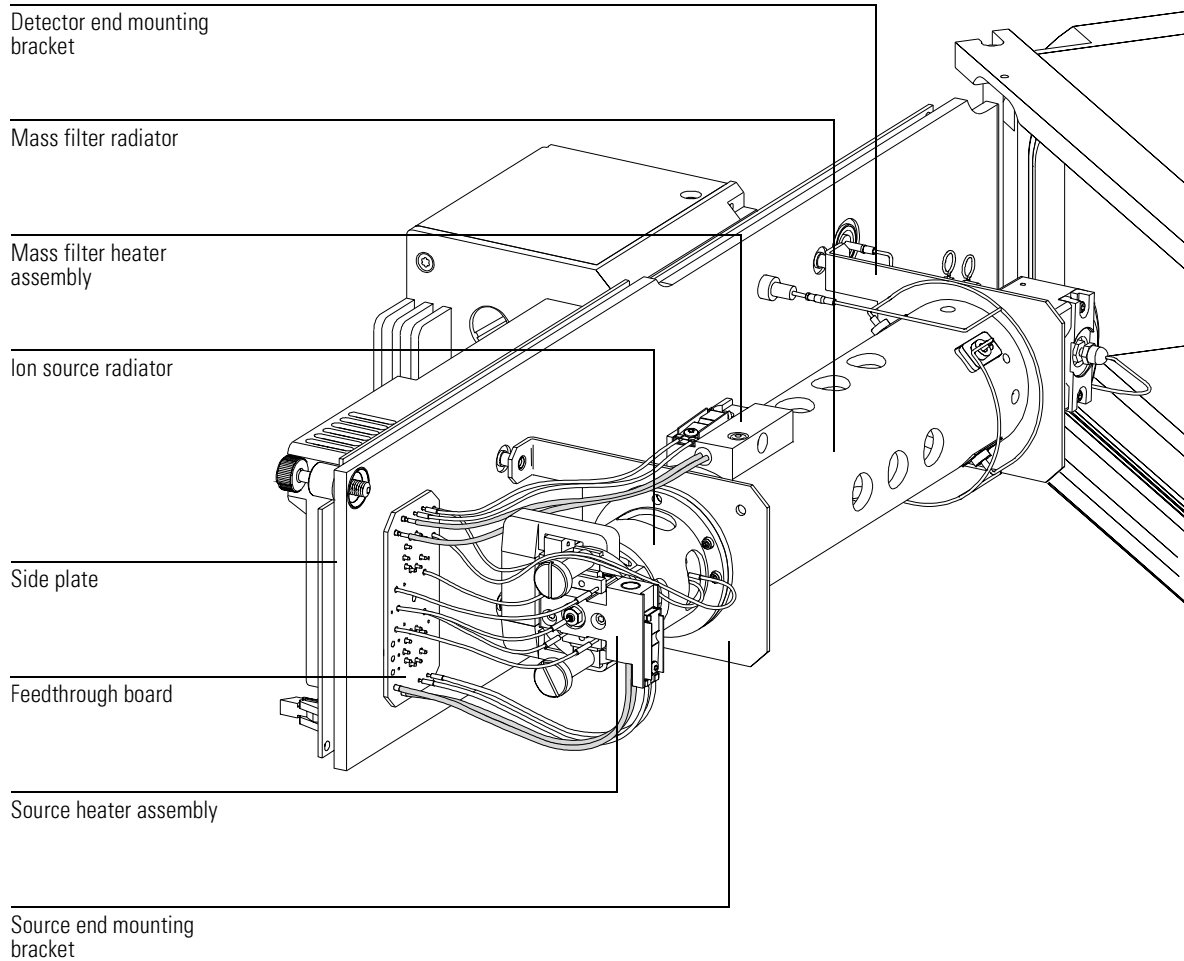
---

**CAUTION**

---

Do not exceed 200°C on the quadrupole or 250°C on the ion source.

The GC/MSD interface, ion source, and mass filter (quad) heated zones interact. The analyzer heaters may not be able to accurately control temperatures if the set-point for one zone is much lower than that of an adjacent zone.





Control panel and power switch, 320  
Side board, 322  
Electronics module, 323  
Main board, 324  
Signal amplifier board, 325  
AC board, 326  
Turbo pump control, 326  
Diffusion pump control, 328  
Pumpdown failure shutdown, 328  
LAN/MSD control card, 330  
Power supplies, 331  
Toroid transformer, 331  
Back panel and connectors, 332  
Interfacing to external devices, 334

---

## Electronics

This chapter describes the MSD electronics

---

# Electronics

The following assemblies make up the MSD electronics:

- Control panel and power switch
- Electronics module
- Main board
- Signal amplifier board
- LAN/MS control card
- AC board
- Turbo pump controller
- Low voltage (ac-dc) power supply
- High voltage (HED) power supply
- Toroid transformer assembly
- Back panel connectors
- Side board

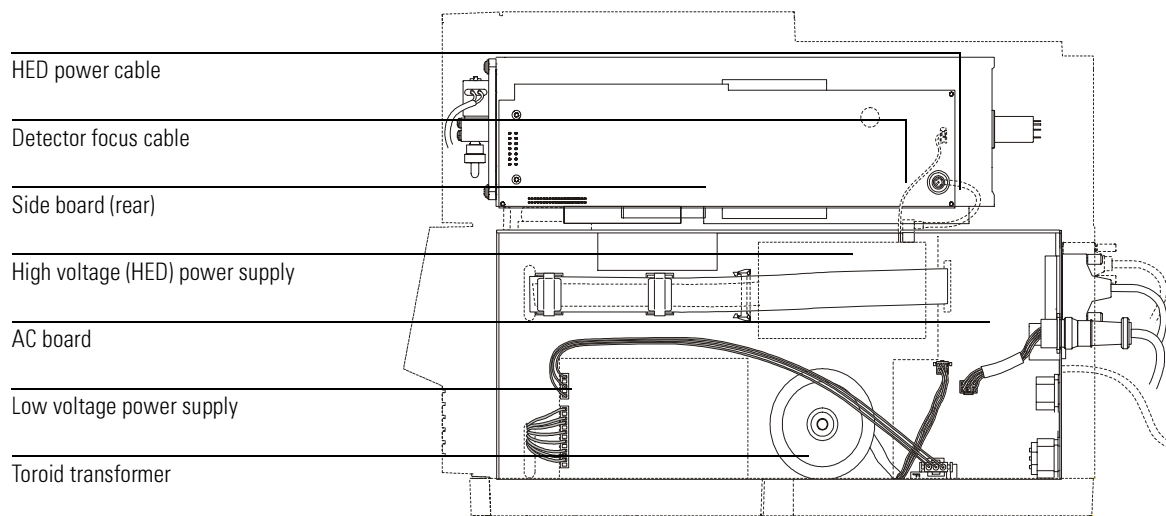
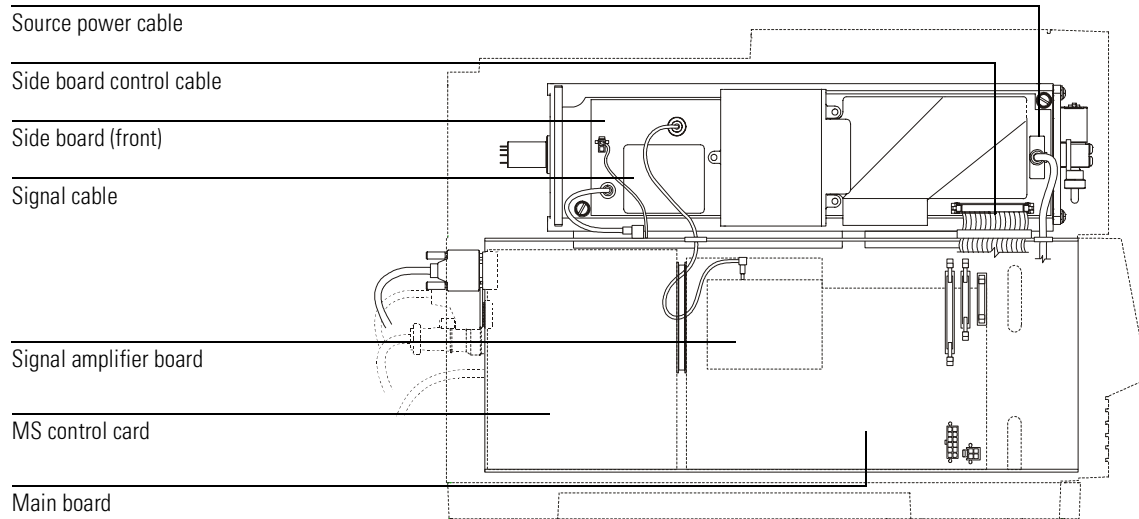
Each is discussed in this chapter. Except for the *Back panel and connectors*, *Status display and power switch*, and *Interfacing to other devices* sections, most of this material is not essential for day-to-day operation of the MSD. It may be of interest to persons responsible for servicing the MSD.

---

## WARNING

---

**Dangerous voltages are present under the safety covers. Do not remove safety covers. Refer servicing to your Agilent Technologies service representative.**



## Control panel and power switch

### Control panel

The MSD has a control panel on the front of the instrument.

You can view MSD system status, and perform some control functions from the control panel.

Functions available through the control panel include

- Prepare to vent (cool analyzer and turn off high vacuum pump)
- Monitor MSD status
- Run autotune
- Run method
- Run sequence
- View and set analyzer temperatures

### See also

The *5973N MSD Control Panel Quick Reference*

### Power switch

The power switch is part of the electronics module, and is located on the lower left of the front of the MSD. It is used to switch the MSD and foreline pump on and off.

---

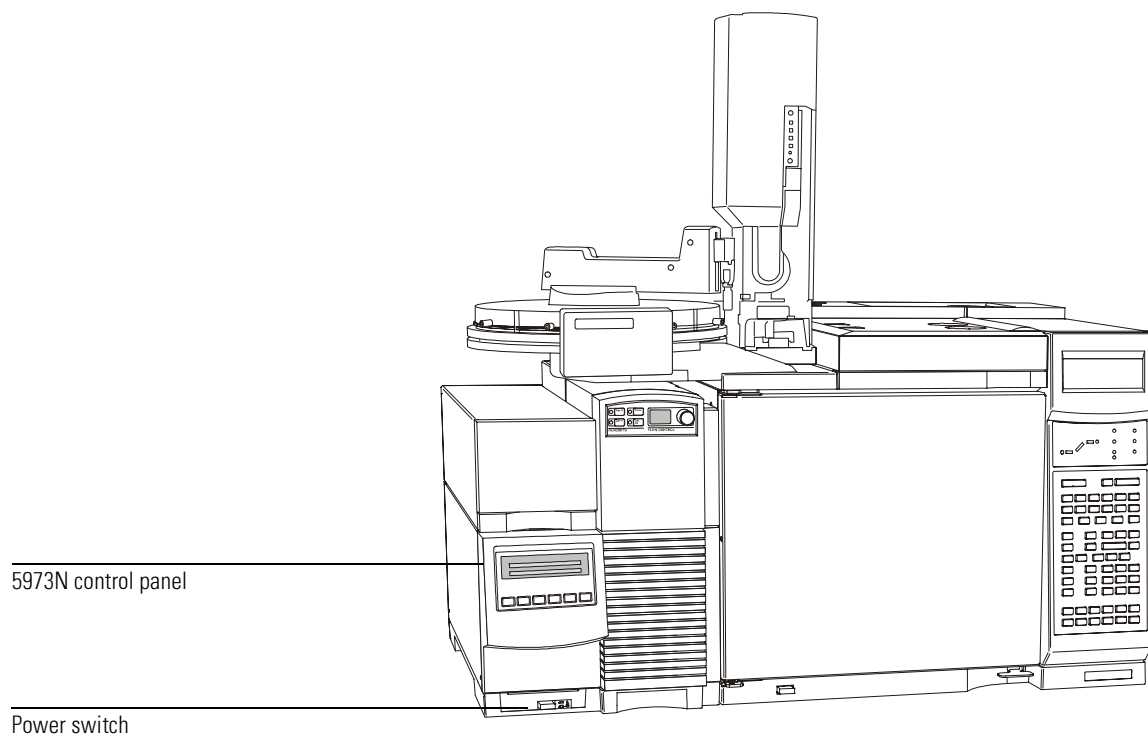
### CAUTION

---

Do not switch the MSD off unless it has completed the vent program. Incorrect shutdown can seriously damage the MSD.



**Control panel and power switch**



## Side board

The side board is mounted on the side plate. It performs the following functions:

- Provides the 1 MHz reference clock for the RF amplifier.
- Generates the RF component of the voltage applied to the quadrupole mass filter according to a signal from the main board. The amplitude of this voltage is proportional to the mass selected.
- Generates the dc component of the voltage applied to the quadrupole mass filter. The magnitude of this voltage is proportional to the RF voltage.
- Passes voltages generated on the main board, and the detector focus voltage from the HED power supply, to elements in the ion source and the detector.
- Generates and adjusts filament emission current and electron energy as controlled by the main board.
- Switches the filament power from one filament to the other.
- Monitors for RF faults and shuts down the analyzer one is detected.

## Electronics module

Most of the electronics in the MSD are contained in the electronics module. The whole electronics module can be replaced, if necessary, by your Agilent Technologies service representative.

The electronics module contains:

- Main board
- Signal amplifier board
- LAN/MS control card
- AC board (power distribution / vacuum control board)
- Low voltage (ac-dc) power supply
- High voltage (HED) power supply
- Toroid transformer assembly

## Main board

The main board is mounted on the outer side of the electronics module. The main board performs the following functions:

- Receives and decodes digital instructions from the LAN/MS control card.
- Sends digital information to the LAN/MS control card.
- Generates voltages for the ion source lenses.
- Generates control signals for alternate filament selection, filament emission current, and electron energy. Generates control signals for quadrupole RF drive, dc/RF ratio adjustment, dc polarity selection, and all detector voltages.
- Performs analog-to-digital conversion for the coil DIP signal, ion source and mass filter temperature signals, and foreline pressure or turbo pump speed signal.
- Monitors the signals from the vacuum system and fans; and monitors the filament status, HV fault and RF fault signals from the side board. Activates the shutdown line when the analyzer electronics must be disabled.
- Generates the control signals (on and off) used by the ac board for the high vacuum pump and calibration valve.
- Generates  $\pm 280$  V dc (nominal) power for main board lens amplifiers and side board dc amplifiers.
- Supplies and controls the power for the ion source and quadrupole (mass filter) heaters.
- Provides 24 V dc power for the cooling fans.

## Signal amplifier board

The signal amplifier board amplifies the output of the detector. The signal amplifier circuit produces an output voltage of 0 to 10 volts dc, proportional to the logarithm of the input current of 3 picoamps to 50 microamps.

An analog-to-digital converter converts the amplifier output voltage to digital information. The LAN/MS control card “unlogs” the data into abundance counts proportional to the detector signal current.

## AC board

The ac board is mounted on the opposite side of the electronics panel from the LAN/MSD control card. The ac board is also sometimes called the power distribution / vacuum control board. The ac board performs the following functions:

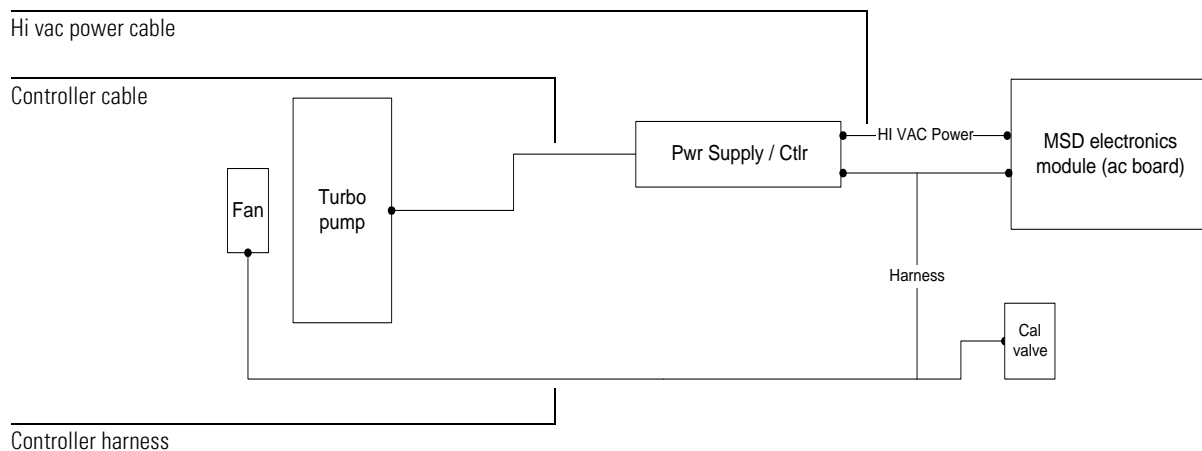
- Provides input voltage transparency for the MSD.
- Distributes ac line power to the ac/dc power supply, the foreline pump, and the turbo pump controller.
- Turns the calibration valve on or off as directed to by the main board.
- Provides the voltage for the calibration valve.
- Provides logic interface to turbo controller.
- Controls the diffusion pump:
  - Controls the foreline gauge.
  - Turns on the diffusion pump once the foreline pressure is low enough, as directed by the main board.
  - Regulates the ac power to the diffusion pump heater.
  - Turns off the diffusion pump if the foreline pressure is too high or if the diffusion pump is too hot.
- Passes the foreline pressure signal from the foreline gauge or turbo pump speed and other vacuum status information to the main board.
- Turns off the foreline pump in case of a problem with pumpdown.

### ***Turbo pump control***

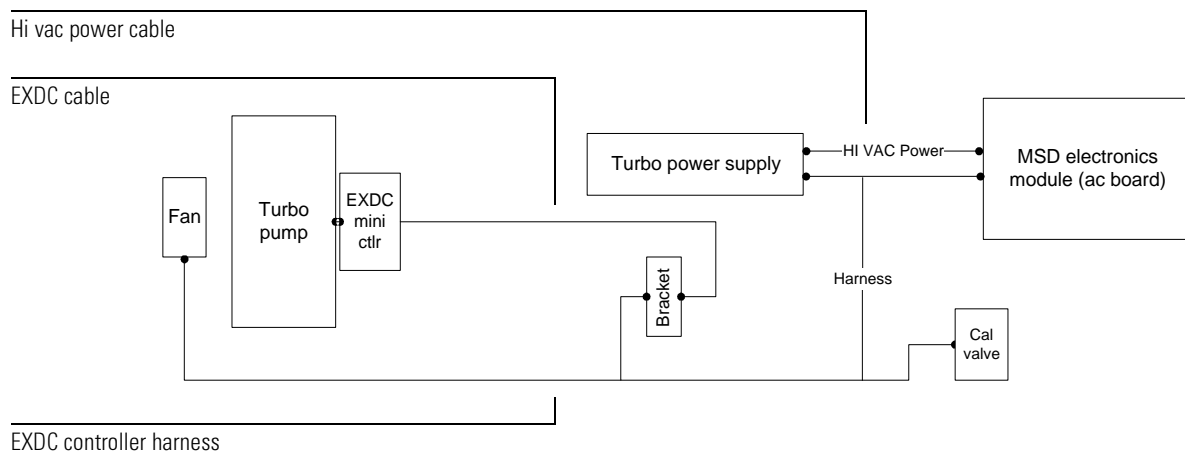
The ac board sends control signals to, and receives turbo pump status information from, the turbo pump controller. The turbo pump controller provides power to the turbomolecular pump and regulates pump speed. If the pump fails to reach 80% speed within 7 minutes after beginning pumpdown, or if the speed drops below 50% during operation, the controller shuts off the turbo pump and the ac board shuts off the foreline pump.

Your MSD is equipped with one of two types of turbo controller.

- Integrated power supply and controller
  - Power supply and separate EXDC mini-controller
-



**Turbo pump control with integrated power supply / controller**



**Turbo pump control with separate power supply and EXDC mini controller**

**AC board*****Diffusion pump control***

The power regulator ensures that the diffusion pump heater receives constant power, even if there are fluctuations in the ac line voltage. It measures the voltage across the heater and the current through it, multiplies them together, and compares the result with a standard value. Any discrepancy is applied as an error signal to adjust the power.

If the power distribution board senses a malfunction in the diffusion pump power regulator, it shuts off power to the diffusion pump.

***Pumpdown failure shutdown***

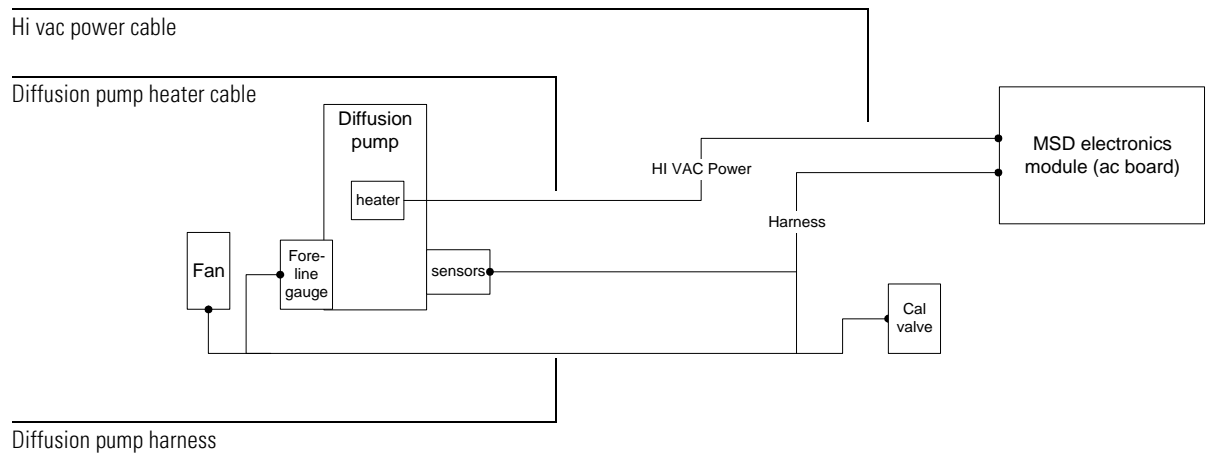
The ac board will shut down both the high vacuum and the foreline pump if the system fails to pump down correctly. The conditions that trigger shutdown are:

- Diffusion pump MSD: foreline pressure still above 300 mTorr after 7 minutes
- Turbo pump MSD: turbo pump speed below 80% after 7 minutes

This is usually because of a **large** air leak: either the sideplate has not sealed correctly or the vent valve is still open. This feature helps prevent the foreline pump from sucking air through the system, which can damage the analyzer and pump.

To correct the problem, power cycle the MSD, and troubleshoot. You have seven minutes to find and correct the air leak before the system shuts down again. Be sure to press on the sideplate when turning on the MSD power to ensure a good seal.





### Diffusion pump control

## LAN/MSD control card

The LAN/MS control card is located to the left of the main board on the electronics panel. The LAN/MS control card has two main functions:

- Providing a communication interface between the MSD and the data system.
- Providing real-time control of the MSD, freeing the data system for other tasks.

Functional areas of the LAN/MS control card include:

- Instrument controller
- Data processor
- Main processor
- Serial communication processor
- Network communication controller
- Remote start processor
- Random access memory (RAM)
- Status LEDs
- Control panel firmware

LEDs on the LAN/MSD control card are visible on the rear panel. The upper two LEDs indicate network communication.

The two bottom LEDs are the power (good, digital 5V) and the “heartbeat” indicator. The flashing heartbeat LED indicates that the operating system of the MSD is functioning. In case of catastrophic loss of flash memory, the heartbeat flashes in an “SOS” pattern.

---

## Power supplies

### Low voltage (ac-dc) power supply

The low voltage power supply is mounted next to the toroid transformer in the electronics module. A universal input power supply, it converts ac line voltage into the dc voltages used by the rest of the electronics. The power supply generates the following dc voltages:

- +24 V (nominal)
- +15 V (nominal)
- -15 V (nominal)
- +5 V (nominal)

### High voltage (HED) power supply

The high voltage power supply provides the -10,000 volts dc for the high energy dynode (HED) in the detector for EI and EI/PCI MSDs. The EI/PCI/NCI MSD requires a bipolar power supply that can also provide +10,000 volts for NCI operation. The HED power supply also provides the 350 volts dc for the detector focus lens. Due to the high impedance of this circuit, measuring the detector focus voltage (350 volts) with a handheld voltmeter will give a typical reading of 90 to 100 volts where the polarity matches that of the HED voltage.

### Toroid transformer

The toroid transformer is mounted next to the ac board. It provides 24 V ac for the mass filter and source heater circuits. The input wires take 120 V ac or 200 – 260 V ac from the ac board. The AC board samples the line voltage and uses a relay to appropriately strap the toroid primary. The output wires connect to the main board.

## Back panel and connectors

The back panel contains several connectors, the primary fuses, several status LEDs. Most of these components are part of the ac board or the LAN/MS control card, and extend through the back panel.

### ***High vacuum control (HIVAC SIGNAL) connector***

The high vacuum signal connector is on the ac board. See Turbo pump control, 326 and Diffusion pump control, 328.

### ***High vacuum power (HIVAC POWER) connector***

The high vacuum power connector carries power for the diffusion pump heater or the turbo controller from the ac board.

### ***Primary fuses***

The primary fuses limit current into the MSD in case of a short circuit in the fore-line pump. The primary fuses are on the ac board.

### ***Power cord receptacle***

The ac power cord brings in all electrical power for the MSD. The power cord can be detached from the MSD.

### ***Foreline pump power cord receptacle***

The foreline pump power cord receptacle provides ac power for the foreline pump. If the power switch is off, no power is supplied to the foreline pump.

### ***Remote start connector***

The remote start connector is the external connector for the remote start circuitry on the LAN/MS control card. It receives remote start signals from the GC.

### ***LAN (I/O) connector***

The LAN cable from the data system is connected to the I/O LAN connector. This cable carries all data communication between the PC and the MSD.

### ***LAN/MSD control card LEDs***

The upper two LEDs indicate network communication. The two bottom LEDs are the power and the “heartbeat” indicator.

Transmit (Tx) and Receive (Rx) LEDs

Remote start cable

High vacuum control cable

High vacuum power cable

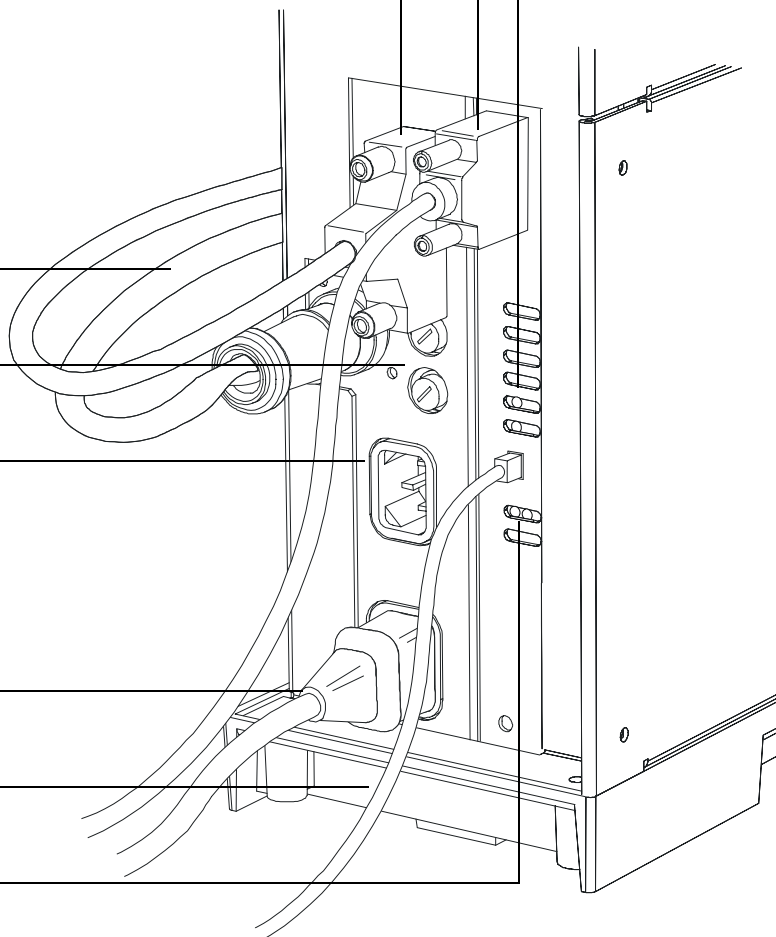
Primary fuses

Power cord receptacle

Foreline pump power cord

LAN cable

Power (PWR) and Heartbeat (Heart) LEDs



---

## Interfacing to external devices

### Remote control processor

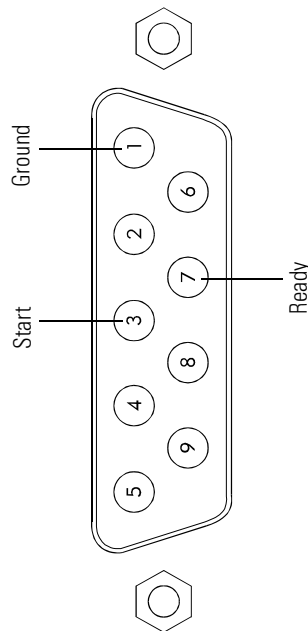
The remote control processor on the LAN/MS control card synchronizes start-run signals with GCs and other devices. The functions of the remote control processor are extended to the remote start (**Remote**) connector on the back panel of the MSD. The remote start cable connects the GC and the MSD.

### Remote start signals

It is often necessary to communicate with external devices (for example, a purge-and-trap) during a run. Typically, these communications are:

- Requests to send a system ready signal
- Receive a start run signal from an external device
- Program the timing of events during a run

### MSD remote start connector



### ***System ready***

When interfacing to an external device, it is often desirable to send a system ready signal to the device. In the case of a multi-sample Tekmar purge-and-trap, each sample is purged onto a trap where it waits for a ready signal. On receipt of the ready signal, the desorption cycle begins. When a specific temperature has been reached, the purge-and-trap closes a contact to indicate the run has started.

The ready pin on the remote start connector on the GC is held low at all times except when the GC, MSD, and data system are all ready. On system ready, a logic high of 5 V dc is present between that pin and any ground. This same high can be detected between the ready and ground pins on the remote start connector on the MSD.

### ***Start run input***

The best way to generate a start run signal is to use the remote start connector on the GC. Since remote start cables are made for most common devices, this is often the simplest way. A general-purpose remote start cable (05890-61080), which is also available, terminates in spade lugs. Care must be taken to ensure that the system is actually ready before the start run signal is sent.

If necessary, the remote start connector on the back of the MSD can be used to send the start run signal. A contact closure between the start and ground pins will start the run if the system is ready.





Electronics, 339  
Vacuum system, 344  
Analyzer, 352  
EI GC/MSD interface, 358  
Consumables and maintenance supplies, 360  
Ferrules, 362  
CI Parts, 364

---

## Parts

This chapter lists parts that can be ordered for your MSD

---

# General Parts

This chapter lists parts that can be ordered for use in maintaining your 5973N MSD. It includes most of the parts or assemblies in the MSDs. This chapter is organized so that related parts are grouped together.

Some of the parts listed are not user-replaceable. They are listed here for the convenience of Agilent Technologies service representatives.

## ***To order parts***

To order parts for your MSD, address the order or inquiry to your local Agilent Technologies office. Supply them with the following information:

- Model and serial number of your MSD, located on a label on the lower left side near the front of the instrument. See page 9.
- Part number(s) of the part(s) needed
- Quantity of each part needed

## ***Some parts are available as rebuilt assemblies***

Rebuilt assemblies pass all the same tests and meet all the same specifications as new parts. Rebuilt assemblies can be identified by their part numbers. The first two digits of the last five digits of the part number are 69 or 89 (i.e., XXXXX-69XXX). Rebuilt assemblies are available on an exchange-only basis. When you return the original part to Agilent Technologies (after you receive the rebuilt assembly) you will receive a credit.

## ***If you cannot find a part you need***

If you need a part that is not listed in this chapter, check the Agilent Technologies Analytical Supplies Catalog or the on-line catalogue on the worldwide web at <http://www.agilent.com>. If you still cannot find it, contact your Agilent Technologies service representative or your Agilent Technologies office.

---

## Electronics

The printed circuit boards in the MSD are available only as complete assemblies. Individual electronic components are not available. This section contains the following parts: cables, fuses, printed circuit boards (electronic assemblies).

**Table 8**


---

### External cables

---

<b>Description</b>	<b>Part number</b>
Remote start cable	G1530-60930
LAN cable (shielded)	8121-0008
Power cord, Australia, China	8120-1369
Power cord, Denmark	8120-2956
Power cord, Europe	8120-1689
Power cord, India / South Africa	8120-421on't it1
Power cord, Japan (200 V)	G2025-60189
Power cord, Switzerland	8120-2104
Power cord, UK, Hong Kong, Singapore	8120-1351
Power cord, US	8120-1378
Triode gauge cable (triode gauge tube to gauge controller)	8120-6573

**Table 9**


---

### Fuses and power switch

---

<b>Description</b>	<b>Part number</b>
Fuse 4A, 250V, fast-acting, low breaking (ac board and main board) <sup>1</sup>	2110-0734
Fuse, 8A, 250V, time-lag, high breaking capacity (primary fuses)	2110-0969
Power button <sup>1</sup>	5041-1203
Power switch extender rod <sup>1</sup>	G1099-40007
Switch adapter <sup>1</sup>	G1099-20026

---

<sup>1</sup> Not a user-replaceable part. Refer service to your Agilent Technologies service representative.

---

Table 10

## Internal Cables

Description	HP part number
AC board control cable (AC board to main board) <sup>1</sup>	G1099-60422
Chassis ground wire <sup>1</sup>	G1099-60433
Control panel ribbon cable	G2589-60030
Diffusion pump control cable	G1099-60437
Electronics module fan cable <sup>1</sup>	G1099-60560
Fan (high vacuum) cable	G1099-60561
Feedthrough board (inside analyzer chamber)	G1099-60425
HED control cable	G1099-60430
HED power cable	G1099-60431
High vacuum power extender cable (AC board to back panel) <sup>1</sup>	G1099-60436
Low voltage power supply input cable (AC board to LV PS) <sup>1</sup>	G1099-60426
Low voltage power supply output cable (LV PS to main board) <sup>1</sup>	G1099-60427
Mass filter contact cable kit (inside analyzer chamber)	G1099-60130
Side board control (ribbon) cable (main board to side board) <sup>1</sup>	G1099-60410
Signal cable (signal feedthrough on side plate to signal amplifier board) <sup>1</sup>	G1099-60416
Source power cable (main board to side board) <sup>1</sup>	G1099-60428
Turbo pump control cable (back panel to turbo controller)	G1099-60438
Turbo pump power cable (back panel to turbo controller)	G1099-60435

<sup>1</sup> Not a user-replaceable part. Refer service to your Agilent Technologies service representative.

Source power cable  
G1099-60428

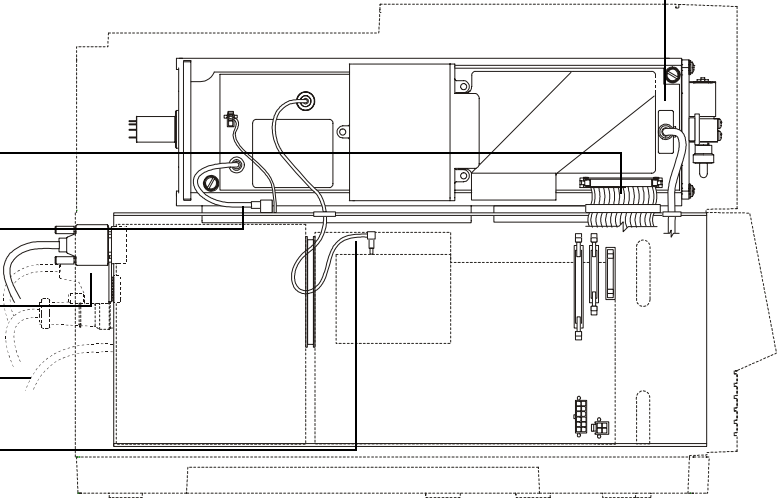
Side board control cable  
G1099-60410

HED power supply output  
cable G1099-60431

Remote start cable  
G1530-60930

LAN cable, shielded  
8121-0008

Signal cable  
G1099-60416



AC board control cable  
G1099-60422

HED control cable  
G1099-60430

Low voltage PS input cable  
G1099-60426

Low voltage PS output cable  
G1099-60427

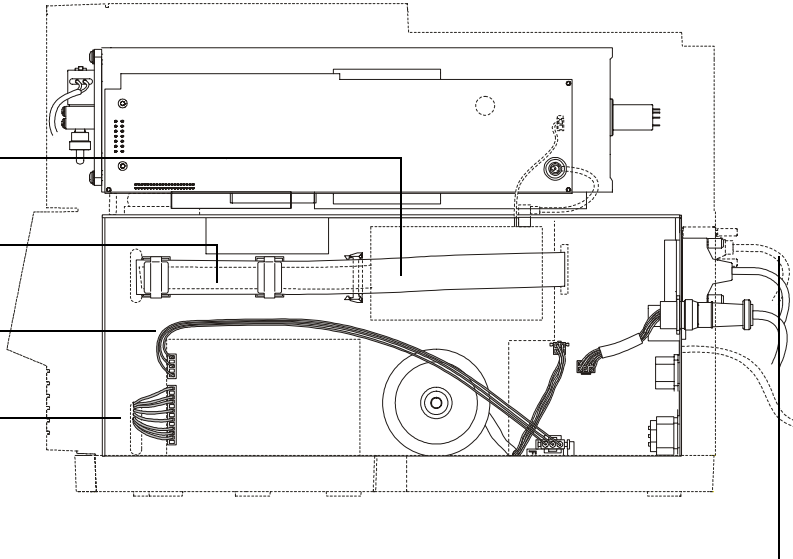
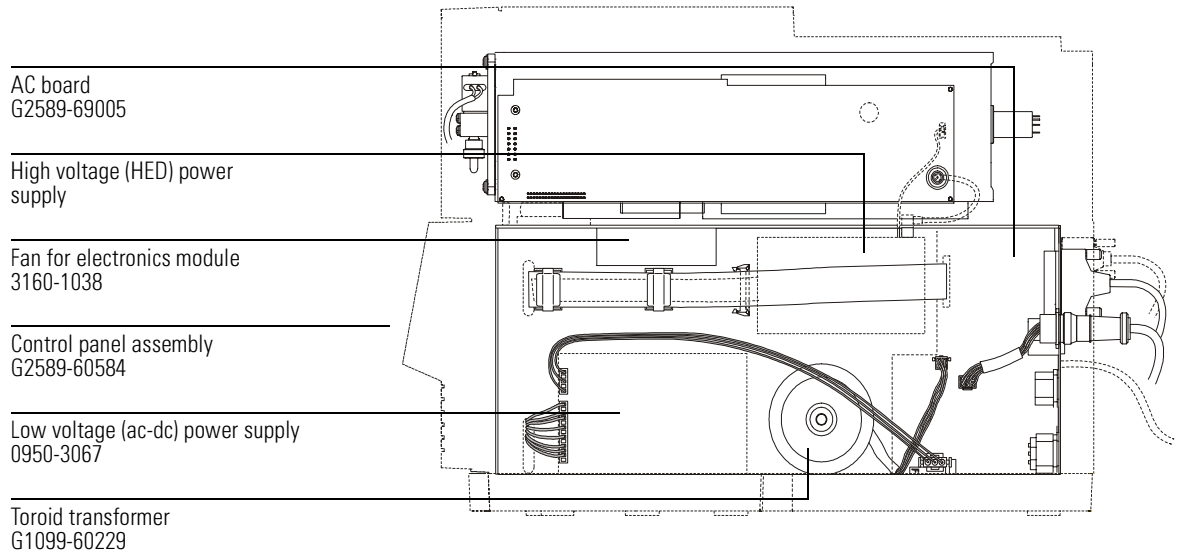
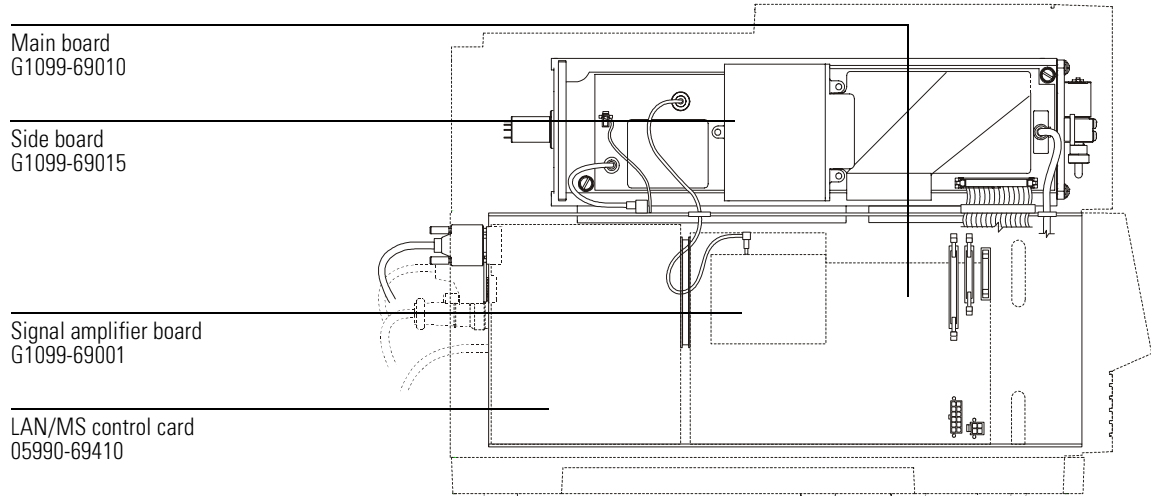


Table 11

Printed circuit boards<sup>1</sup>

Description	Part number
ac board	G2589-69005
fan for electronics module <sup>1</sup>	3160-1038
HED power supply	G1099-80017
bipolar HED power supply (EI/PCI/NCI MSDs only)	G1099-80018
LAN/MS control card	05990-69420
30-pin SIMM (2 required)	1818-4271
72-pin SIMM (1 required)	1818-5709
low voltage (ac-dc) power supply	0950-3067
main board	G1099-69010
signal amplifier board	G1099-69001
toroid transformer	G1099-60229
Control panel assembly	G2589-60584
Side board	G1099-69015

<sup>1</sup> None of the parts in this table are user-replaceable parts. Refer service to your Agilent Technologies service representative.



---

## Vacuum system

This section lists replacement parts available for the vacuum system. It includes: clamps, O-rings and seals, foreline pump and related components, diffusion pump vacuum system components, and turbomolecular pump vacuum system components.

Table 12

---

### O-rings and seals

---

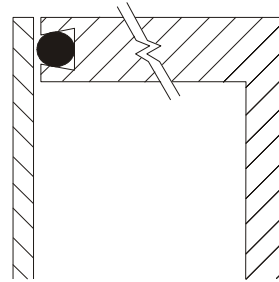
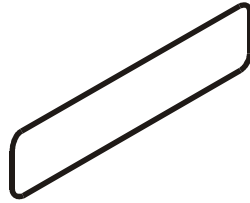
Description	Part number
Calibration valve O-ring (1/4-inch)	0905-1217
End plate O-ring (for front and rear end plates)	0905-1441
GC/MSD interface O-ring	0905-1405
HED feedthrough	G1099-80012
HED feedthrough O-ring	0905-0490
KF10/16 seal (foreline pump inlet and diffusion pump outlet)	0905-1463
KF25 O-ring assembly (turbo pump outlet)	0100-1551
KF elbow adapter for standard turbo pump outlet	G2589-20041
KF50 seal (diffusion pump inlet)	0100-1884
O-ring, for diffusion pump baffle adapter and standard turbo pump inlet <sup>1</sup>	0905-1443
Seal, performance turbo pump inlet <sup>1</sup>	0100-1879
Side plate O-ring	0905-1442
Triode gauge tube O-ring	0905-1070
Vent valve O-ring (1/4-inch)	0905-1217
Drain plug for the foreline pump	0100-2041
O-ring for the foreline pump drain plug	0905-1515

---

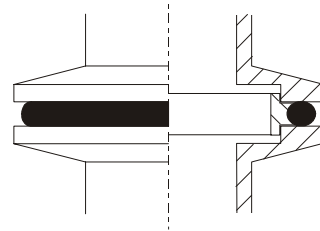
<sup>1</sup> The turbo pump and its seal are not user-replaceable parts. Refer service to your Agilent Technologies service representative.



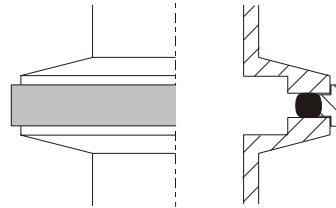
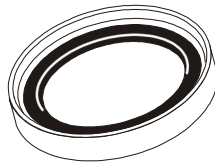
Face seal



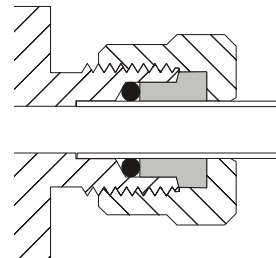
KF seal with internal centering ring



KF seal with external centering ring



Compression seal



**Vacuum system****Table 13****Foreline pump and related parts**

<b>Description</b>	<b>Part number</b>
Foreline hose assembly (hose and internal spring)	05971-60119
Foreline pump	
120V	G1099-89023
230V	G1099-89024
Foreline pump inlet seal (KF10/16)	0905-1463
Hose clamp	1400-1234
KF10/16 clamp (foreline inlet)	0100-1397
KF16 hose adapter	G1099-20531
KF25 clamp (turbo pump end of foreline hose – not shown)	0100-0549
KF25 hose adapter (turbo pump end of foreline hose – not shown)	G1099-20532
Exhaust oil mist trap (not shown) <sup>1</sup>	G1099-80037
Oil drip tray	G1099-00015

<sup>1</sup> Do **not** use an exhaust oil mist trap if you are analyzing hazardous samples, or if you are using hazardous carrier gas, or if you are running CI. Plumb the pump exhaust to a fume (exhaust) hood.

Foreline hose  
05971-60119

Hose clamp  
1400-1234

KF16 hose adapter  
G1099-20531

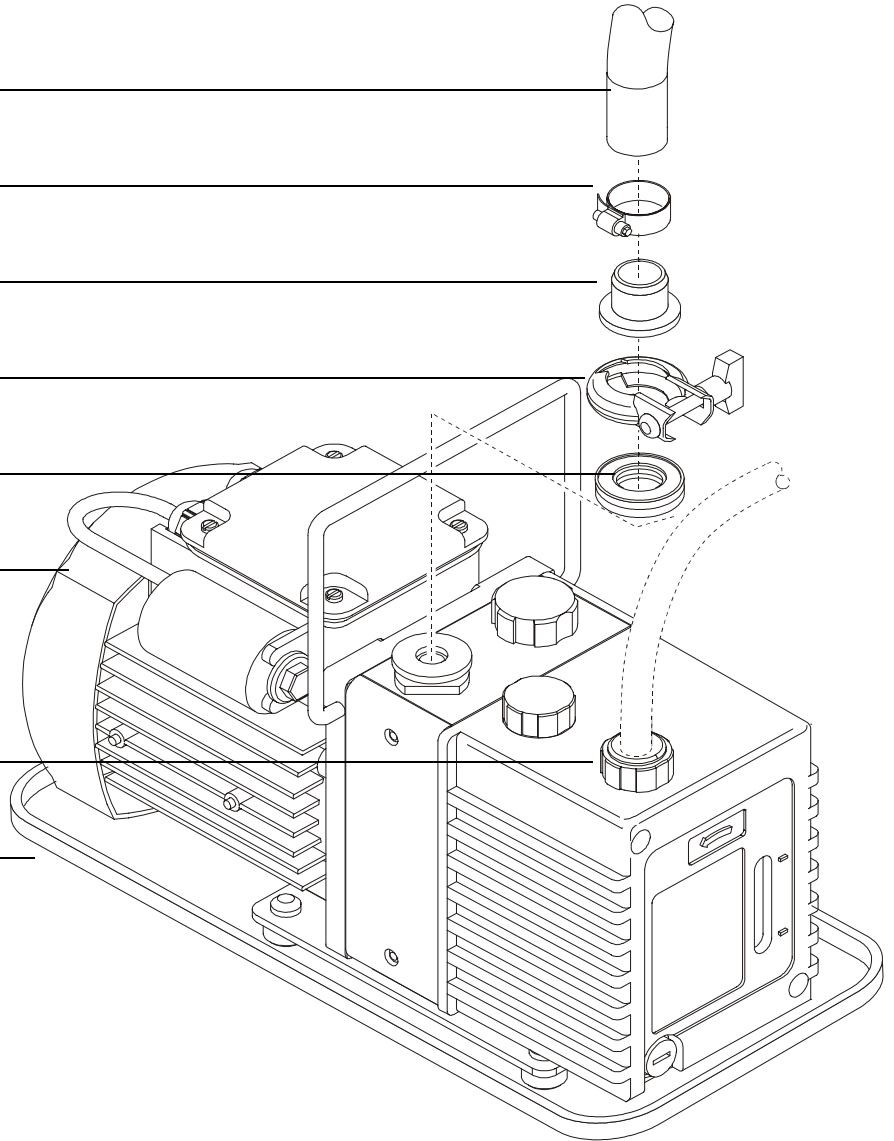
KF 10/16 clamp  
0100-1397

KF10/16 seal  
0905-1463

Foreline pump  
120 V ac G1099-89023  
230 V ac G1099-89024

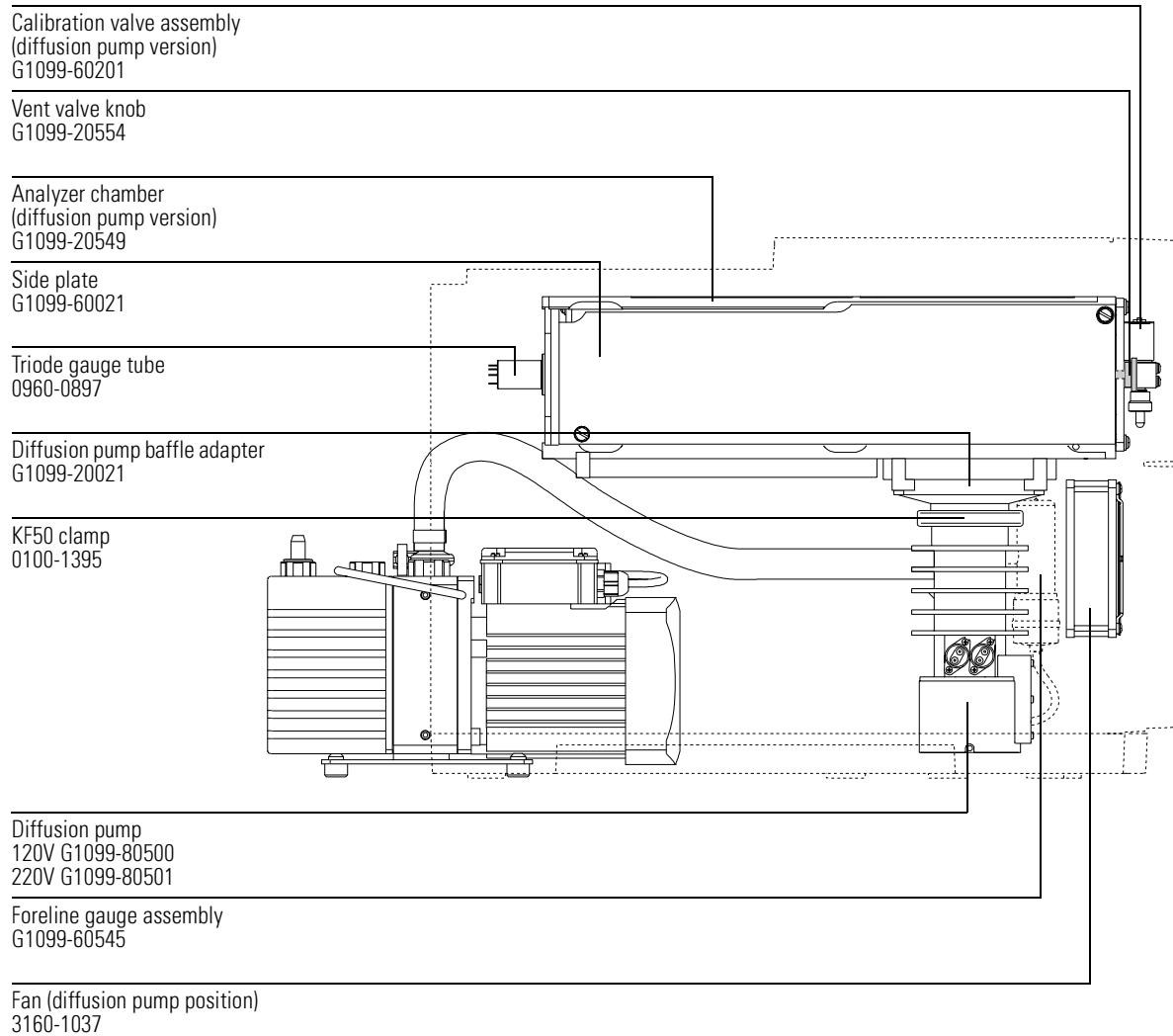
Exhaust outlet  
(use 11-mm id hose)

Oil drip tray  
G1099-00015



**Vacuum system****Table 14****Diffusion pump MSD vacuum system components**

<b>Description</b>	<b>Part number</b>
Baffle (inside stem of triode gauge tube – not shown)	05972-00015
Calibration valve assembly	G1099-60201
calibration vial	05980-20018
Claw clamps for baffle adapter	0100-1881
Collar for triode gauge tube (not shown)	05972-60210
Diffusion pump	
120V	G1099-80500
220/240V	G1099-80501
Diffusion pump baffle adapter	G1099-20021
Diffusion pump baffle adapter O-ring	0905-1443
Diffusion pump control cable	G1099-60437
End plate	
front	G1099-20552
rear	G1099-20553
Fan (for high vacuum pump)	3160-1037
Foreline gauge assembly	G1099-60545
Foreline gauge seal	0905-1463
KF10/16 clamp (diffusion pump outlet)	0100-1397
KF10/16 seal (diffusion pump outlet)	0905-1463
KF50 clamp	0100-1395
KF50 seal (foreline pump to baffle adapter)	0100-1884
Shield for triode gauge tube port (not shown)	G1099-00003
Side plate (includes feedthroughs and thumbscrews)	G1099-60021
Triode gauge tube	0960-0897
Analyzer chamber	G1099-20549
Vent valve knob	G1099-20554



**Vacuum system****Table 15****Turbomolecular pump MSD vacuum system components**

<b>Description</b>	<b>Part number</b>
Baffle (inside stem of triode gauge tube – not shown)	05972-00015
Calibration valve assembly for performance turbo MSD	G1099-60204
Calibration valve assembly for standard turbo (and diffusion pump) MSDs	G1099-60201
Calibrant vial	05980-20018
Claw clamps for turbo pump	0100-1881
Collar for triode gauge tube	05972-60210
Fan	3160-1037
KF25 clamp (for turbo pump outlet)	0100-0549
KF25 O-ring assembly (for turbo pump outlet)	0100-1551
Manifold end plates	
front	G1099-20552
rear	G1099-20553
Shield for triode gauge tube port	G1099-00003
Side plate (includes thumbscrews)	G1099-60021
Triode gauge tube	0960-0897
Performance turbomolecular pump <sup>1</sup>	G2589-89062
Standard turbomolecular pump	G2589-89061
Elbow, foreline, for the standard turbo pump	G2589-20041
Turbo pump seal, large pump <sup>1</sup>	0100-1879
Turbo pump seal, small pump <sup>1</sup>	0100-1879
Analyzer chamber	G1099-20550
Vent valve knob	G1099-20042
Turbo pump power supply/ controller	G1099-89002
Turbo pump harness for integrated PS/controller	G1099-60438
Turbo pump power supply for use with EXDC mini turbo controller	G2589-80063
EXDC mini turbo pump controller	G1946-80035
Turbo harness for EXDC mini controller	G2589-60034

1 The turbo pumps and their seals are not user-replaceable parts. Refer service to your Agilent Technologies service representative.

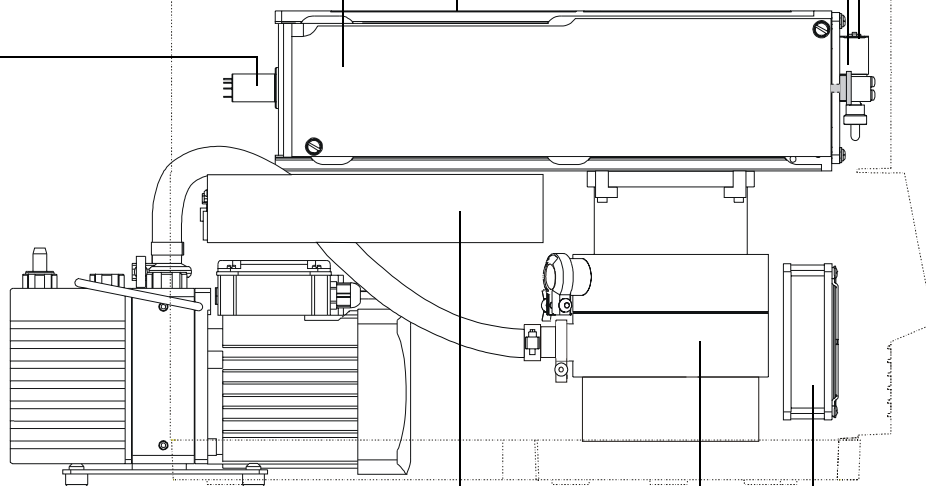
Calibration valve assembly  
 G1099-60201 (standard turbo MSD)  
 G1099-60204 (performance turbo MSD)

Vent valve knob  
 G1099-20554

Analyzer chamber  
 (turbo pump version)  
 G0199-20550

Side plate  
 G1099-60021

Triode gauge tube  
 0960-0897



Turbo pump power supply/controller  
 G1099-89002 **or** G1946-80032 for use with G1946-80035 mini controller

G2589-89062 (performance turbo pump)  
 G2589-89061 (standard turbo pump)

Fan (turbo pump position)  
 3160-1037

---

## Analyzer

This table lists the replacement parts for the analyzer. Analyzer screws and the individual ion source parts are listed the next tables.

**Table 16****Analyzer parts**


---

<b>Description</b>	<b>Part number</b>
Analyzer (complete, tested, with side board)	G1099-69228
detector (complete)	G1099-80001
electron multiplier horn	05971-80103
feedthrough board	G1099-60425
HED feedthrough	G1099-80012
O-ring, viton for HED feedthrough	0905-0490
ion source, complete	G1099-69106
magnet assembly	05971-60160
mass filter cable kit	G1099-60130
mass filter contacts (4 required)	G1099-60142
mass filter ceramic support, detector end	G1099-20124
mass filter ceramic support, source end	G1099-20123
mass filter heater assembly	G1099-60172
mass filter radiator	G1099-20121
mounting bracket, detector end	G1099-00002
mounting bracket, source end	G1099-00001
pins for source and detector end mounting brackets	G1099-20137
side plate (includes thumbscrews)	G1099-60021
source radiator	G1099-20122

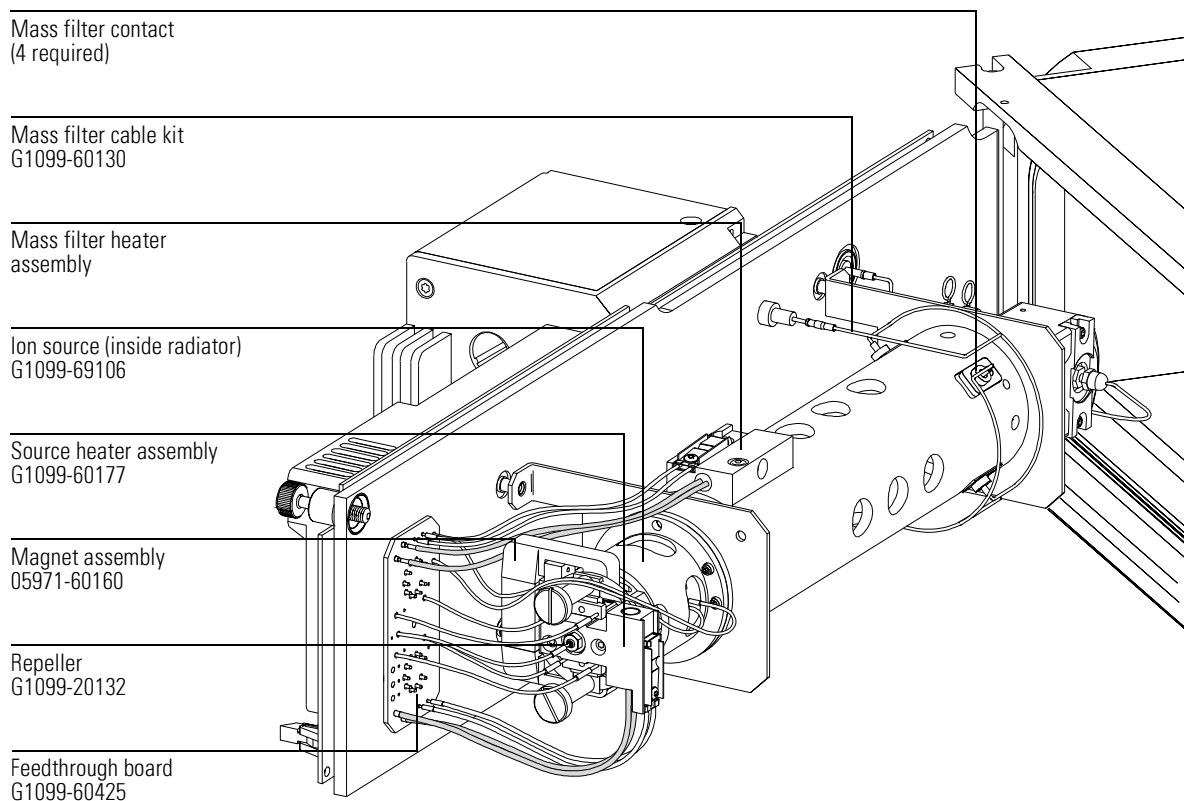
---



**Table 17**

**Analyzer screws**

Description	Part number
Heater/sensor (quadrupole) set screw	0515-1446
Ion source thumbscrew	G1099-20138
Magnet mounting screws	0515-1046
Screw to attach magnet bracket to source radiator	0515-1602
Screws to attach source radiator and detector to quadrupole radiator	0515-1052
Screws for mass filter contact assembly and heater block	0515-0319
Screws for radiator mounting brackets and for side board	0515-0430
Source radiator screws	0515-1052



**Table 18****EI Ion source parts**

<b>Description</b>	<b>Part number</b>
Ion source (complete)	G1099-69106
drawout cylinder	G1072-20008
drawout plate	05971-20134
entrance lens	05971-20126
filament	05972-60053
interface socket	G1099-20136
ion focus lens	05971-20143
lens insulator (pair)	05971-20130
repeller assembly (complete)	G1099-60170
screws	
for filaments and holding repeller assembly on source	0515-1046
setscrew for lens stack	0515-1446
source body	G1099-20130

Source body  
G1099-20130

Setscrew  
0515-1446

Filament  
05972-60053

GC/MSD interface socket  
G1099-20136

Repeller assembly  
G1099-60170

Screws  
0515-1046

Screws  
0515-1046

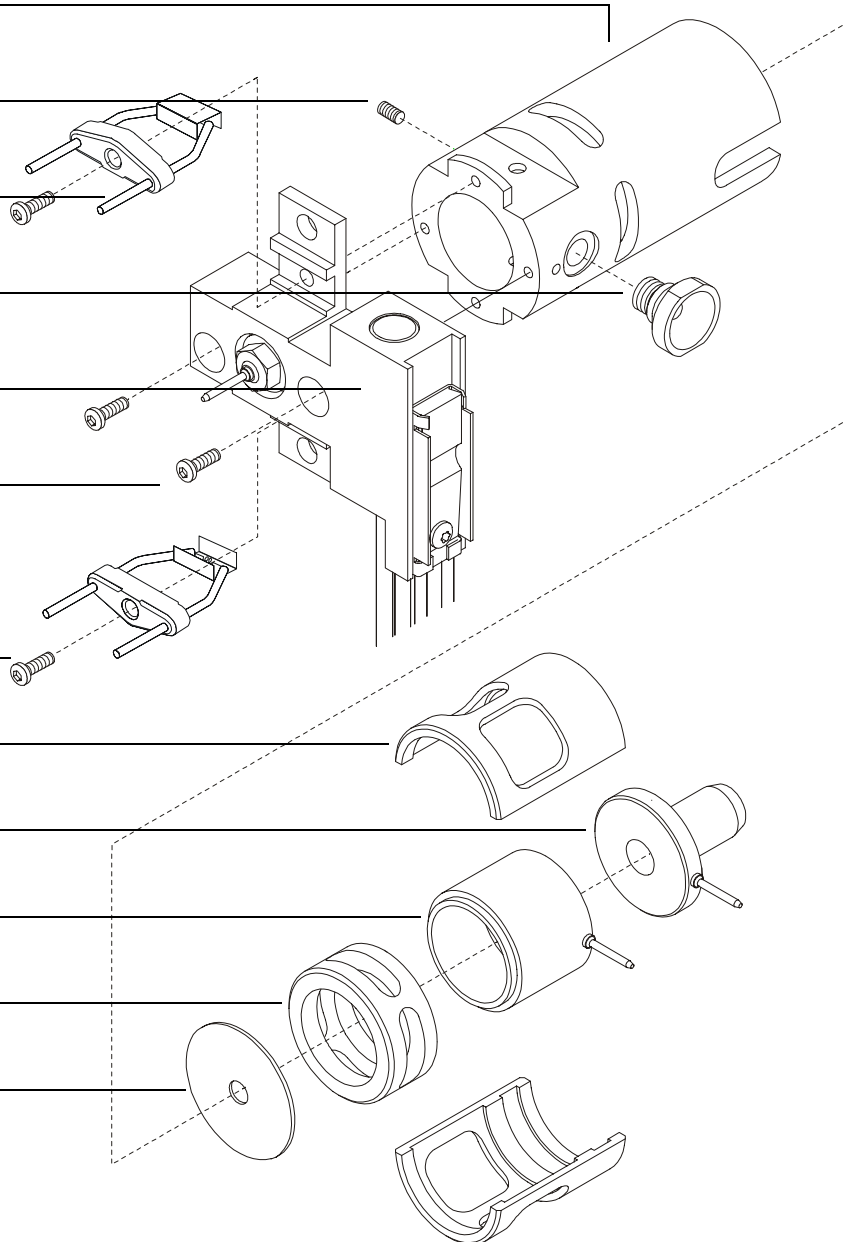
Lens insulator (set)  
05971-20130

Entrance lens  
05971-20126

Ion focus lens  
05971-20143

Drawout cylinder  
G1072-20008

Drawout plate  
05971-20134



**Table 19**

---

**Repeller assembly parts**

---

<b>Description</b>	<b>Part number</b>
Repeller assembly	G1099-60170
insulator (2 required)	G1099-20133
nut, 5.5-mm	0535-0071
repeller	G1099-20132
setscrew	0515-1446
source heater assembly (includes heater, sensor, and heater block)	G1099-60177
washer	3050-0891

Repeller  
G1099-20132

Insulator  
G1099-20133

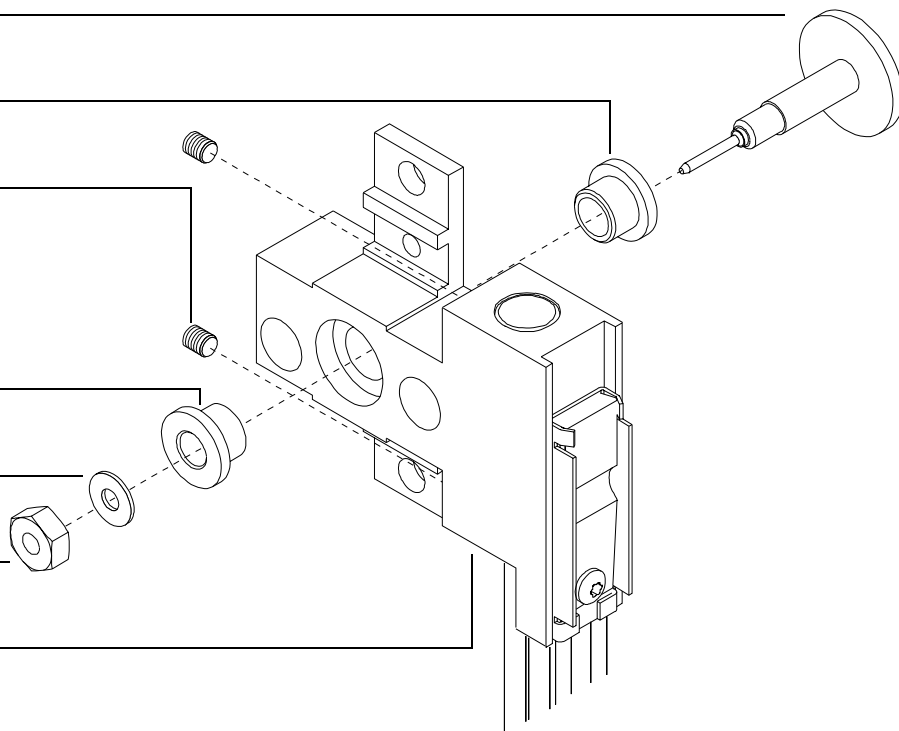
Setscrew  
0515-1446

Insulator  
G1099-20133

Washer  
3050-0891

Nut, 5.5-mm  
0535-0071

Source heater assembly  
G1099-60177



---

## EI GC/MSD interface

This table lists the replacement parts related to the GC/MSD interface.

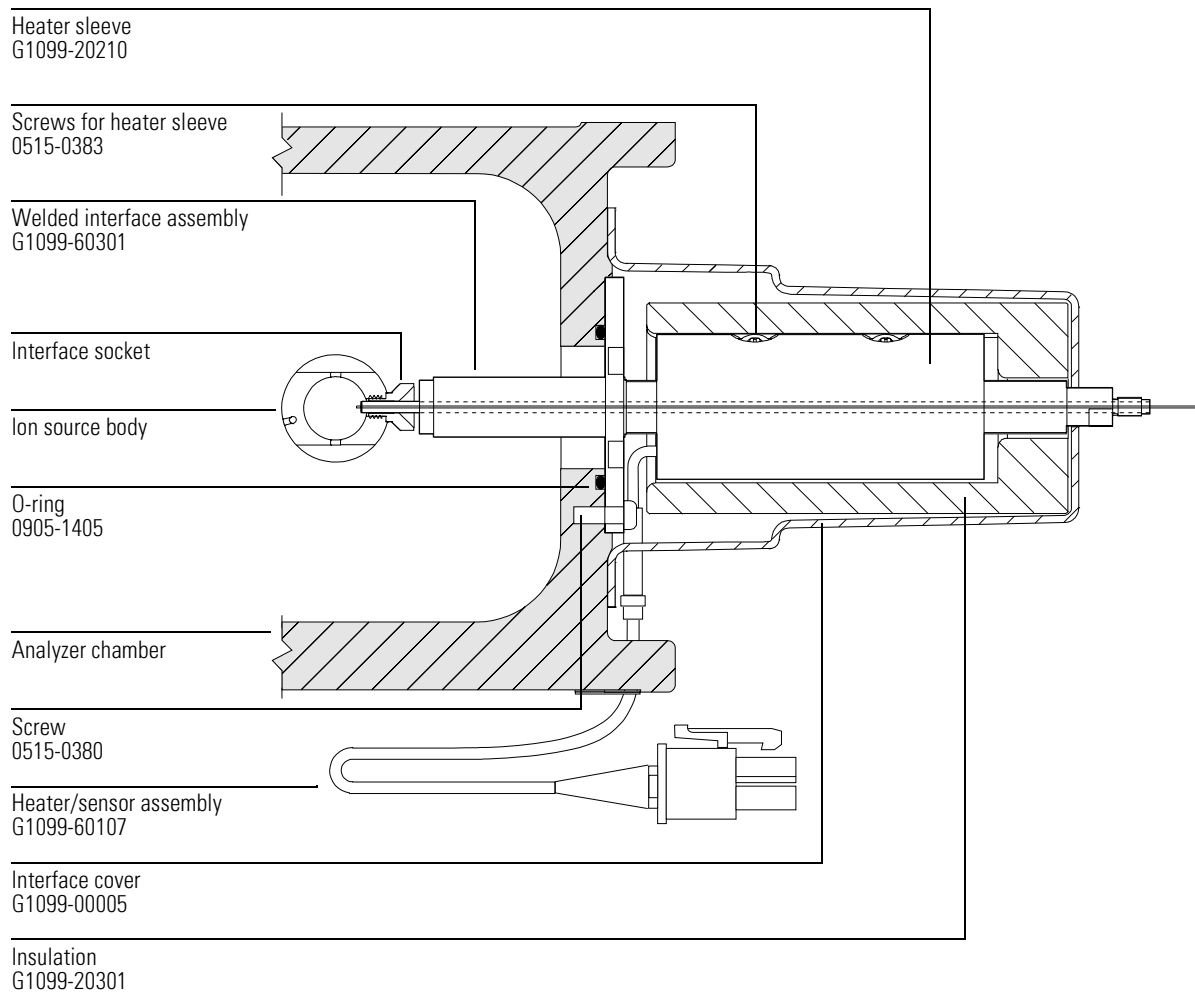
**Table 20**


---

### **GC/MSD interface**

---

<b>Description</b>	<b>Part number</b>
GC/MSD interface (complete)	G1099-60300
interface column nut (not shown)	05988-20066
heater sleeve	G1099-20210
heater/sensor assembly	G1099-60107
insulation	G1099-20301
setscrew for heater/sensor assembly (not shown)	0515-0236
screws, M4 x 0.7 panhead, for heater sleeve	0515-0383
welded interface assembly	G1099-60301
GC/MSD interface O-ring	0905-1405
Interface cover	G1099-00005
Screws for mounting interface and cover to analyzer chamber	0515-0380



---

## Consumables and maintenance supplies

This section lists parts available for cleaning and maintaining your MSD.

**Table 21**


---

### Maintenance supplies

---

<b>Description</b>	<b>Part number</b>
Abrasive paper, 30 µm	5061-5896
Alumina powder	8660-0791
Cloths, clean (package of 300)	05980-60051
Cloths, cleaning (package of 300)	9310-4828
Cotton swabs (package of 100)	5080-5400
Diffusion pump fluid (2 required)	6040-0809
Foreline pump oil, Inland 45, 1 liter	6040-0834
Gloves, clean	
large	8650-0030
small	8650-0029
Grease, Apiezon L, high vacuum	6040-0289
Paint, touch-up, Glacier Gray	6010-1497
One-year maintenance kit	5183-0296



Table 22

<b>Tools</b>	
<b>Description</b>	<b>Part number</b>
Column installation tool	G1099-20030
Tool kit	G1099-60566
Ball drivers	
1.5-mm	8710-1570
2.0-mm	8710-1804
2.5-mm	8710-1681
Hex nut driver, 5.5-mm	8710-1220
Pliers, long-nose (1.5-inch nose)	8710-1094
Screwdrivers	
flat-blade, large	8730-0002
TORX, T-10	8710-1623
TORX, T-15	8710-1622
TORX, T-20	8710-1615
Shipping kits	
5973N MSD	G2589-60043
6890 Series GC	G1530-60860
Tweezers, non-magnetic	8710-0907
Wrenches, open-end	
1/4-inch x 5/16-inch	8710-0510
10-mm	8710-2353
Wrist strap, anti-static	
small	9300-0969
medium	9300-1257
large	9300-0970

**Consumables and maintenance supplies****Table 23****Ferrules**

<b>Description</b>	<b>Part number</b>
Blank, graphite-vespel	5181-3308
GC/MSD interface	
0.3-mm id, 85% Vespel 15% graphite, for 0.10-mm id columns	5062-3507
0.4-mm id, 85% Vespel 15% graphite, for 0.20-mm id and 0.25-mm id columns	5062-3508
0.5-mm id, 85% Vespel 15% graphite, for 0.32-mm id columns	5062-3506
0.8-mm id, 85% Vespel 15% graphite, for 0.53-mm id columns	5062-3538
Injection port	
0.27-mm id, 90% Vespel 10% graphite, for 0.10-mm id columns	5062-3518
0.37-mm id, 90% Vespel 10% graphite, for 0.20-mm id columns	5062-3516
0.40-mm id, 90% Vespel 10% graphite, for 0.25-mm id columns	5181-3323
0.47-mm id, 90% Vespel 10% graphite, for 0.32-mm id columns	5062-3514
0.74-mm id, 90% Vespel 10% graphite, for 0.53-mm id columns	5062-3512

Table 24

---

**Miscellaneous parts and samples**


---

Description	Part number
Diffusion pump fluid (2 required)	6040-0809
Electron multiplier horn	05971-80103
Filament assembly (EI)	05972-60053
Filament assembly (CI)	G1099-80053
Foreline pump oil (1 liter)	6040-0834
Foreline exhaust oil mist trap <sup>1</sup>	G1099-80037
Heater/sensor assemblies	
GC/MSD interface	05972-60106
ion source	G1099-60177
mass filter	G1099-60172
Octafluoronaphthalene (OFN), 1 pg/ul	8500-5441
Perfluorotributylamine (PFTBA), certified (10 gram)	8500-0656
Perfluorotributylamine (PFTBA) sample kit	05971-60571
Sample, evaluation A, hydrocarbons	05970-60045
Vacuum gauges	
foreline gauge assembly	G1099-60545
triode gauge tube	0960-0897

<sup>1</sup> Do **not** use an exhaust oil mist trap if you are analyzing hazardous samples, or if you are using hazardous carrier gas, or if you are running CI. Plumb the pump exhaust to a fume hood.

---

## CI Parts

This section lists parts that may be required to maintain the 5973N MSD with CI. The parts listed in this section are related directly to the accessory; other parts for the MSD can be found in the previous section of this chapter.

Table 25

---

**Miscellaneous parts for CI MSD**


---

<b>Description</b>	<b>Part number</b>
Benzophenone, 100 pg/ $\mu$ l	8500-5440
Bipolar HED power supply (EI/PCI/NCI MSDs only)	G1099-80018
Foreline pump secondary containment tray	G1099-00015
Methane/isobutane gas purifier	G1999-80410
PFDTD calibrant	8500-8130
Reagent gas line, 20-ft 1/8" ID stainless steel, cleaned	7157-0210
Wipes, industrial, 300/package	9310-4828
Swagelok fittings for gas purifier and inlet to flow module	
Ferrule, front, for 1/8-inch tubing, 20/package	5180-4110
Ferrule, rear, for 1/8-inch tubing, 20/package	5180-4116
Nut, for 1/8-inch tubing, 20/package	5080-8751
Nut and both front and rear ferrules, 20 sets/package	5080-8751
Tubing cutter for stainless steel tubing	8710-1709
Tubing cutter replacement blades	8710-1710

**CI Parts****Table 26****CI Flow control module parts**

<b>Description</b>	<b>Part number</b>
CI flow control module (complete)	G1999-65450
Calibration valve assembly	G1999-60456
PFDTD calibrant	8500-8130
Sample vial	05980-20018
Sample vial O-ring, 1/4-inch Viton	0905-1217
Solenoid valve and cable	G1999-80405
CI main power harness cable	G1999-60462
Display module	G1999-65461
Flow control knob	0370-3401
Flow control PCA	G1999-65005
Mass flow controller	0101-1006
Isolation valve	G1999-80402
Mass flow controller cable	G1999-60464
Reagent gas select valve	G1999-80401
VCR gasket, 1/4-inch, with retainer, one use only	0100-1436
VCR gasket, 1/8-inch, one use only	0100-0468
CI analyzer cover	G1999-60440
Front flow module cover	G1999-20422
Methane/isobutane gas purifier	G1999-80410
Reagent gas supply tubing, stainless steel, 1/8-inch	7157-0210
Rear flow module cover	G1999-00411
Swagelok fittings for gas purifier and inlet to flow module	
Ferrule, front, for 1/8-inch tubing, 20/package	5180-4110
Ferrule, rear, for 1/8-inch tubing, 20/package	5180-4116
Nut, for 1/8-inch tubing, 20/package	5080-8751
Nut and both front and rear ferrules, 20 sets/package	5080-8751

Rear flow module cover  
G1999-00411

CI analyzer cover  
G1999-60440

Front flow module cover  
G1999-20422

Display module  
G1999-65461

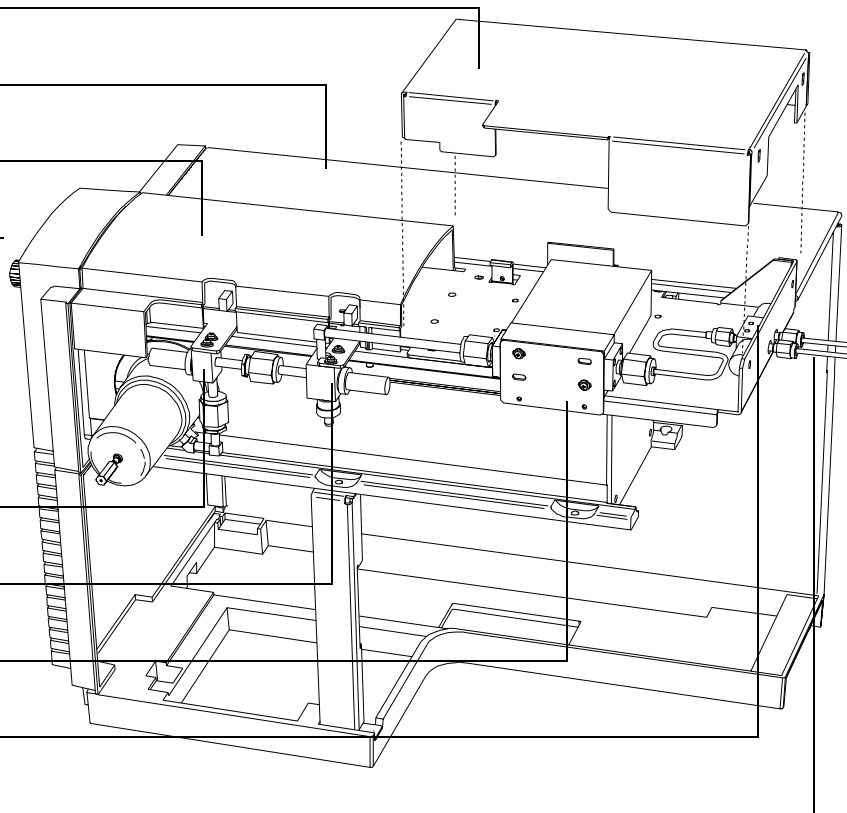
Isolation valve  
G1999-80402

CI calibration valve assembly  
G1999-60456

Mass flow controller  
0101-1006

Reagent gas select valve  
G1999-80401

Reagent gas supply tubing  
7157-0210



**Table 27**

---

**Cl ion source parts**

---

<b>Description</b>	<b>Part number</b>
Box for ion source shipping and storage	G1999-65001
Cl ion source (tested)	G1999-65402
Cl drawout cylinder	G1999-20444
Cl drawout plate	G1999-20446
Cl filament	G1099-80053
Cl heater block	G1999-20431
Cl interface tip seal	G1999-60412
Cl ion focus lens	G1999-20443
Cl lens insulators (set)	G1999-20445
Cl repeller	G1999-20432
Cl repeller insulator	G1999-20433
Cl source body	G1999-20430
Cl source heater assembly	G1999-60414
Dummy filament	G1999-60454
Entrance lens	05971-20126
Screw, socket-head cap for mounting filaments	G1999-20021
Setscrew for mounting heater and lens stack	G1999-20021
Screw, M3 X 4L socket head for mounting RTD	0515-2903
Screw, M2 × 8L mounts source to radiator	0515-1046



CI ion source body  
 G1999-20430

Setscrew  
 0515-1446

CI repeller  
 G1999-20432

CI repeller insulator  
 G1999-20433

CI filament  
 G1099-80053

CI source heater assembly  
 G1999-60414

Dummy filament  
 G1999-20454

CI lens insulator (set)  
 G1999-20445

CI ion focus lens  
 G1999-20443

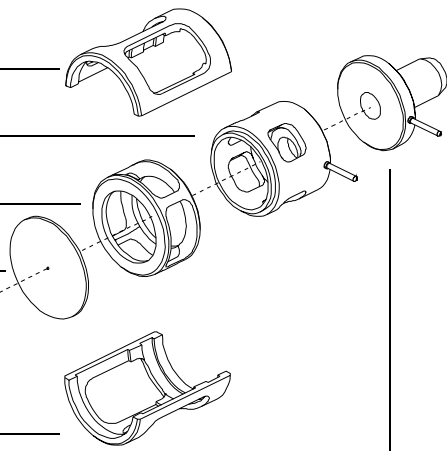
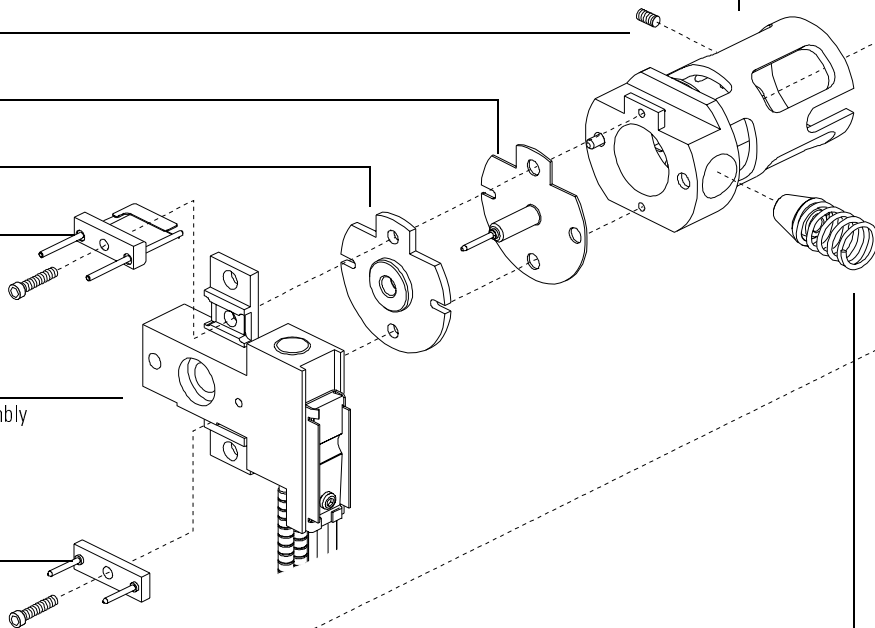
CI draw-out cylinder  
 G1999-20444

CI draw-out plate  
 G1999-20446

CI lens insulator (set)  
 G1999-20445

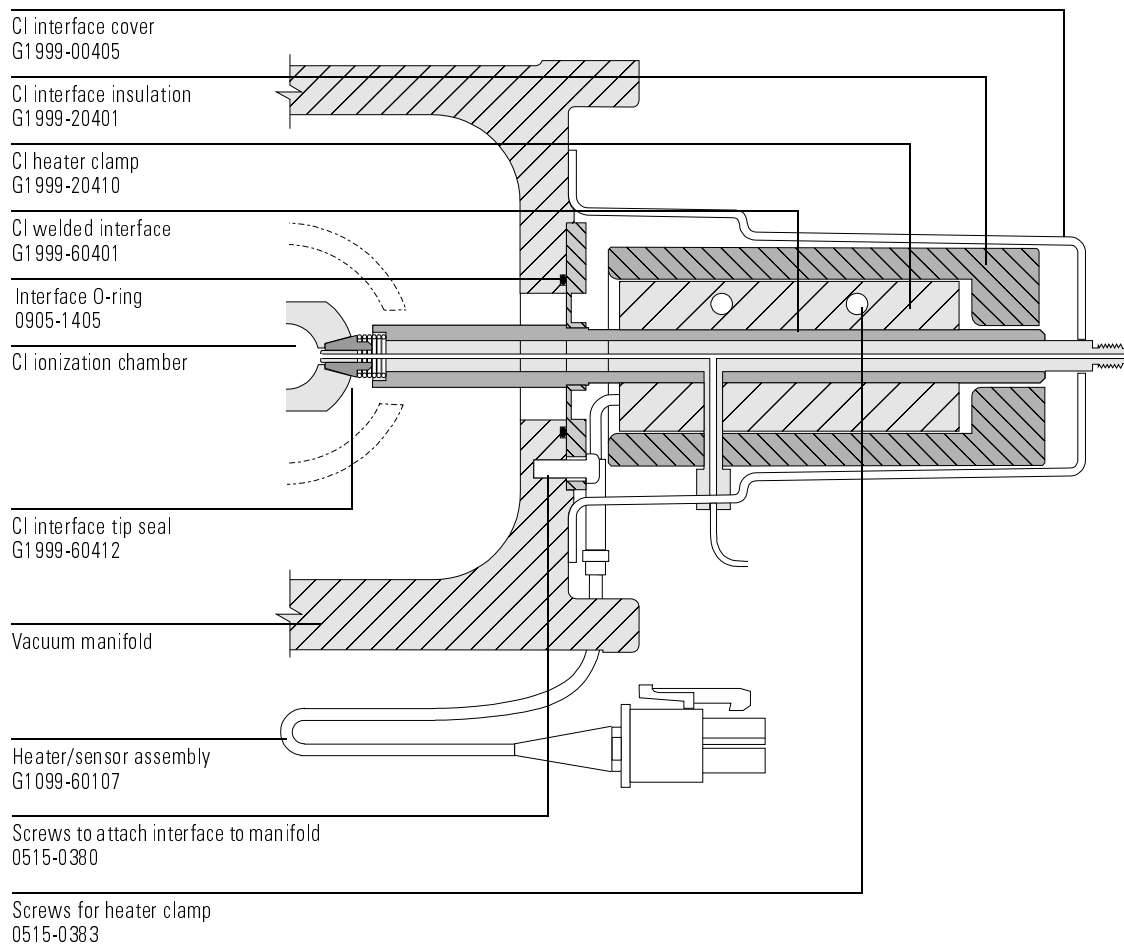
Entrance lens  
 05971-20126

CI interface tip seal  
 G1999-60412



**CI Parts****Table 28****EI/CI GC/MSD interface parts**

<b>Description</b>	<b>Part number</b>
CI/EI GC/MSD interface assembly	G1999-65400
Heater clamp	G1999-20410
Heater/sensor assembly	G1099-60107
Interface cover	G1999-00405
Interface insulation (two pieces)	G1999-20401
Screws for heater clamp	0515-0383
Screws to attach interface to manifold	0515-0380
Welded interface	G1999-60401
Interface tip seal	G1999-60412
Vespel blank	5181-3308





---

# Appendix A

Chemical ionization overview, 374  
References on chemical ionization, 375  
Positive CI theory, 376  
    Proton transfer, 378  
    Hydride abstraction, 380  
    Addition, 380  
    Charge exchange, 381  
Negative CI theory, 382  
    Electron capture, 384  
    Dissociative electron capture, 385  
    Ion pair formation, 385  
    Ion-molecule reactions, 386

---

## Chemical Ionization Theory

## Chemical ionization overview

Chemical ionization (CI) is a technique for creating ions used in mass spectrometric analyses. There are significant differences between CI and electron ionization (EI). This section describes the most common chemical ionization mechanisms.

In EI, relatively high-energy electrons (70 eV) collide with molecules of the sample that is to be analyzed. These collisions produce (primarily) positive ions. Upon ionization, the molecules of a given substance fragment in fairly predictable patterns. EI is a direct process: energy is transferred collisionally from electrons to the sample molecules.

For CI, in addition to the sample and carrier gas, large amounts of reagent gas are introduced into the ionization chamber. Since there is so much more reagent gas than sample, most of the emitted electrons collide with reagent gas molecules, forming reagent ions. These reagent-gas ions react with each other, in primary and secondary reaction processes that establish an equilibrium. They also react in various ways with sample molecules to form sample ions. CI ion formation involves much lower energy, and is much more “gentle”, than electron ionization. Since CI results in much less fragmentation, CI spectra usually show high abundance of the molecular ion. For this reason, CI is often used to determine the molecular weights of sample compounds.

Methane is the most common CI reagent gas. It yields certain characteristic ionization patterns. Other reagent gases yield different patterns and may result in better sensitivity for some samples. Common alternative reagent gases are isobutane and ammonia. Carbon dioxide is often used in negative CI. Less common reagent gases are carbon dioxide, hydrogen, freon, trimethylsilane, nitric oxide, and methylamine. Different ionization reactions occur with each reagent gas.

---

### WARNING

**Ammonia is toxic and corrosive. Use of ammonia requires special maintenance and safety precautions.**

Water contamination in reagent gases may decrease CI sensitivity dramatically. A large peak at  $m/z$  19 ( $\text{H}_3\text{O}^+$ ) in positive CI is a diagnostic symptom of water contamination. In high enough concentrations, especially when combined with calibrant, water contamination will result in a heavily contaminated ion source. Water contamination is most common immediately after new reagent gas tubing or reagent gas cylinders are connected. This contamination will often decrease if the reagent gas is allowed to flow for a few hours, purging the system.

**References on chemical ionization**

A. G. Harrison, *Chemical Ionization Mass Spectrometry*, 2nd Edition, CRC Press, INC. Boca Raton, FL (1992) ISBN 0-8493-4254-6.

W. B. Knighton, L. J. Sears, E. P. Grimsrud, "High Pressure Electron Capture Mass Spectrometry", *Mass Spectrometry Reviews* (1996), 14, 327-343.

E. A. Stemmler, R. A. Hites, *Electron Capture Negative Ion Mass Spectra of Environmental Contaminants and Related Compounds*, VCH Publishers, New York, NY (1988) ISBN 0-89573-708-6.

## Positive CI theory

Positive CI occurs with the same analyzer voltage polarities as EI. For PCI, the reagent gas is ionized by collision with emitted electrons. The reagent gas ions react chemically with sample molecules (as proton donors) to form sample ions. PCI ion formation is more “gentle” than electron ionization, producing less fragmentation. This reaction usually yields high abundance of the molecular ion, and is therefore often used for determining molecular weights of samples.

The most common reagent gas is methane. Methane PCI produces ions with almost any sample molecule. Other reagent gases, such as isobutane or ammonia, are more selective, and cause even less fragmentation. Because of the high background from the reagent gas ions, PCI is not especially sensitive, and detection limits are generally high.

There are four fundamental ionization processes that take place during positive chemical ionization at ion source pressures in the 0.8 – 2.0 Torr range. These are:

- Proton transfer
- Hydride abstraction
- Addition
- Charge exchange

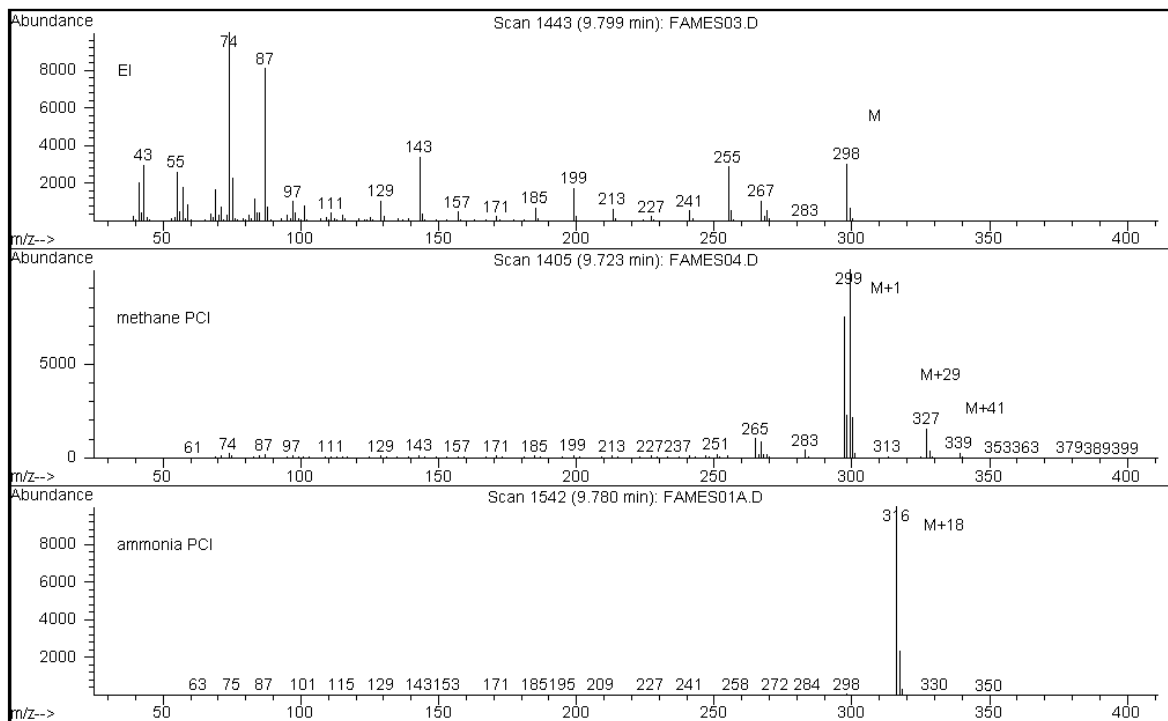
Depending on the reagent gas used, one or more of these four processes can be used to explain the ionization products observed in the resulting mass spectra.

EI, methane PCI, and ammonia PCI spectra of methyl stearate are shown opposite. The simple fragmentation pattern, large abundance of the  $[MH]^+$  ion, and the presence of the two adduct ions are characteristic of positive chemical ionization using methane as a reagent gas.

The presence of air or water in the system, especially in the presence of PFDTD calibrant, quickly contaminates the ion source.

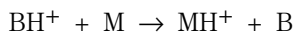


## Methyl stearate (MW = 298): EI, methane PCI, and ammonia PCI



**Positive CI theory****Proton transfer**

Proton transfer can be expressed as

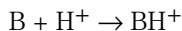


where the reagent gas B has undergone ionization resulting in protonation. If the proton affinity of the analyte (sample) M is greater than that of the reagent gas, then the protonated reagent gas will transfer its proton to the analyte, forming a positively charged analyte ion.

The most frequently used example is the proton transfer from  $\text{CH}_5^+$  to the molecular analyte, which results in the protonated molecular ion  $\text{MH}^+$ .

The relative proton affinities of the reagent gas and the analyte govern the proton transfer reaction. If the analyte has a greater proton affinity than the reagent gas, then proton transfer can take place. Methane ( $\text{CH}_4$ ) is the most common reagent gas because its proton affinity is very low.

Proton affinities can be defined according to the reaction:



where the proton affinities are expressed in kcal/mole. Methane's proton affinity is 127 kcal/mole. The following tables list the proton affinities of several possible reagent gases and of several small organic compounds with various functional groups.

The mass spectrum generated by a proton-transfer reaction depends on several criteria. If the difference in proton affinities is large (as with methane), substantial excess energy may be present in the protonated molecular ion. This can result in subsequent fragmentation. For this reason, isobutane, with a proton affinity of 195 kcal/mole, may be preferred to methane for some analyses. Ammonia has a proton affinity of 207 kcal/mole, making it less likely to protonate most analytes. Proton-transfer chemical ionization is usually considered to be "soft" ionization, but the extent of the softness is dependent on the proton affinities of both the analyte and the reagent gas, as well as on other factors, including ion source temperature.

**Reagent gas proton affinities**

<b>Species</b>	<b>Proton affinity kcal/mole</b>	<b>Reactant ion formed</b>
H <sub>2</sub>	100	H <sub>3</sub> <sup>+</sup> ( <i>m/z</i> 3)
CH <sub>4</sub>	127	CH <sub>5</sub> <sup>+</sup> ( <i>m/z</i> 17)
C <sub>2</sub> H <sub>4</sub>	160	C <sub>2</sub> H <sub>5</sub> <sup>+</sup> ( <i>m/z</i> 29)
H <sub>2</sub> O	165	H <sub>3</sub> O <sup>+</sup> ( <i>m/z</i> 19)
H <sub>2</sub> S	170	H <sub>3</sub> S <sup>+</sup> ( <i>m/z</i> 35)
CH <sub>3</sub> OH	182	CH <sub>3</sub> OH <sub>2</sub> <sup>+</sup> ( <i>m/z</i> 33)
t-C <sub>4</sub> H <sub>10</sub>	195	t-C <sub>4</sub> H <sub>9</sub> <sup>+</sup> ( <i>m/z</i> 57)
NH <sub>3</sub>	207	NH <sub>4</sub> <sup>+</sup> ( <i>m/z</i> 18)

**Proton affinities of selected organic compounds for PCI**

<b>Molecule</b>	<b>Proton affinity (kcal/mole)</b>	<b>Molecule</b>	<b>Proton affinity (kcal/mole)</b>
Acetaldehyde	185	Methyl amine	211
Acetic acid	188	Methyl chloride	165
Acetone	202	Methyl cyanide	186
Benzene	178	Methyl sulfide	185
2-Butanol	197	Methyl cyclopropane	180
Cyclopropane	179	Nitroethane	185
Dimethyl ether	190	Nitromethane	180
Ethane	121	n-Propyl acetate	207
Ethyl formate	198	Propylene	179
Formic acid	175	Toluene	187
Hydrobromic acid	140	trans-2-Butene	180
Hydrochloric acid	141	Trifluoroacetic acid	167
Isopropyl alcohol	190	Xylene	187
Methanol	182		

**Positive CI theory****Hydride abstraction**

In the formation of reagent ions, various reactant ions can be formed that have high hydride-ion ( $\text{H}^-$ ) affinities. If the hydride-ion affinity of a reactant ion is higher than the hydride-ion affinity of the ion formed by the analyte's loss of  $\text{H}^-$ , then the thermodynamics are favorable for this chemical ionization process. Examples include the hydride abstraction of alkanes in methane chemical ionization. In methane CI, both  $\text{CH}_5^+$  and  $\text{C}_2\text{H}_5^+$  are capable of hydride abstraction. These species have large hydride-ion affinities, which results in the loss of  $\text{H}^-$  for long-chain alkanes, according to the general reaction



For methane,  $\text{R}^+$  is  $\text{CH}_5^+$  and  $\text{C}_2\text{H}_5^+$ , and M is a long-chain alkane. In the case of  $\text{CH}_5^+$ , the reaction proceeds to form  $[\text{M-H}]^+ + \text{CH}_4 + \text{H}_2$ . The spectra resulting from hydride abstraction will show an M-1 amu peak resulting from the loss of  $\text{H}^-$ . This reaction is exothermic so fragmentation of the  $[\text{M-H}]^+$  ion is often observed.

Often, both hydride-abstraction and proton-transfer ionization can be evident in the sample spectrum. One example is the methane CI spectrum of long-chain methyl esters, where both hydride abstraction from the hydrocarbon chain and proton transfer to the ester function occur. In the methane PCI spectrum of methyl stearate, for example, the  $\text{MH}^+$  peak at  $m/z = 299$  is created by proton transfer, and the  $[\text{M-1}]^+$  peak at  $m/z = 297$  is created by hydride abstraction.

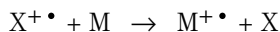
**Addition**

For many analytes, proton-transfer and hydride-abstraction chemical ionization reactions are not thermodynamically favorable. In these cases, reagent gas ions are often reactive enough to combine with the analyte molecules by condensation or association (addition reactions). The resulting ions are called adduct ions. Adduct ions are observed in methane chemical ionization by the presence of  $[\text{M}+\text{C}_2\text{H}_5]^+$  and  $[\text{M}+\text{C}_3\text{H}_5]^+$  ions, which result in M+29 and M+41 amu mass peaks.

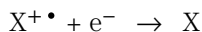
Addition reactions are particularly important in ammonia CI. Because the  $\text{NH}_3$  has a high proton affinity, few organic compounds will undergo proton transfer with ammonia reagent gas. In ammonia CI, a series of ion-molecule reactions takes place, resulting in the formation of  $\text{NH}_4^+$ ,  $[\text{NH}_4\text{NH}_3]^+$ , and  $[\text{NH}_4(\text{NH}_3)_2]^+$ . In particular, the ammonium ion,  $\text{NH}_4^+$ , will give rise to an intense  $[\text{M}+\text{NH}_4]^+$  ion observed at M+18 amu, either through condensation or association. If this resulting ion is unstable, subsequent fragmentation may be observed. The neutral loss of  $\text{H}_2\text{O}$  or  $\text{NH}_3$ , observed as a subsequent loss of 18 or 17 amu, respectively, is also common.

## Charge exchange

Charge-exchange ionization can be described by the reaction:



where  $X^+$  is the ionized reagent gas, and  $M$  is the analyte of interest. Examples of reagent gases used for charge exchange ionization include the noble gases (helium, neon, argon, krypton, xenon, and radon), nitrogen, carbon dioxide, carbon monoxide, hydrogen, and other gases that do not react “chemically” with the analyte. Each of these reagent gases, once ionized, has a recombination energy expressed as:



or simply the recombination of the ionized reagent with an electron to form a neutral species. If this energy is greater than the energy required to remove an electron from the analyte, then the first reaction above is exothermic and thermodynamically allowed.

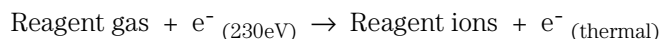
Charge-exchange chemical ionization is not widely used for general analytical applications. It can, however, be used in some cases when other chemical ionization processes are not thermodynamically favored.

## Negative CI theory

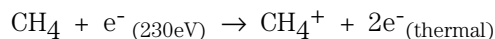
Negative chemical ionization (NCI) is performed with analyzer voltage polarities reversed to select negative ions. There are several chemical mechanisms for negative chemical ionization. Not all mechanisms provide the dramatic increases in sensitivity often associated with negative chemical ionization. The four most common mechanisms (reactions) are:

- Electron capture
- Dissociative electron capture
- Ion pair formation
- Ion-molecule reactions

In all of the cases except the ion-molecule reactions, the reagent gas serves a function different from the function it serves in positive chemical ionization. In negative CI, the reagent gas is often referred to as the buffer gas. When the reagent gas is bombarded with high energy electrons from the filament, the following reaction occurs:



If the reagent gas is methane, the reaction is:

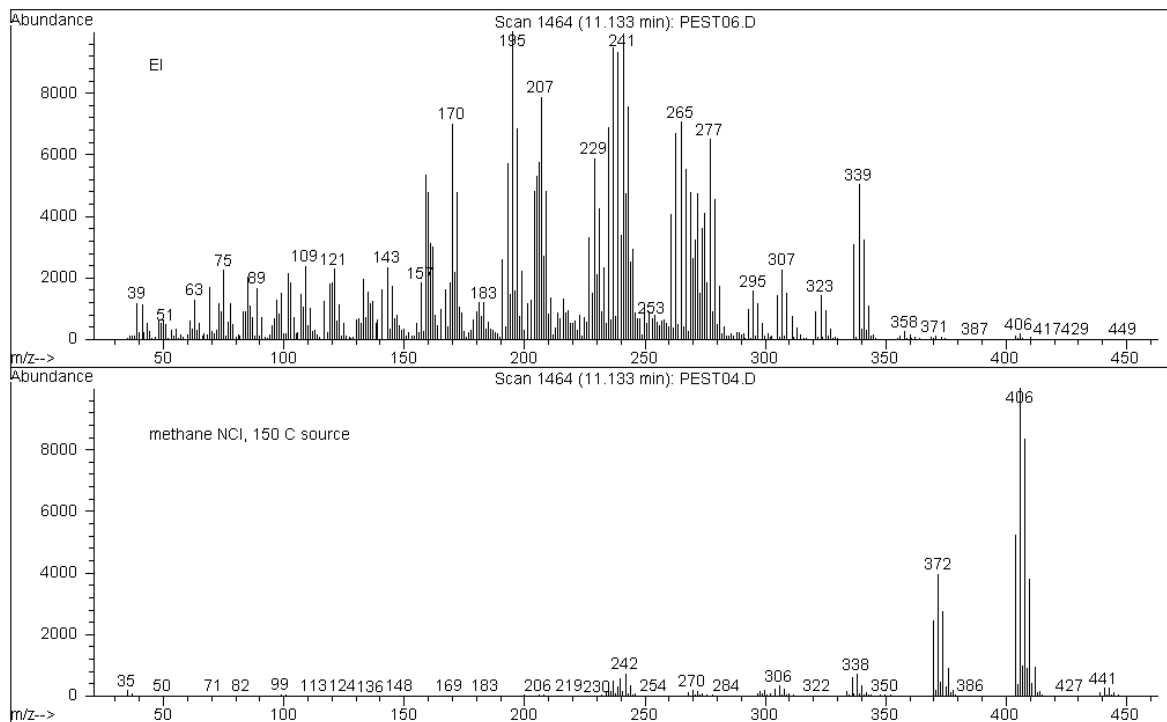


The thermal electrons have lower energy levels than the electrons from the filament. It is these thermal electrons that react with the sample molecules.

There are no negative reagent gas ions formed. This prevents the kind of background that is seen in PCI mode, and is the reason for the much lower detection limits of NCI. The products of negative chemical ionization can only be detected when the MSD is operating in negative ion mode. This operating mode reverses the polarity of all the analyzer voltages.

Carbon dioxide is often used as a buffer gas in negative CI. It has obvious cost, availability, and safety advantages over other gases.

## Endosulfan I (MW = 404): EI and methane NCI



**Negative CI theory****Electron capture**

Electron capture, is the primary mechanism of interest in negative CI. Electron capture (often referred to as high-pressure electron capture mass spectrometry, or HPECMS) provides the high sensitivity for which NCI is known. For some samples, and under ideal conditions, electron capture can provide sensitivity as much as 10 to 1000 times higher than positive ionization.

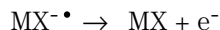
Note that all the reactions associated with positive CI will also occur in NCI mode, usually with contaminants. The positive ions formed do not leave the ion source because of the reversed lens voltages, and their presence can quench the electron capture reaction.

The electron capture reaction is described by:



where MX is the sample molecule and the electron is a thermal (slow) electron generated by the interaction between high energy electrons and the reagent gas.

In some cases, the  $\text{MX}^{\bullet -}$  radical anion is not stable. In those cases the reverse reaction can occur:



The reverse reaction is sometimes called autodetachment. This reverse reaction generally occurs very quickly. Thus, there is little time for the unstable anion to be stabilized through collisions or other reactions.

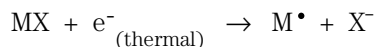
Electron capture is most favorable for molecules that have hetero-atoms. For example: nitrogen, oxygen, phosphorus, sulfur, silicon, and especially the halogens: fluorine, chlorine, bromine, and iodine.

The presence of oxygen, water, or almost any other contaminant interferes with the electron-attachment reaction. Contaminants cause the negative ion to be formed by the slower ion-molecule reaction. This generally results in less sensitivity. All potential contamination sources, especially oxygen (air) and water sources, must be minimized.



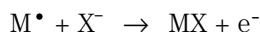
### Dissociative electron capture

Dissociative electron capture is also known as dissociative resonance capture. It is a process similar to electron capture. The difference is that during the reaction, the sample molecule fragments or dissociates. The result is typically an anion and a neutral radical. Dissociative electron capture is illustrated by the reaction equation:



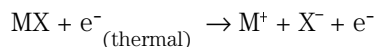
This reaction does not yield the same sensitivity as electron capture, and the mass spectra generated typically have lower abundance of the molecular ion.

As with electron capture, the products of dissociative electron capture are not always stable. The reverse reaction sometimes occurs. This reverse reaction is sometimes called an associative detachment reaction. The equation for the reverse reaction is:



### Ion pair formation

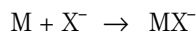
Ion pair formation is superficially similar to dissociative electron capture. The ion pair formation reaction is represented by the equation:



As with dissociative electron capture, the sample molecule fragments. Unlike dissociative electron capture, however, the electron is not captured by the fragments. Instead, the sample molecule fragments in such a way that the electrons are distributed unevenly and positive and negative ions are generated.

**Negative CI theory****Ion-molecule reactions**

Ion-molecule reactions occur when oxygen, water, and other contaminants are present in the CI ion source. Ion-molecule reactions are 2 – 4 times slower than electron-attachment reactions and do not provide the high sensitivity associated with electron capture reactions. Ion-molecule reactions can be described by the general equation:



where  $X^-$  is most often a halogen or hydroxyl group that has been created by ionization of contaminants by electrons from the filament. Ion-molecule reactions compete with electron capture reactions. The more ion-molecule reactions that occur, the fewer electron capture reactions occur.

---

## Numerics

19, large peak at  $m/z$ , in CI MSD, 141  
219 width, 309  
32, visible peak at, in CI MSD, 71, 76, 142  
59864B Gauge Controller, 287  
59864B gauge controller, 63  
5986B Gauge controller, 7

## A

Abrasively cleaning ion source parts, 212  
    parts to be cleaned, 210  
Abundance  
    absolute, 105  
    low for  $m/z$  502, 105  
    relative, 105  
AC board, 326  
Adduct ion, 380  
Adjusting the RF coils, 240  
Air leaks, 118  
    as a source of contamination, 119  
    detecting in CI, 77  
    finding in CI, 126  
    small enough to cause no problems in PCI can  
        destroy NCI sensitivity, 122  
    visible peak at  $m/z$  32 in CI MSD, 142  
Alignment, analyzer and CI interface, checking,  
    250  
Ammonia  
    ballasting of the foreline pump required due to,  
        254  
    maintenance caution, 374  
    PCI spectrum of methyl stearate, 376  
Ammonia reagent gas  
    increased maintenance required, 246  
AMU gain, 308  
AMU offset, 309  
Analyzer, 297 – 315  
    accessing, 56  
    basic components of, 298  
    heaters, 314  
    ion source, 300  
    maintaining, 204  
    mass filter, 308  
    part numbers, 352  
    parts that should not be disturbed, 205  
    radiators, 314  
Analyzer chamber  
    closing, 58  
    opening, 56  
Analyzer chamber pressure  
    effect of column flow on, 47  
    too high, 107  
    too low, 108  
    typical, 47  
Analyzer chamber, diffusion pump, 266  
Analyzer chamber, turbo pump, 267  
Analyzer temperatures, 36  
    recommended, 314  
    setting, 42  
Autotune, 50  
    CI, 78  
    CI, negativemode, 82  
    CI, positive mode, 80  
    column flow and temperatures for, 50  
    relative abundances of  $m/z$  502 produced by  
        different autotunes, 105  
    report generated by, 50  
    viewing tune history, 50  
Auxiliary heated zones, 36

**B**

- Back panel and connectors, 332
- Background, air and water
  - checking for at CI startup, 77
  - checking for at startup, 76
  - effect on NCI sensitivity, 384
  - effect on PCI, 376
  - troubleshooting in CI, 124
- Background, air and water, in CI, 77
- Background, chemical
  - minimizing by avoiding unnecessary tuning, 80, 82, 294
- Background, high, 103, 119
- Ballast control, on foreline pump, 272
- Ballast, foreline pump, 254
- Baseline, chromatographic
  - falling, 100
  - high, 100
  - rising, 100
  - wandering, 101
- BFB tune, 50
- Bleed. *See* Column bleed *or* Septum bleed

**C**

- Cables
  - part numbers for external, 339
  - part numbers for internal, 340
- Calibrant
  - CI calibrant ions not visible, 138
- Calibrant vial, 283
- Calibrant vial, CI
  - refilling, 257
- Calibrant vial, CI, refilling
- Calibration valve, 283
  - O-ring, 270
- Calibration valve, CI, 283, 294
- Calibration valve, EI
  - reinstalling, 192
  - removing, 190

- Calibration vial, EI
  - refilling and reinstalling, 183
  - removing, 181
- Carrier gas
  - contaminated, 119
  - flow, 36
  - purity requirement, 21, 34
  - See also* Column flow
- Cautions, *inside front cover*
- Charge exchange, PCI, 381
- Checklist, pre-operation, 34
- Chemical background
  - effect on NCI, 382
- Chemical ionization
  - hardware overview, 8
  - methane reagent gas, 374
  - molecular ion, 374
  - overview, 374
  - references, 375
  - water contamination, 374
- Chemical residue, hazardous, 157
- ChemStation
  - controlling temperatures with, 36
  - monitoring temperatures and vacuum, 38
  - setting monitors, 40
  - setting the GC/MSD interface temperature, 44
  - using to pump down the CI MSD, 62
  - using to pump down the MSD, 60
  - using to set up methane reagent gas flow, 76
  - using to tune the MSD, 50
  - using to vent the MSD, 54, 68
- Chromatography, abnormal results, 98
- CI autotune, 78
  - Methane PCI only, 80
- CI calibrant vial
  - refilling, 257
- CI calibration valve, 283, 294
- CI filament, 306

- 
- CI interface
    - heater clamp, 233, 292
  - CI interface tip seal, 306
    - installing, 250
  - CI ion source
    - cleaning, 252
    - installing, 248
    - repeller, 306
  - CI maintenance, 245 – 258
  - CI MSD maintenance, 245
    - installing the CI interface tip seal, 250
  - CI operating mode, switching to, 72
  - CI operation, 69
    - CI autotune, 78
    - general guidelines, 70, 72, 247
    - installing the CI ion source, 248
    - NCI autotune, 82
    - PCI autotune, 80
    - setting up methane gas flow, 76
    - setting up the software for, 73
    - start up in methane PCI first, 71
    - typical pressure readings, 87
    - using other reagent gases, 88
    - using the reagent gas flow control module, 74
  - CI reagent gas flow control module
    - see Reagent gas flow control module
  - CI spectra
    - classical, 8
    - endosulfan methane NCI, 383
    - methyl stearate methane and ammonia PCI, 377
  - Cleanliness, importance during maintenance, 204
  - Closing the analyzer chamber, 58
  - Column bleed, 21
    - as a source of contamination, 119
  - Column conditioning
    - assisted by solvent injection, 26
  - Column flow, 36
    - calculating average linear velocity, 48
    - effect on Analyzer chamber pressure, 47
    - for optimum sensitivity, 37
    - maximum for diffusion pump MSD, 20
    - maximum for turbo pump MSDs, 20
    - measuring with the MSD, 36, 48
  - Column installation tool, 30
  - Column nut
    - leaking, 118
    - part numbers, 22, 30
  - Column, capillary
    - preparing for installation, 22
  - Columns
    - conditioning, 21, 26
    - installing, 19 – 31
    - installing in a split/splitless inlet, 24
    - installing in the GC/MSD interface, 28, 30
    - table of size, pressure, and flow, 20
    - tips and hints, 21
    - types that can be used with the MSD, 20
    - See also* Column flow
  - Communication failure, venting the MSD in case of, 68
  - Compression seals, 270
  - Conditioning capillary columns
    - importance of, 21
    - procedure for, 26
  - Conditioning column
    - assisted by solvent injection, 26
  - Conditioning ferrules, 21
  - Connectors, 332
    - foreline pump cord receptacle, 332
    - high vacuum power (HIVAC POWER), 332
    - high vacuum signal (HIVAC SIGNAL), 332
    - power cord receptacle, 332
    - remote start, 332, 334
  - Consumables, part numbers of, 360
-

Contamination, 119  
    avoiding after cleaning the ion source, 204  
    table of common contaminants, 120  
Control panel, 6, 34  
Control panel, reagent gas flow control module,  
    293  
Controller, high vacuum gauge, 63

## D

Data system  
    control over pumpdown, 35  
    controlling temperatures with, 36  
    using to ensure correct venting, 36  
DC polarity, 310  
Detection limits  
    high in PCI, 376  
    lower in NCI, 382  
Detector, 312  
    difficulty with the EM supply, 112  
    electron multiplier horn, 312  
    electron multiplier voltage, 312  
    replacing the horn, 230  
    steadily increasing EM voltage, 313  
Detector focus lens, 312  
DFTPP tune, 50  
Diffusion pump, 276  
    automatic control of, 276, 277  
    effect of low fluid level in, 107  
    error messages related to, 113  
    part numbers, 348  
    reinstalling, 177  
    removing, 173  
    thermal switches, 277  
    *See also* Diffusion pump fluid  
Diffusion pump fluid, 276  
    as a source of contamination, 119  
    checking, 168  
    replace once a year, 152  
    replacing, 175

Disassembling the ion source, 208  
Drawout plate and cylinder, 304  
Drying cleaned ion source parts, 204  
Dummy filament, 306

## E

EI overview, 374  
EI/CI GC/MSD interface. *See* CI interface  
EI/CI GC/MSD interface. *See* CI interface  
  
Electronics, 317 – 335  
    ac board, 326  
    ac-dc board. *See* low voltage power supply  
    danger to from electrostatic discharge, 158,  
        238  
    high voltage (HED) power supply, 331  
    LAN/MS control card, 330  
    locations of major components, 319  
    low voltage power supply, 331  
    main board, 324  
    maintaining, 238  
    part numbers, 339  
    power supplies, 331  
    signal amplifier board, 325  
    status display, 320  
    toroid transformer, 331  
    turbo pump controller, 328  
Electrostatic discharge  
    danger to the electronics from, 158, 238  
    precautions to take against, 205, 238  
EM  
    *See also* Detector  
    *See* Electron multiplier  
EM voltage, 313  
Emergency  
    venting the MSD in case of, 68  
Emission current, 302  
    if there is none, 117  
EMVolts at or above 2600V in NCI autotune, 82  
End plate O-rings, 270

- 
- Endosulfan, EI and NCI spectra, 382
- Entrance lens, 304
- Error messages
- difficulty in mass filter electronics, 112
  - difficulty with the EM supply, 112
  - difficulty with the fan, 113
  - difficulty with the HED supply, 113
  - difficulty with the high vacuum pump, 113
  - foreline pressure has exceeded 300 mTorr, 114
  - internal MS communication fault, 114
  - latched, 112
  - lens supply fault, 114
  - log amplifier ADC error, 114
  - no peaks found, 114
  - temperature control disabled, 115
  - temperature control fault, 115
  - the high vacuum pump is not ready, 116
  - the system is in standby, 116
  - the system is in vent state, 117
  - there is no emission current, 117
  - there is not enough signal to begin tune, 117
  - translating error numbers into messages, 112
- ESD. *See* Electrostatic discharge
- Excessive noise or low signal-to-noise ratio in CI  
MSD, 140
- Exhaust
- oil trap for foreline pump, 166, 272
  - venting the foreline pump, 34
- F**
- Face seals, 270
- Fan, for high vacuum pump, 276, 280
- cleaning, 177
  - incorrect operation of, 113
  - replacing, 194
- Ferrules
- conditioning, 21
  - part numbers, 362
- Ferrules, inlet
- part numbers, 22
- Ferrules, interface
- part numbers, 30
- Filaments, 302
- care, 303
  - electron energy, 302
  - emission current, 302
  - parameters affecting, 302
  - reinstalling, 220
  - removing, 218
  - selection, 302
- Flow control display, reagent gas flow control  
module, 293
- Flow control module, 293
- schematic, 295
  - state diagram, 74, 296
- Flow rate. *See* Column flow
- Foreline gauge, 274
- reinstalling, 188
  - removing, 186
  - See also* Foreline pressure
- Foreline pressure
- exceeding 300 mTorr, 114
  - monitoring, 35, 38, 40
  - too high, 107
  - too low, 108
  - typical, 38
-

- Foreline pump, 272
  - ammonia use requires frequent oil changes, 254
  - ballast control, 272
  - ballasting in ammonia CI MSD, 254
  - effect of low oil level, 107
  - failure to turn on, 97
  - incorrect operation, 97
  - minimizing damage from ammonia reagent gas, 254
  - oil trap, replacing, 166
  - part numbers, 346
  - power cord receptacle, 332
  - turned off during pumpdown, 97
  - venting the exhaust, 34, 157, 272
  - vibration, 272
  - See also* Foreline pump oil
- Foreline pump oil
  - adding and checking, 160
  - as a source of contamination, 119
  - draining, 162
  - refilling the pump with, 164
  - replace every 6 months, 152
- Foreline pump power cord receptacle, 332
- Foreline trap. *See* Oil trap
- Foreline vacuum gauge. *See* Foreline gauge
- Front panel. *See* Status Display
- Fuses
  - on the back panel, 332
  - part numbers, 339
  - replacing the primary fuses, 242
- G**
  - Gas purifier, methane/isobutane
    - replacing, 255
  - Gauge controller, 287
    - abnormal or blank display, 46, 86, 108
    - indicated vs. actual pressure, 46, 86, 287
    - monitoring pressure with, 35, 46, 86
    - overpressure shutdown, 47
    - power indicator does not light, 109
    - pressure range, 46, 86
    - relative sensitivity to different gases, 86
  - Gauge Controller, 59864B, 287
  - Gauge controller, connecting, 63
  - Gauge controller, required for CI, 7
  - Gauge tube. *See* Triode gauge tube
  - GC
    - components responsible for air leaks, 118
    - does not turn on, 96
    - sources of contamination in, 119
  - GC interface. *See* GC/MSD interface
  - GC keypad, setting GC/MSD interface temperature from, 67
  - GC/MSD interface, 289 – 296
    - failure to heat up, 111
    - heated zone controlling, 290
    - heater, 36, 290
    - maintaining, 232
    - part numbers, 358
    - reinstalling a heater and sensor, 236
    - removing the heater and sensor, 234
    - See also* GC/MSD interface temperature sensor (thermocouple), 290
  - GC/MSD interface temperature, 36
    - range, 290
    - setting from the ChemStation, 44
    - setting from the GC, 67
  - GC/MSD interface, CI, 292
    - tip seal, 292
  - GC/MSD interface, CI. *See* CI interface
  - Grounded wrist strap, 158



---

**H**

Half-splitting, to find air leaks in CI MSD, 126  
Heater clamp, CI interface, 233, 292  
Heaters  
    GC/MSD interface, reinstalling, 236  
    GC/MSD interface, removing, 234  
    heated zone used to power the GC/MSD interface heater, 36  
    ion source, reinstalling, 224  
    ion source, removing, 222  
    mass filter, reinstalling, 228  
    mass filter, removing, 226  
    setting temperature monitors, 40  
    viewing temperature and vacuum status, 38  
HED, 312  
    difficulty with the HED power supply, 113  
HED feedthrough  
    seal, 271  
HED power supply, 331  
High electron multiplier voltage in CI MSD, 147  
High pressure electron-capture mass spectrometry. *See* Negative CI  
High vacuum gauge  
    installing, 198  
    relative sensitivity to different gases, 86  
    removing, 196  
High vacuum pump  
    difficulty with, 113  
    diffusion pump, 276  
    not ready, 116  
High vacuum. *See* Vacuum manifold pressure  
High voltage feedthrough. *See* HED feedthrough  
History, Autotune, 50  
Horn, electron multiplier, 312  
HPECMS. *See* Negative CI  
Hydride abstraction, 380  
Hydrogen carrier gas  
    danger of ignition by triode gauge tube, 46, 86  
    flow turned off while MSD is vented, 34  
    hazards during pumpdown, 35, 60

**I**

Indicated pressure, 287  
Installing GC columns, 19 – 31  
Interface socket  
    reinstalling, 214  
    removing, 208  
Interface tip seal, CI  
    installing, 250  
Interface. *See* CI interface  
Interface. *See* GC/MSD interface  
Interfacing to external devices, 334  
    start run input, 335  
    system ready signal, 335  
Ion focus, 304  
Ion source, 300  
    body, 300  
    cleaning, 210 – 213  
    disassembling, 208  
    drawout plate and cylinder, 304  
    drying cleaned parts, 212  
    entrance lens, 304  
    filament care, 303  
    filament, reinstalling, 220  
    filament, removing, 218  
    filaments, 302  
    heater, 314  
    heater and sensor, reinstalling, 224  
    heater and sensor, removing, 222  
    ion focus lens, 304  
    magnet, 303  
    part numbers, 354  
    parts that should not be cleaned, 210  
    reassembling, 214  
    reinstalling, 216  
    removing, 206  
    repeller, 303

Ion source temperature, 36  
  setting, 42  
  setting a monitor for, 40  
  viewing, 38

Ion source, CI  
  cleaning, 252  
  installing, 248

Ion source, CI. *See* CI ion source

Isolation valve, 294

## K

KF seals, 270  
  part numbers, 344

## L

LAN (I/O) connector, 332

LAN/MS control card, 330  
  interfacing to external devices, 334  
  RAM on, 330  
  remote control processor, 334

Line voltage  
  symptoms of incorrect or missing, 96, 108

Log amplifier. *See* Signal amplifier

Low sensitivity  
  at high masses, 106  
  general, 102

Low signal-to-noise ratio in CI MSD, 140

Low voltage (ac-dc) power supply, 331

Lubricating  
  side plate O-ring, 200  
  vent valve O-ring, 202

## M

*m/z*, 308

*m/z* 14 and 16, symptoms of a large air leak, 104

*m/z* 18, 28, 32, and 44, symptoms of an air leak, 104

*m/z* 502, low or decreasing abundance of, 105

Maintenance, 151 - 244

  analyzer, 204

  analyzer chamber, opening, 56

  avoiding dangerous voltages during, 155

  calibration vial, removing, 181

  CI calibrant vial refilling, 257

  CI gas purifier replacing, 255

  CI interface tip seal installing, 250

  CI ion source cleaning, 252

  CI ion source installing, 248

  CI MSD, 245

  cleaning reagent gas supply tubing, 256

  dangerous voltages, 155

  dangerously hot parts, 156

  diffusion pump fluid, checking, 168

  diffusion pump fluid, replacing, 175

  diffusion pump, reinstalling, 177

  diffusion pump, removing, 173

  EI calibration valve, refilling, 192

  EI calibration valve, removing, 190

  EI calibration vial, refilling, 183

  EI calibration vial, reinstalling, 183

  electron multiplier horn, replacing, 230

  electronics, 238

  fan, high vacuum pump, replacing, 194

  filament, reinstalling, 220

  filament, removing, 218

  foreline gauge, reinstalling, 188

  foreline gauge, removing, 186

  foreline pump in CI, 254

  foreline pump oil, draining, 162

  foreline pump, refilling, 164

  GC/MSD interface, 232

  GC/MSD interface heater and sensor, reinstalling, 236

- 
- GC/MSD interface heater and sensor, removing, 234
  - increased need for ion source cleaning in CI MSD, 246
  - ion source heater and sensor, reinstalling, 224
  - ion source heater and sensor, removing, 222
  - ion source, disassembling, 208
  - ion source, reassembling, 214
  - ion source, reinstalling, 216
  - ion source, removing, 206
  - mass filter (quadrupole), 311
  - mass filter heater and sensor, reinstalling, 228
  - mass filter heater and sensor, removing, 226
  - methane/isobutane gas purifier, 255
  - primary fuses, replacing, 242
  - purging the calibration valve after refilling the calibrant vial, 185
  - reconnecting the MSD to the GC, 179
  - refilling the CI calibrant vial, 257
  - RF coils, adjusting, 240
  - safety during, 155 – 158
  - schedule, 152
  - separating the MSD from the GC, 171
  - side plate O-ring, lubricating, 200
  - supplies for, 154
  - tools for, 153, 361
  - triode gauge tube, reinstalling, 198
  - triode gauge tube, removing, 196
  - vacuum system, 159
  - vent valve O-ring, lubricating, 202
  - Maintenance CI, ?? – 258
  - Malfunctions. *See* Symptoms of malfunctions
  - Manual tune, 50
  - Mass assignments, incorrect, 104
  - Mass filter
    - 219 width, 309
    - amu gain, 308
    - amu offset, 309
    - dc polarity, 310
    - dc voltage, 308
    - difficulty with the mass filter electronics, 112
    - heater, 314
    - heater and sensor, reinstalling, 228
    - heater and sensor, removing, 226
    - maintenance, 311
    - mass (axis) offset, 310
    - parameters, 308
    - radiator, 314
    - RF voltage, 308
  - Mass filter temperature
    - monitor, 40
    - setting, 42
    - viewing, 38
  - Mass gain, 310
  - Mass offset, 310
  - Mass spectra
    - high abundances at  $m/z$  18, 28, 32, and 44 or at  $m/z$  14 and 16, 104
    - high background, 103
    - inconsistent peak widths, 104
    - incorrect mass assignments, 104
    - isotopes missing or ratios are incorrect, 103
    - precursors, 104
  - Mass-to-charge ratio, 308
  - Methane
    - PCI methyl stearate spectrum, 376
    - setting up gas flow, 76
  - Methane/isobutane gas purifier, 8
    - replacing, 255
  - Methyl stearate, spectra for methane and ammonia PCI, 376
  - Mist filter, for foreline exhaust, 272
-

Monitoring

- foreline pressure, 38
- turbo pump speed, 38
- vacuum manifold pressure, 46

Monitoring/Analyzer chamber pressure, 86

Monitors, 40

Moving the MSD, 65

MS error numbers, 112

MSD

- dangerous voltages in, 155
- dangerously hot parts in the, 156
- does not turn on, 96
- electronics, 317 – 335
- hazards from chemical residue, 157
- interfacing to external devices, 334
- maintaining, 151 – 244
- measuring column flow with the, 48
- moving or storing, 65
- operating, 33 – 68
- troubleshooting, 93 – 119

**N**

NCI. *See* Negative CI

Negative CI

- analyzer voltage polarities reversed, 382
- autotune, 82
- buffer gas, 382
- dissociative electron capture, 385
- effect of contamination, 384
- electron capture, 384
- ion pair formation, 385
- ion-molecule reactions, 386
- sensitivity, 384
- theory, 382
- thermal electrons, 382

NH<sub>3</sub>, preventing damage to the foreline pump due to, 254

No peaks in CI MSD, 133

Noise declaration, *inside front cover*

**O**

Oil drip tray, for foreline pump, 272

Oil trap, 272

- replacing, 166

Oil tray, for foreline pump, 272

On/off switch. *See* Power switch

Opening the analyzer chamber, 56

Operating the MSD, 33 – 67

Operation

- switching from EI to CI, 72

Ordering parts, 338

O-rings and O-ring assemblies, 270

- part numbers, 344

Oxygen, effect of on column bleed, 21

**P**

Part numbers, *inside front cover*

- See also* Parts

Parts, 337 – 372

- analyzer, 352
- CI interface, 370
- consumables, 360
- diffusion pump vacuum system, 348
- electronic, 339
- external cables, 339
- ferrules, 362
- foreline pump, 346
- GC/MSD interface, 358, 370
- if you cannot find a part you need, 338
- ion source, 354
- maintenance supplies, 361
- miscellaneous, 363, 365, 366, 368, 370
- ordering, 338
- O-rings and O-ring assemblies, 344
- printed circuit boards, 342
- rebuilt assemblies, 338
- samples, 363, 365, 366, 368, 370
- seals, 344
- turbomolecular pump vacuum system, 350
- vacuum system, 344

- 
- Parts, replacement, 337
- PCI. *See* Positive CI
- Peak widths, inconsistent, 104
- Peaks
- at  $m/z$  18, 28, 32, and 44 or at  $m/z$  14 and 16, 104
  - flat tops, 100
  - fronting, 99
  - inconsistent widths, 104
  - missing, 98, 114
  - precursors, 104
  - split tops, 100
  - tailing, 99
- PFDTD
- avoiding persistent background of, 80, 82, 294
  - not visible, but reagent ions are present, 138
- PFDTD (perfluoro-5,8-dimethyl-3,6,9-trioxidodecane), 283
- PFTBA (perfluorotributylamine), 283
- Physical description of MSD, 6
- Polarity (dc), of the mass filter, 310
- Positive CI
- addition, 380
  - charge exchange, 381
  - hydride abstraction, 380
  - reagent ion background, 376
  - theory, 376
- Power cord
- ac, 332
  - foreline pump, 332
  - receptacle, 332
- Power supplies
- high voltage (HED), 331
  - low voltage (ac-dc), 331
- Power switch, 320
- Pressure
- analyzer chamber pressure too high, 107
  - analyzer chamber pressure too low, 108
  - CI ion source, 306, 376
  - does not change when reagent gas flow is changed, 131
  - foreline pressure too high, 107
  - foreline pressure too low, 108
  - indicated vs. absolute, 46, 86
  - Ion source, for CI, 8
  - monitoring, 35
    - analyzer chamber**, 86
  - monitoring analyzer chamber, 46, 86
  - monitoring foreline, 38
  - monitoring vacuum manifold, 46
  - symptoms indicating malfunctions, 107
  - too high in analyzer chamber with reagent gas flow, 130
  - too high in analyzer chamber without reagent gas flow, 129
  - typical analyzer chamber pressure for various carrier gas flows, 47
  - typical vacuum manifold pressure for various carrier gas flows, 274, 277
- Pressure gauge
- See* Triode gauge tube
- Printed circuit boards, part numbers, 342
- Proton affinity
- importance in PCI, 378
  - organic compound table, 379
  - reagent gas table, 379
- Proton transfer, 378
- Pump
- exhaust, venting, 157
- Pump oil drip tray, 272
- Pump, foreline
- failure to turn on, 97
  - turned off during pumpdown, 97
-

Pumpdown  
failure, 328  
procedure, 60, 62  
procedure for CI MSD, 62  
safety shutdown, 261  
waiting for thermal equilibrium after, 61  
Pumpdown safety shutdown, 328  
Pumping problem, 328  
Pumps turned off, 261, 328

## Q

Quad temperature, 36  
*See also* Mass filter temperature  
Quadrupole. *See* Mass filter  
Quick Tune, 50

## R

Radiators, 314  
Reagent gas  
ammonia, using, 90  
carbon dioxide, using for NCI buffer gas, 91  
CI theory overview, 374  
cleaning supply tubing, 256  
delay in turning on, 295  
isobutane, using, 90  
no negative ions, 382  
plumb methane to Gas A, 293  
plumbing into the CI interface, 292  
using other reagent gases, 88  
Reagent gas flow control module, 293  
Gas A, always methane, 293  
Gas Off, 293  
isolation valve, 294  
mass flow controller, 293  
operating, 74  
schematic, 295  
state diagram, 74, 296  
VCR fittings, 293

Reagent gas ions  
not visible, 135  
Relative abundance, 105  
Remote start connector, 332, 334  
Repeatability, poor, 102  
Repeller  
parts for, 356  
Repeller, CI, 306  
Replacing parts. *See* Maintenance

## S

Safety  
covers, 155  
during maintenance, 155 – 158  
Samples, 363, 366, 368, 370  
part numbers, 363, 365, 366, 368, 370  
Seals  
vacuum, 270, 344  
*See also* O-rings and O-ring assemblies  
Sensitivity of high vacuum gauge to different gases,  
86  
Sensitivity  
poor, 102  
poor at high masses, 106  
verifying NCI performance, 85  
verifying PCI performance, 84  
Septum bleed, as a source of contamination, 119  
Septum, leaking, 118  
Sequencing, not appropriate for CI methods using  
different reagent gases or gas flows, 70  
Service agreements, *inside back cover*  
Shutdown. *See* Venting  
Side plate  
lubricating the O-ring, 200  
O-ring, 270  
thumbscrews, 268  
Signal amplifier board, 325  
Signal, not enough to begin tune, 117

- 
- Smartcard III. *See* LAN/MS control card
- Software
- using to pump down the MSD, 60
- Solvent peak
- effect if analyzer is on, 112, 113
  - effect on triode gauge, 108
- Specifications, sensitivity, 84, 85
- Standard Tune, 50
- Startup
- failure of the MSD to, 96
  - methane pre-tune showing acceptable levels of air and water, 77
  - See also* Pumpdown
  - setting up methane flow, 76
  - setting up the software for CI operation, 73
  - too much air and water, 77
- State diagram, reagent gas flow control module, 74, 296
- Static discharge. *See* Electrostatic discharge
- Status display, 320
- Storing the MSD, 65
- Supplies
- for maintaining the MSD, 154
- Switch, power. *See* Power switch
- Switching
- from CI to EI operating mode, 92
  - from EI to CI operating mode, 72
- Switching, between EI and CI, 8
- Symptoms of malfunctions
- analyzer chamber pressure is too high, 107
  - baseline is falling, 100
  - baseline is high, 100
  - baseline is rising, 100
  - baseline wanders, 101
  - can not complete CI autotune, 148
  - chromatographic symptoms, 98 – 102
  - difficulty in mass filter electronics, 112
  - difficulty with the EM supply, 112
  - difficulty with the fan, 113
  - difficulty with the HED supply, 113
  - difficulty with the high vacuum pump, 113
  - error messages, 112 – 117
  - excessive noise or low signal-to-noise ratio in CI MSD, 140
  - foreline pressure has exceeded 300 mTorr, 114
  - foreline pressure is too high, 107
  - foreline pressure is too low, 108
  - foreline pump is not operating, 97
  - gauge controller displays 9.9+9 and then goes blank, 108
  - GC does not turn on, 96
  - GC/MSD interface will not heat up, 111
  - general symptoms, 96 – 97
  - high abundances at  $m/z$  18, 28, 32, 44 or at  $m/z$  14 and 16, 104
  - high analyzer chamber pressure with reagent gas flow, 130
  - high background, 103
  - high electron multiplier voltage in CI MSD, 147
  - high mass sensitivity is poor, 106
  - internal MS communication fault, 114
  - ion source will not heat up, 110
  - isotopes missing or ratios are incorrect, 103
  - large peak at  $m/z$  19 in CI MSD, 141
  - lens supply fault, 114
  - log amplifier ADC error, 114
  - mass filter (quad) heater will not heat up, 111
  - mass spectral symptoms, 103 – 106
  - MSD does not turn on, 96
  - MSD is on but foreline pump is not running, 97
  - no or low PFDTD signal, but reagent ions are normal, 138
  - no or low reagent gas signal, 135
  - no peaks, 98, 114
  - no peaks in CI MSD, 133
  - peak at  $m/z$  32 in CI MSD, 142
  - peak widths are inconsistent, 104
  - peak widths are unstable in CI MSD, 149
  - peaks are fronting, 99
  - peaks are tailing, 99
-

peaks have flat tops, 100  
peaks have precursors, 104  
peaks have split tops, 100  
poor repeatability, 102  
poor sensitivity, 102  
poor vacuum without reagent gas flow, 129  
power indicator on the gauge controller does not light, 109  
pressure does not change when reagent gas flow is changed, 131  
pressure symptoms, 107 – 109  
pressure-related symptoms, overview (CI), 128  
reagent gas ion ratio is difficult to adjust or unstable, 145  
relative abundance of  $m/z$  502 less than 3%, 105  
retention time drifts (all peaks), 101  
signal-related symptoms, overview, 132  
temperature control disabled, 115  
temperature control fault, 115  
temperature symptoms, 110 – 111  
the high vacuum pump is not ready, 116  
the system is in standby, 116  
the system is in vent state, 117  
there is no emission current, 117  
tuning-related symptoms overview for CI MSD, 144  
System ready signal, 335

## T

Target tune, 50  
Temperature sensors  
    GC/MSD interface, reinstalling, 236  
    GC/MSD interface, removing, 234  
    in the MSD analyzer, 36  
    ion source, reinstalling, 224  
    ion source, removing, 222  
    mass filter, reinstalling, 228  
    mass filter, removing, 226  
Temperatures, controlled through the MSD Chem-Station, 36  
Thermal Aux #2, 290  
Thermal electrons, in NCI, 382  
Thermal equilibrium, time to reach, 314  
Tipping the MSD, caution against, 66  
To, 68, 72, 248, 254  
Tools, for maintaining the MSD, 361  
Toroid transformer, 331  
Transfer line. *See* GC/MSD interface  
Transformer, toroid, 331  
Trap. *See* Oil trap  
Triode gauge tube, 285  
    baffle in stem, 285  
    connecting a gauge controller to, 63  
    ignition of hydrogen by, 46, 86, 285, 287  
    implosion hazard, 46, 86  
    monitoring high vacuum pressure, 46, 86  
    reinstalling, 198  
    removing, 196  
    shield, 285  
    turning on, 46, 86  
Troubleshooting, 93 – 119, 121  
    air leaks, determining presence of leak, 124  
    air leaks, finding location of leak, 126  
    common CI-specific problems, 122  
    *See also* Symptoms of malfunctions  
    tips and tricks, 95, 123  
Tube, triode gauge, 285  
Tune report, 50



- 
- Tuning, 50  
cannot begin, 117  
compound, 283  
*See also* Autotune  
*See also* the online help in the software
- Turbo pump controller, 328
- Turbomolecular (turbo) pump  
monitoring the speed of, 38, 40  
part numbers, 350
- Turn on  
failure of the MSD to, 96  
*See also* Pumpdown  
*See* Pumpdown
- U**
- Ultrasonic cleaning of ion source parts, 212
- V**
- Vacuum gauge  
*See* Foreline gauge  
*See* Triode gauge
- Vacuum gauge controller  
monitoring pressure with, 86
- Vacuum manifold  
diffusion pump version, 266  
turbo pump version, 267
- Vacuum manifold pressure  
monitoring, 46  
typical, 274, 280
- Vacuum seals, 270  
part numbers, 344
- Vacuum system, 259 – 288  
determining type, 20  
diffusion pump system overview, 264  
maintaining, 159  
maintenance schedule, 152, 159  
overview, 260  
part numbers, 344  
status, monitoring, 38, 40  
turbo pump system overview, 265
- Valve  
calibration, 283  
CI calibration, 283, 294  
gas select valves, 293  
isolation, 294  
purge, 293  
vent, 283  
vent, proper operation of, 55
- VCR fittings, 293  
causing leaks by loosening, 126
- Vent cycle  
*See* Venting
- Vent cycle. *See* Venting
- Vent program. *See* Venting
- Vent valve, 283  
lubricating the O-ring, 202
- Venting  
ChemStation control of, 34  
damage to MSD from incorrect, 36  
if ChemStation is not working, 68  
normal, 54  
preparing the MSD for, 55  
proper use of the vent valve, 55  
Top view turns on interface heater, 55
- Vial  
calibrant, 283  
*See also* Calibrant vial
- Vial, calibrant  
caution against solvent use, 257
- Vial, Calibrant, CI  
caution to purge calibration valve after refilling,  
257
- Voltages, dangerous, 155
-

### W

Warnings, *inside front cover*

Warranty claims, *inside back cover*

Warranty, *inside back cover*

Water

contamination of CI systems by, 374

detecting in CI, 77, 141

Wid219 parameter, 309

Wiring, dangerous voltages on, 155

---

## Warranty

Agilent Technologies warrants its Analytical products against defects in materials and workmanship for the warranty period. During the warranty period, Agilent Technologies will, at its option, repair or replace products which prove to be defective. Products that are installed by Agilent Technologies are warranted from the installation date, all others from the date of delivery.

If Buyer schedules or delays installation more than 30 days after delivery, then warranty period starts on 31st day from the date of shipment. For international orders, the grace period is 60 days and the warranty period starts on the 61st day from the date of shipment.

Agilent Technologies software and firmware products which are designated for use with a hardware product, when properly installed on that hardware product, are warranted not to fail to execute their programming instructions due to defects in materials and workmanship. If Agilent Technologies receives notice of such defects during the warranty period, it shall repair or replace software media and firmware which do not execute their programming instructions due to such defects. Agilent Technologies does not warrant that the operation of the software, firmware or hardware shall be uninterrupted or error free.

Within Agilent Technologies service travel areas, warranty and installation services for products installed by Agilent Technologies and certain other products designated by Agilent Technologies will be performed at Buyer's facility at no charge. For installation and warranty services outside of Agilent Technologies's service travel area, Agilent Technologies will provide a quotation for the applicable additional services.

The foregoing warranty shall not apply to defects resulting from:

1. Improper or inadequate maintenance, adjustment, calibration or operation by Buyer.
2. Buyer-supplied software, hardware, interfacing or consumables.
3. Unauthorized modifications or misuse.
4. Operation outside of the environmental and electrical specifications for the product.
5. Improper site preparation and maintenance.
6. Customer-induced contamination or leaks.

This warranty may be modified in accordance with the laws of your country. Please consult your local Agilent Technologies office for the period of the warranty, for shipping instructions and for the applicable wording of the local warranty.

## Warranty Claims

If physical damage is found, or if operation is not as specified when the instrument is first received, notify the carrier and the nearest Agilent Technologies office immediately. The Agilent Technologies office will arrange for repair or replacement of the instrument without waiting for settlement of a claim with the carrier. For other than initial inspection warranty claims, contact your local Agilent Technologies office.

## Service Agreements

Several service agreements are available, each designed to meet a specific need. In addition to a preventive maintenance agreement, others cover specific repair/maintenance services for the 5973 Mass Selective Detector, and can provide for the extension of warranty beyond the initial warranty period.

Details of these agreements, together with prices applicable to the particular installation, can be obtained from your local Agilent Technologies office.

## Power Specifications

- 120 V ac 60 Hz or 220/240 V ac 50 Hz, single-phase, nominal
- 850 VA (diffusion pump) or 700 VA (turbomolecular pump)
- Main supply voltage not to exceed  $\pm 10\%$  of the nominal voltage
- IEC Transient Overvoltage Category (Overvoltage Category) II
- IEC pollution Degree 2

## Environmental Specifications

- Indoor use
- Altitude up to 4000 meters
- Operating environment: 15° to 35°C at constant temperature (constant temperature =  $\pm 2^\circ\text{C}$  per hour)
- Operating humidity: 25 to 50% relative humidity  
Non-operating humidity: 10 to 95% relative humidity, non-condensing



**Agilent Technologies**

Innovating the HP Way



Manual Part Number  
G2589-90001



Printed on recycled paper

Copyright © 1999  
Agilent Technologies  
Printed in USA 11/99