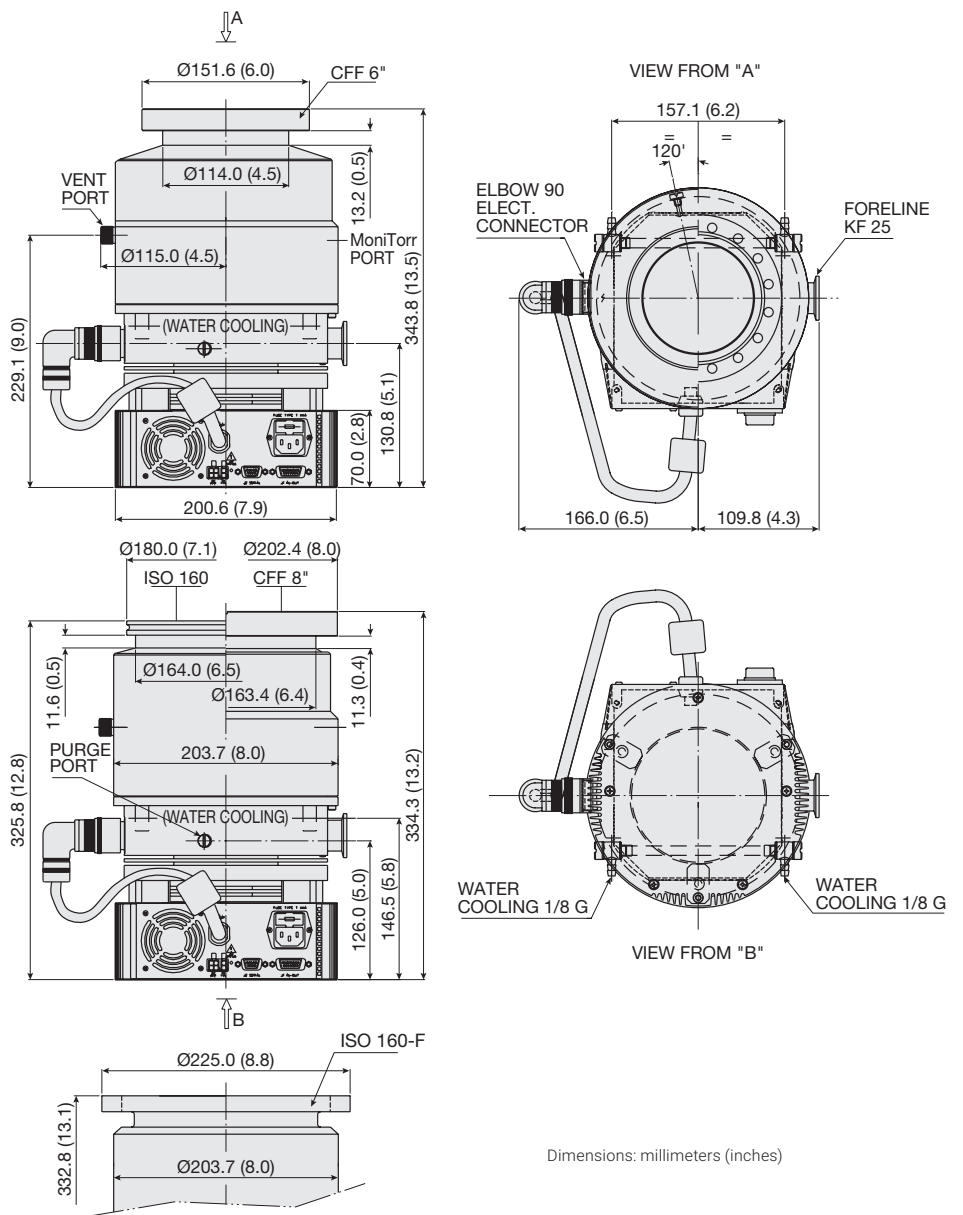


# Agilent Turbo-V 551 Navigator Pump



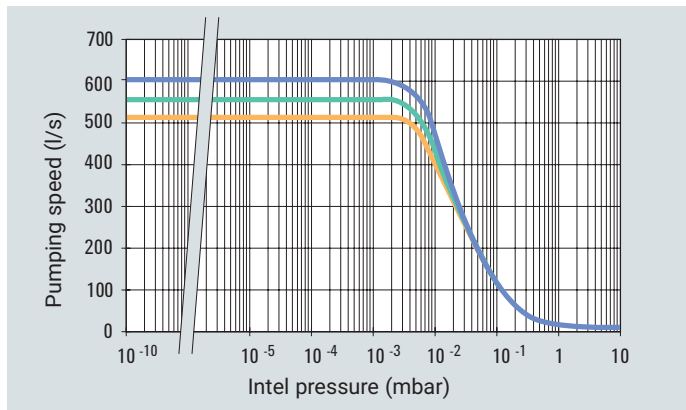
Outline Drawing

# Technical Specifications

Pumping speed (with inlet screen)			
CFF 6"	N <sub>2</sub> : 350 l/s	He: 450 l/s	H <sub>2</sub> : 450 l/s
CFF 8" or ISO 160	N <sub>2</sub> : 550 l/s	He: 600 l/s	H <sub>2</sub> : 510 l/s
Compression ratio	N <sub>2</sub> : 1 x 10 <sup>9</sup>	He: 1 x 10 <sup>7</sup>	H <sub>2</sub> : 1 x 10 <sup>6</sup>
Base pressure * (with minimum recommended forepump)	<1 x 10 <sup>-10</sup> mbar (< 1 x 10 <sup>-10</sup> Torr)		
Inlet flange	CFF 6"	ISO 160	
	CFF 8"	ISO 160-F bolted	
Foreline flange	KF 25		
Rotational speed	42,000 rpm		
Start-up time	<5 minutes		
Recommended forepump	Mechanical: Agilent DS 302		
	Dry scroll: Agilent TS300, IDP-15		
Operating position	Any		
Cooling requirements	Natural air convection		
	Water optional (use water with electrical conductivity ≤ 500 μS/cm)		
Bakeout temperature	120 °C at inlet flange max. (CF flange)		
	80 °C at inlet flange max. (ISO flange)		
Vibration level (displacement)	<0.01 μm at inlet flange		
Weight kg (lbs)	ISO flange 19.4 (43.0)		
	CF flange 23.4 (51.6)		
	CF and ISO bolted flange 23.4 (51.6)		

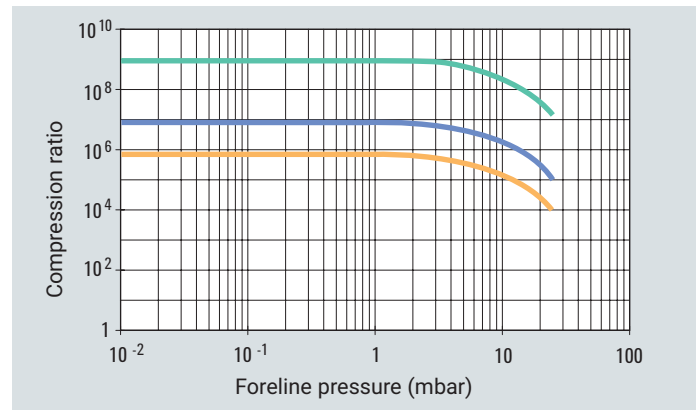
\* According to PNEUROF 5608.

## Pumping Speed



— Nitrogen — Helium — Hydrogen

## Compression Ratio



— Nitrogen — Helium — Hydrogen

## Ordering Information

Description	Weight kg (lbs)	Part Number
<b>Pumps</b>		
Turbo-V 551 Navigator pump, ISO 160 flange	16.0 (35.0)	9698922
Turbo-V 551 Navigator pump, ISO 160-F bolted flange	22.0 (49.0)	9698944
Turbo-V 551 Navigator pump, 6" CF flange	22.0 (49.0)	9698925
Turbo-V 551 Navigator pump, 8" CF flange	22.0 (49.0)	9698923

SEM versions available on request

<b>Controllers</b>		
Turbo-V 551 Navigator controller 120/220 V - 50/60 Hz	3.0 (6.0)	9698976
Turbo-V 551 Rack controller, 100-240 V	15.7 (35.0)	X3501-64001
<b>Accessories</b>		
Mains cable NEMA plug, 3 m long		9699958
Mains cable European plug, 3 m long		9699957
Serial cable (A-plus Software available for download on Agilent.com *)		9699883
Inlet screen DN 100		9699302
Inlet screen DN 160		9699304
Water cooling kit		9699337
Plastic water cooling kit		9699347
Air cooling kit for use with Navigator controller		9699339
Air cooling kit for use with standard rack controller, 24 V		X3501-68001
Bracket for Navigator controller side mouting		9699349
Vibration damper CFF 6"	3.0 (7.0)	9699334
Vibration damper ISO 160	4.0 (9.0)	9699345
Vibration damper CFF 8"	4.0 (9.0)	9699335
Vent flange, NW 10 KF / M8		9699108
Vent valve kit for standard rack controller, 24 V		X3501-68002
Vent valve for Navigator controller		9699834
Purge valve 10 SCCM NW16KF - M12		9699239
Purge valve 10 SCCM ¼ Swagelok - M12		9699240

\* A-plus software available at:  
[https://www.agilent.com/cs/library/software/public/APlusSetup\\_v2.0.2.zip](https://www.agilent.com/cs/library/software/public/APlusSetup_v2.0.2.zip)

DE02151226

This information is subject to change without notice.

© Agilent Technologies, Inc. 2023  
 Printed in the USA, March 6, 2023  
 5994-6070EN

## Contact information

### Americas

Agilent Technologies  
 121 Hartwell Avenue,  
 Lexington, MA 02421 USA  
 Toll free: +1 800 882 7426  
[vpl-customer@agilent.com](mailto:vpl-customer@agilent.com)

### Europe, Middle East, Africa, India

Agilent Technologies Italia SpA  
 Via F.lli Varian 54,  
 10040 Leini (Torino), Italy  
 Tel: +39 011 9979 111  
 Toll free: 00 800 234 234 00  
[vpt-customer@agilent.com](mailto:vpt-customer@agilent.com)

### China

Beijing Office Agilent Technologies (China) Co. Ltd.  
 No.3, Wang Jing Bei Lu,  
 Chao Yang District,  
 Beijing, 100102, China  
 Toll free: 800 820 6778  
[Contacts.vacuum@agilent.com](mailto:Contacts.vacuum@agilent.com)

For more information, please contact your Agilent representative or visit [www.agilent.com/chem/vacuum](http://www.agilent.com/chem/vacuum) where you can chat live with a vacuum expert.

